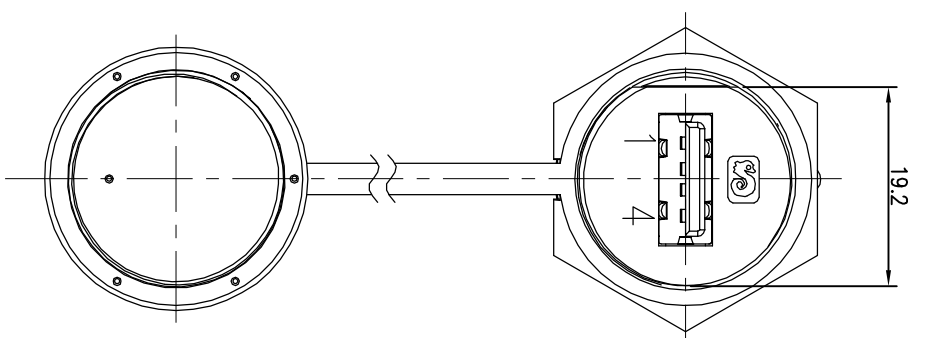
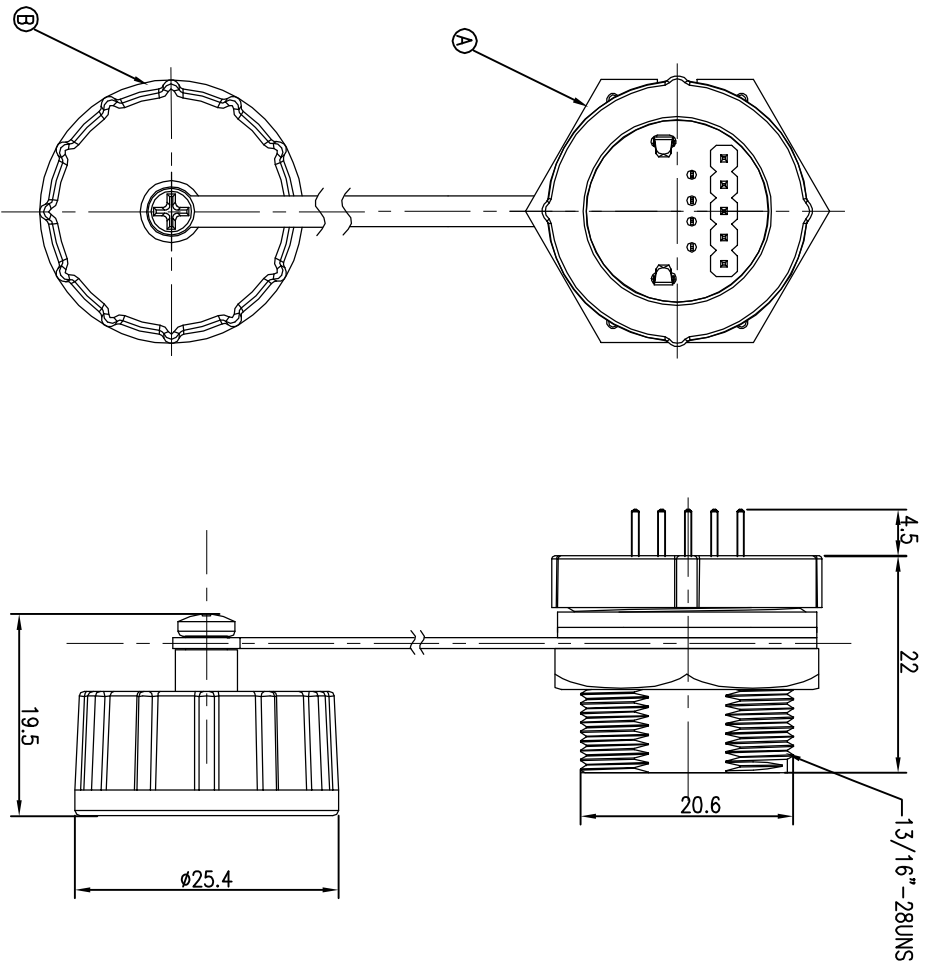
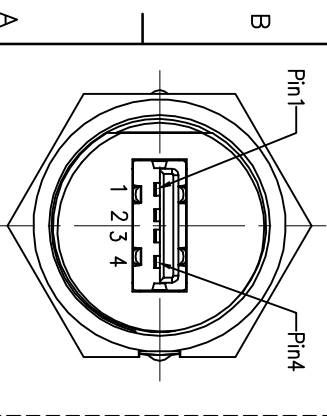
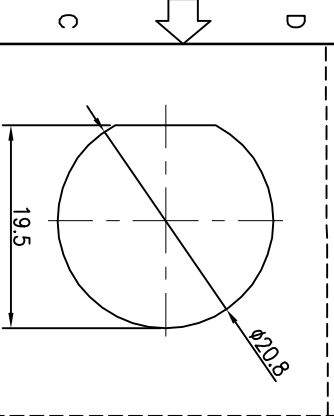
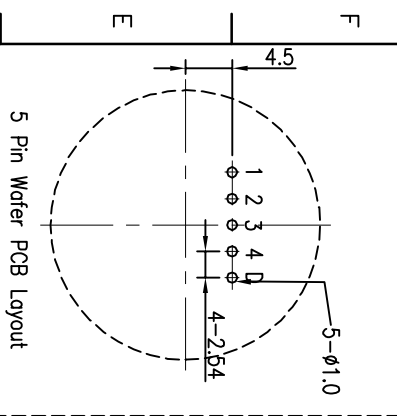


REV	ECN NO	OR DESCRIPTION	REVISED	DATE
A	PDR NO.:T140527-3A		Vicky	2014.05.29



- NOTES:
- ELECTRICAL CHARACTERISTICS:
 - 1-1 CURRENT RATING: 1.0 AMPS.
 - 1-2 CONTACT RESISTANCE: 3 Ohm Max.
 - 1-3 INSULATION RESISTANCE: 30 Mohm Min. at 300VDC.
 - 1-4 BREAKDOWN VOLTAGE: 300 VAC PER MINUTE.
 - ENVIRONMENTAL:
 - 2-1 OPERATING TEMPERATURE: -20°C TO +80°C.
 - 2-2 SEALING REQUIREMENTS: IP67.
 - OTHER GENERAL SPEC. TO REFER"USB WPC SPEC."
 - FOR TECHNICAL DATA REFER TO YOUR LOCAL SINGATRON ELECTRONICS SALES OFFICE.
 - ALL DIMENSIONS ARE NOMINAL FOR REFERENCE ONLY UNLESS OTHERWISE STATED.
 - TO CONFORM TO SINGATRON HAZARDOUS SUBSTANCE FREE SPEC.
 - GREEN PRODUCT IDENTIFICATION LABEL ON PACKAGING: [Click here](#).

B	WATERPROOF CAP	1	P/N:2UB3001-W0000W	N/A
A	USB A JACK	1	P/N:2UB3001-W05100	N/A
NO	DESCRIPTION	QTY	MATERIAL	PLATING & COLOR
UNLESS OTHERWISE SPECIFIED TOLERANCES				
DECIMALS:	ANGLES:			
X :±0.50	X :±1°			
X.X :±0.30	X.X :±0.5°			
X.XX :±0.20				
Singatron Enterprise Co., Ltd. 信晉企業股份有限公司				
TITLE WATERPROOF USB 2.0 JACK				
DWN	Vicky	PART NO.2UB3001-W05154H		
CHKD	Harlen	SCALE 2:1	UNIT: mm	
APVD	Quan	SIZE: A3	SHEET: 1 OF 1	REV: A

CUSTOMER COPY