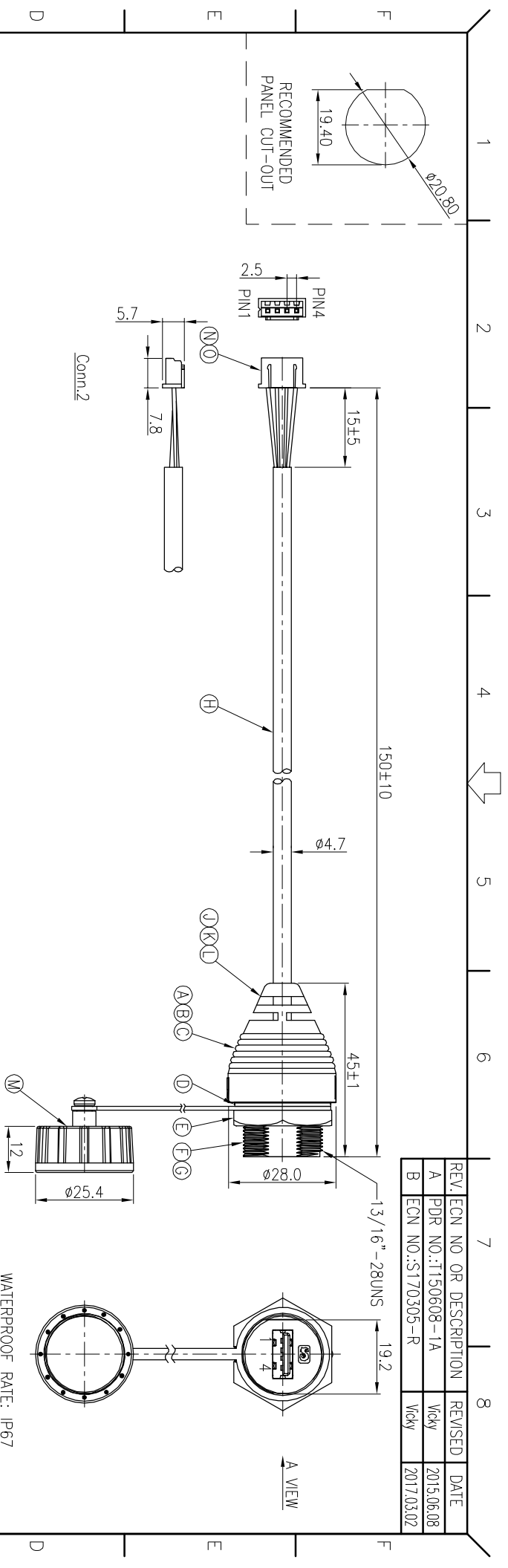
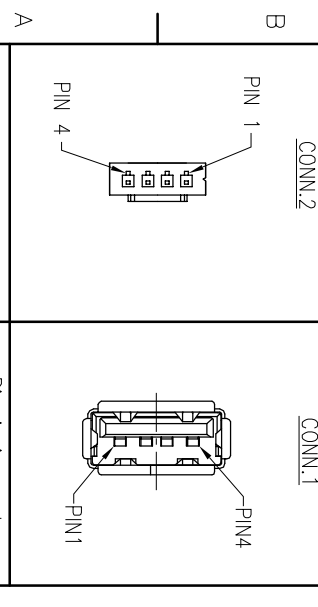


REV.	ECN NO.	OR DESCRIPTION	REVISED	DATE
A	PDR NO.:T150608-1A		Wcky	2015.06.08
B	ECN NO.:S170305-R		Wcky	2017.03.02



Terminal	Color	Wire Color	Conn. 1	Conn. 2
4	BLACK(24AWG)		4	
3	GREEN(28AWG)		3	
2	WHITE (28AWG)		2	
1	RED (24AWG)		1	
CONN.2		WIRE COLOR	CONN.1	
		PIN OUT		



- NOTES:
1. WATERPROOF RATE: IP67
 2. IP67: IMMersed IN 1M WATER FOR 30 MINUTES
 3. RATING: 30V 1A
 4. SPECIFICATIONS:SEE "USB SERIES SPECIFICATIONS".
 5. TO CONFORM TO SINGATRON HAZARDOUS SUBSTANCE FREE SPEC.
 6. GREEN PRODUCT IDENTIFICATION LABEL ON PACKAGING:

QTY	DESCRIPTION	MATERIAL	PLATING & COLOR
4	TERMINAL	BRASS	TIN-PLATED
1	HOUSING	NYLON 66 UL94V-0	WHITE
1	WATERPROOF CAP	P/N:2UB3001-W0000W	N/A
4	HEAT SHRINK TUBE	Ø1.0 125°C 300V L:10	BLACK
1	INNER MOLD	LD-PE	NATURAL
1	OVER MOLD	TPU	BLACK
1	CABLE	28#*1P+24#*2C+ADB UV Resistant OD=4.7	BLACK(PVC JACKET)
1	USB A JACK	P/N:2UB1518-000111	WHITE PLASTIC
1	BODY	PPE	BLACK
1	PANEL NUT	PPE	BLACK
1	GASKET	EPDM	BLACK
1	SEALING NUT	PPE	BLACK
1	O-RING	EPDM	BLACK
1	PCB	FR-4	GREEN

DECIMALS:	ANGLES:	TITLE	WATERPROOF
X :0.5	X :±2	WATERPROOF USB2.0 JACK	US2.0 JACK
X.X :0.3	X.X :±1'		
X.XX :±0.2			

CHKD	APVD	SIZE	SHEET	REV
Harden	Steve	A3	1 OF 1	B

CUSTOMER COPY