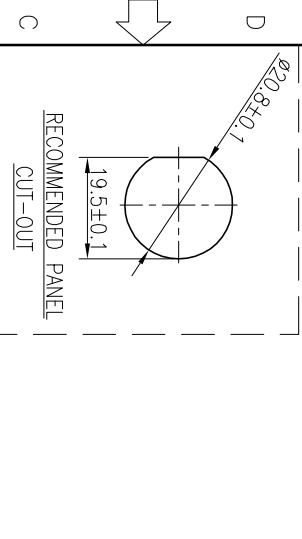
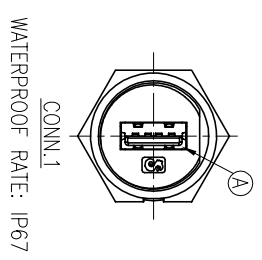
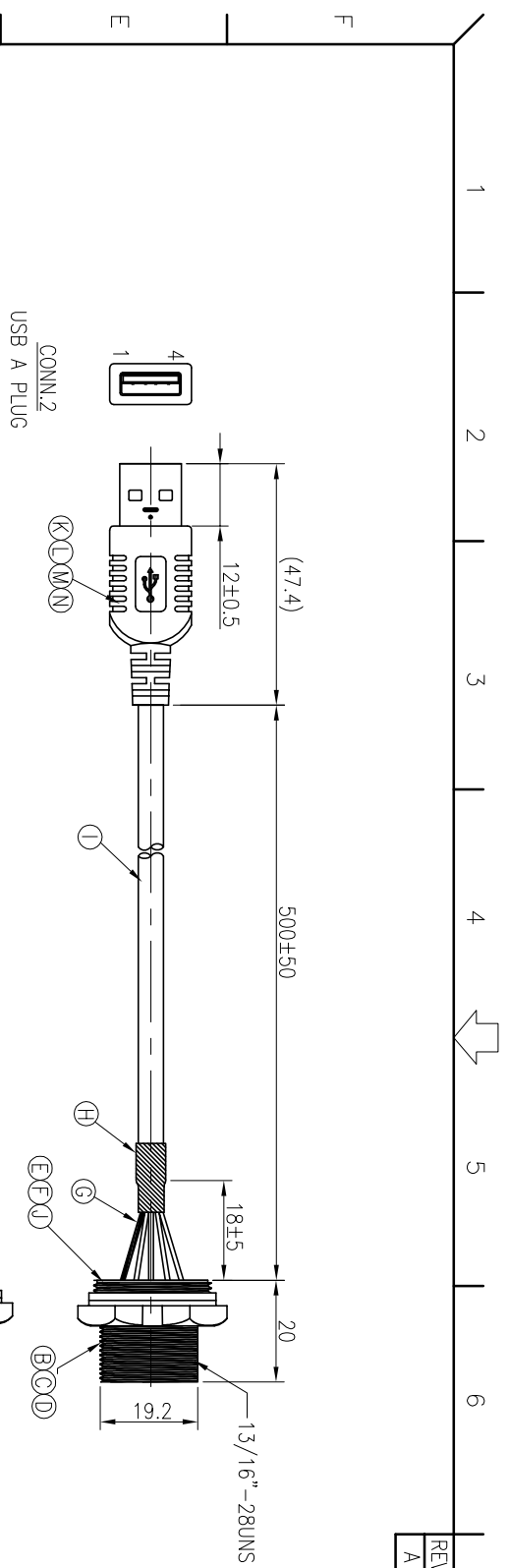
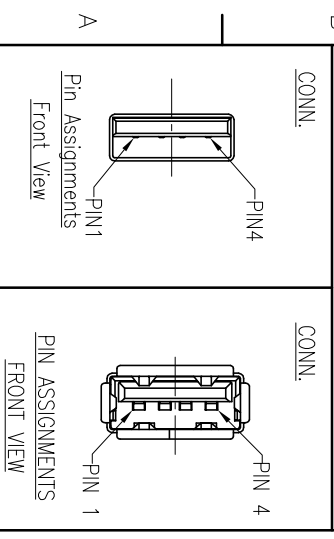


REV.	ECN NO.	OR DESCRIPTION	REVISED	DATE
A	PDR NO:T161124-10A	Yang	2017.03.01	



SHIELD	DRAIN	SHIELD
4	BLACK (24AWG)	4
3	GREEN (28AWG)	3
2	WHITE (28AWG)	2
1	RED (24AWG)	1
CONN.	WIRE COLOR	CONN.
PIN OUT		



- NOTES:
1. WATERPROOF RATE: IP67
 2. IP67: IMMersed IN 1M WATER FOR 30 MINUTES
 3. RATING: 30V 1A
 4. OPERATING TEMPERATURE: -20°C TO +80°C .
 5. SPECIFICATIONS:SEE "USB SERIES SPECIFICATIONS".
 6. TO CONFORM TO SINGATRON HAZARDOUS SUBSTANCE FREE SPEC.
 7. GREEN PRODUCT IDENTIFICATION LABEL ON PACKAGING:

G.P. PASS

1 2 3 4 5 6 7 8

N	INNER MOLD	1	LD-PE	N/A
M	HEAT SHRINK TUBE	1	125° 300V	BLACK
L	OVER MOLD	1	PVC	BLACK
K	USB PLUG	1	USB 2.0 PLUG	N/A
J	UV GLUE	1	N/A	NATURAL
I	CABLE	1	USB2.0 28#*1P+24#*2C+ADB,UV Resistant	BLACK(PVC JACKET)
H	HEAT SHRINK TUBE	1	125°C 300V	BLACK
G	HEAT SHRINK TUBE	1	125°C 300V	BLACK
F	LIQUID GLUE	1	N/A	BLACK
E	PCB	1	FR-4	GREEN
D	GASKET	1	EPDM	BLACK
C	PANEL NUT	1	NYLON+GF	BLACK
B	BODY	1	PC	BLACK
A	USB CONNECTOR	1	USB A JACK	N/A
NO	DESCRIPTION	QTY	MATERIAL	PLATING & COLOR

UNLESS OTHERWISE SPECIFIED TOLERANCES

Singatron Enterprise Co., Ltd.
信登企業股份有限公司

DECIMALS:	ANGLES:
X :±0.5	X :±2°
X.X :±0.3	X.X :±1°
X.XX :±0.2	

TITLE	WATERPROOF USB JACK TO USB PLUG
DWN	Yang
CHKD	Harlen
APVD	Steve
PART NO.	2UB3001-W05192H
SCALE	1:1
UNIT	mm
SIZE	A3
SHEET	1 OF 1
REV	A

CUSTOMER COPY