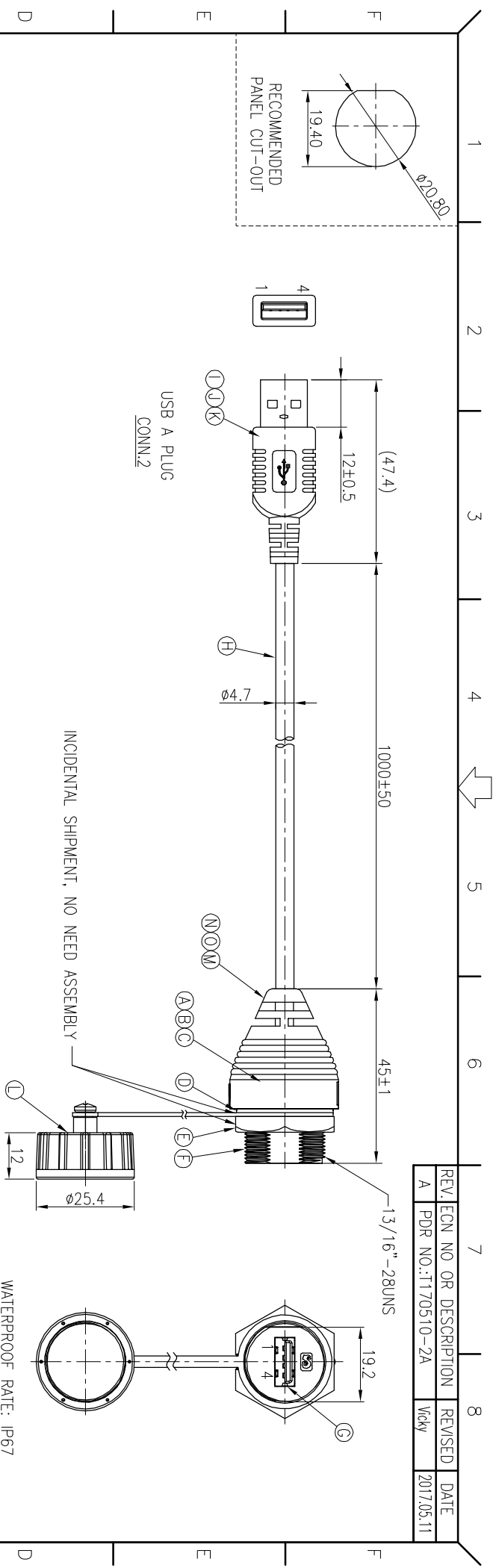


REV.	ECN NO.	OR DESCRIPTION	REVISED	DATE
A	PDR NO.:T170510-2A	Wcxy	2017.05.11	

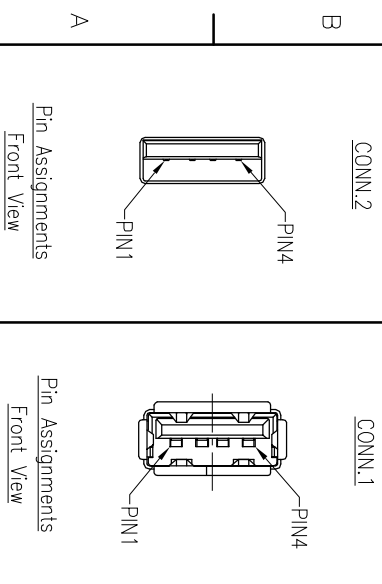


DRAIN	SHIELD
4 BLACK(24AWG)	4 SHIELD
3 GREEN(28AWG)	3
2 WHITE (28AWG)	2
1 RED (24AWG)	1
WIRE COLOR	CONN.1
PIN OUT	CONN.1

SHIELD	DRAIN
4 SHIELD	4
3	3
2	2
1	1
CONN.2	CONN.1
PIN OUT	CONN.1

0	OVER MOLD	1	TPU	BLACK
N	HEAT SHRINK TUBE	2	Ø1.0 125°C 300V L:10	BLACK
M	INNER MOLD	1	LD-PE	WHITE
L	WATERPROOF CAP	1	P/N:2UB3001-W0000W	N/A
K	USB PLUG	1	USB2.0 PLUG	N/A
J	PCB	1	FR-4	GREEN
I	OVER MOLD	1	PVC	BLACK
H	CABLE	1	USB2.0 28#*1P+2#*2C+ADB,UV Resistant	BLACK(PVC JACKET)
G	USB A JACK	1	P/N:2UB1518-000111	WHITE PLASTIC
F	HOUSING	1	PPE	BLACK
E	SCREW NUT	1	PPE	BLACK
D	GASKET	1	EPDM	BLACK
C	SEALING NUT	1	PPE	BLACK
B	O-RING	1	EPDM	BLACK
A	PCB	1	FR-4	GREEN
NO	DESCRIPTION	QTY	MATERIAL	PLATING & COLOR

- NOTES:
1. WATERPROOF RATE: IP67
 2. RATING: 30V 1A
 3. SPECIFICATIONS:SEE "USB SERIES SPECIFICATIONS".
 4. TO CONFORM TO SINGATRON HAZARDOUS SUBSTANCE FREE SPEC.
 5. GREEN PRODUCT IDENTIFICATION LABEL ON PACKAGING: **GREEN**
 6. FOR PANEL THICKNESS MAX:2.5mm



UNLESS OTHERWISE SPECIFIED TOLERANCES

DECIMALS: ANGLES:

X :±0.5 X :±2

X.X :±0.3 X.X :±1'

X.XX :±0.2

<p>信晉企業股份有限公司</p>	
TITLE	WATERPROOF USB2.0 JACK TO USB2.0 PLUG
DMW	Shown
CHKD	JF
APVD	Steve
<p>PART NO.:2UB3001-W05194H</p> <p>SCALE 1:1 UNIT: mm</p> <p>SIZE: A3 SHEET:1 OF 1 RBY: A</p>	
<p>CUSTOMER COPY</p>	