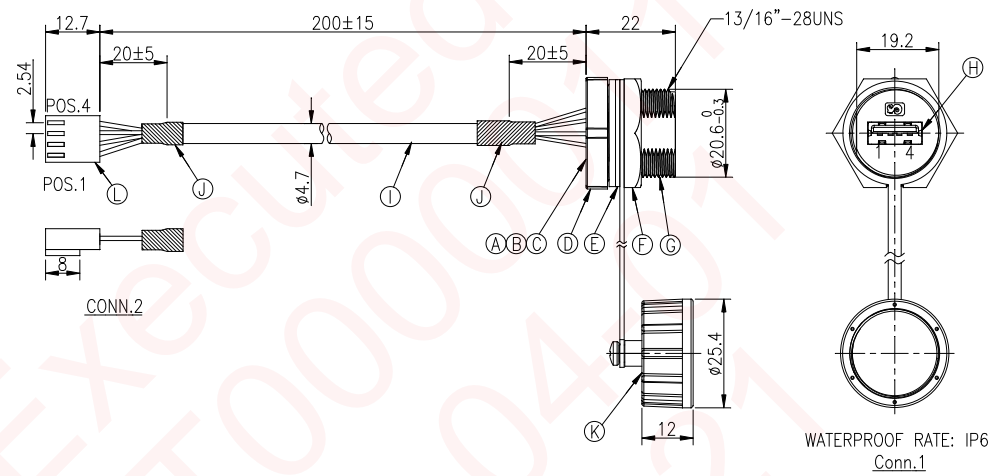
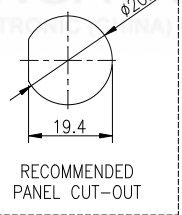


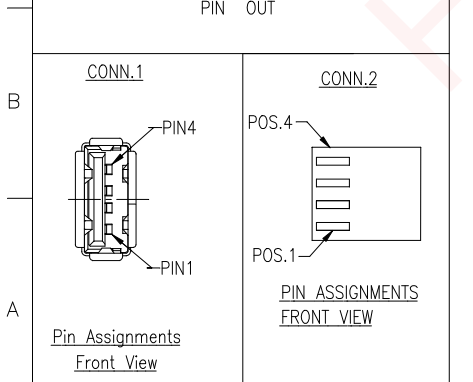
1 2 3 4 5 6 7 8

REV.	ECN NO OR DESCRIPTION	REVISED	DATE
A	PDR NO.:S170517-3A	Vicky	2017.05.18



WATERPROOF RATE: IP67
Conn.1

4	BLACK(24AWG)	4
3	GREEN(28AWG)	3
2	WHITE(28AWG)	2
1	RED (24AWG)	1
CONN.1	WIRE COLOR	CONN.2



- NOTES:
1. WATERPROOF RATE: IP67
IP67: IMMERSED IN 1M WATER FOR 30 MINUTES
 2. RATING: 30V 1A
 3. SPECIFICATIONS:SEE "USB SERIES SPECIFICATIONS".
 4. TO CONFORM TO SINGATRON HAZARDOUS SUBSTANCE FREE SPEC.
 5. GREEN PRODUCT IDENTIFICATION LABEL ON PACKAGING: **CLP LABEL**
 6. FOR PANEL THICKNESS MAX:2.5mm

L	CONNECTOR	4	PHOSPHOR BRONZE	TIN PLATING
		1	Nylon UL94V-0	WHITE
K	WATERPROOF CAP	1	P/N:2UB3001-W0000W	N/A
J	SHRINK TUBE	2	ø5*20	BLACK
I	CABLE	1	USB2.0 28#*1P+24#*2C+ADB,UV Resistant	BLACK(PVC JACKET)
H	USB A RECEP.	1	USB A TYPE RECEP.	N/A
G	HOUSING	1	PPE 540Z	BLACK
F	SCREW NUT	1	PPE 540Z	BLACK
E	GASKET	1	EPDM	BLACK
D	SEALING NUT	1	PPE 540Z	BLACK
C	THERMAL GLUE	1	OD:7MM	NATURAL
B	O-RING	1	EPDM	BLACK
A	PCB	1	FR-4	GREEN
NO	DESCRIPTION	QTY	MATERIAL	PLATING & COLOR

UNLESS OTHERWISE SPECIFIED TOLERANCES

Singatron Enterprise Co., Ltd.
信音企業股份有限公司

DECIMALS: ANGLES:
X :±0.5 X :±2'
X.X :±0.3 X.X :±1'
X.XX :±0.2

TITLE WATERPROOF USB2.0 JACK

DWN	Vicky	PART NO.2UB3001-W05195H
CHKD	Harlen	SCALE 1:1 UNIT: mm
APVD	Steve	SIZE: A3 SHEET:1 OF 1 REV: A

CUSTOMER COPY

1 2 3 4 5 6 7 8 文件編號:06-043-A