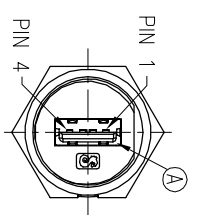
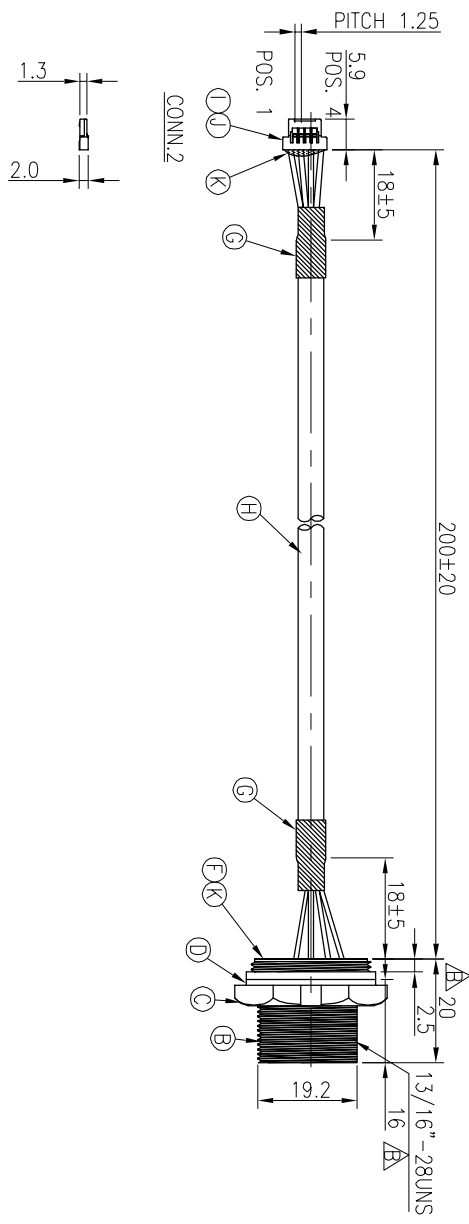
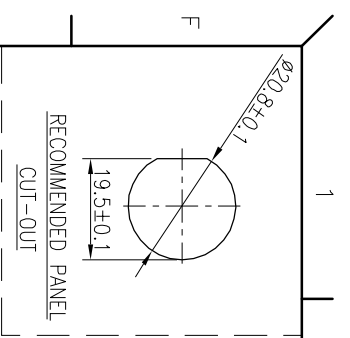
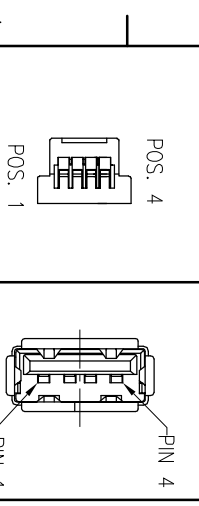


REV.	ECN NO. OR DESCRIPTION	REVISED	DATE
A	PDR NO.:S170814-5A	Yang	2017.12.28
B	ECN NO.:S202106-R02	RZ	2022.02.28



4	BLACK (28AWG)	4
3	GREEN(28AWG)	3
2	WHITE (28AWG)	2
1	RED (28AWG)	1
CONN.2 WIRE COLOR		CONN.1

PIN OUT



PIN ASSIGNMENTS FRONT VIEW

NOTES:

1. WATERPROOF RATE: IP67
2. RATING: 30V 1A
3. OPERATING TEMPERATURE: -40°C TO+95°C (PANEL).
4. SPECIFICATIONS:SEE "USB SERIES SPECIFICATIONS".
5. TO CONFORM TO SINGATRON HAZARDOUS SUBSTANCE FREE SPEC.
6. GREEN PRODUCT IDENTIFICATION LABEL ON PACKAGING: **G.P. PASS**
7. FOR PANEL THICKNESS MAX:4.0mm
8. DEFINE PIN ASSIGNMENT BY CUSTOMER REQUIREMENT

UNLESS OTHERWISE SPECIFIED TOLERANCES

DECIMALS:	ANGLES:
X :±0.5	X :±2°
X.X :±0.3	X.X :±1°
X.XX :±0.2	

NO	DESCRIPTION	QTY	MATERIAL	PLATING & COLOR
A	USB CONNECTOR	1	USB A JACK	N/A
B	BODY	1	PC	BLACK
C	PANEL NUT	1	NYLON+GF	BLACK
D	GASKET	1	EPDM	BLACK
E	PCB	1	FR-4	GREEN
F	LIQUID GLUE	1	N/A	BLACK
G	HEAT SHRINK TUBE	2	125°C 300V	BLACK
H	CABLE	1	USB2.0 28#*1P+28#*2C+ADB,UV Resistant	BLACK PVC JACKET
I	HOUSING	1	PBT	BLACK
J	TERMINAL	4	PHOSPHOR BRONZE	GOLD FLASH
K	UV GLUE	2	N/A	NATURAL

Suzhou Singatron Auto Electronics CO.,LTD.  
蘇州信營汽車電子有限公司

TITLE WATERPROOF USB JACK TO CONNECTOR

DWN	RZ	CHND	APVD
SCALE 1:1	UNIT: mm	SIZE: A4	SHEET:1 OF 1
PART NO.:20UB3001-W05197H			
REV: B			

CUSTOMER COPY