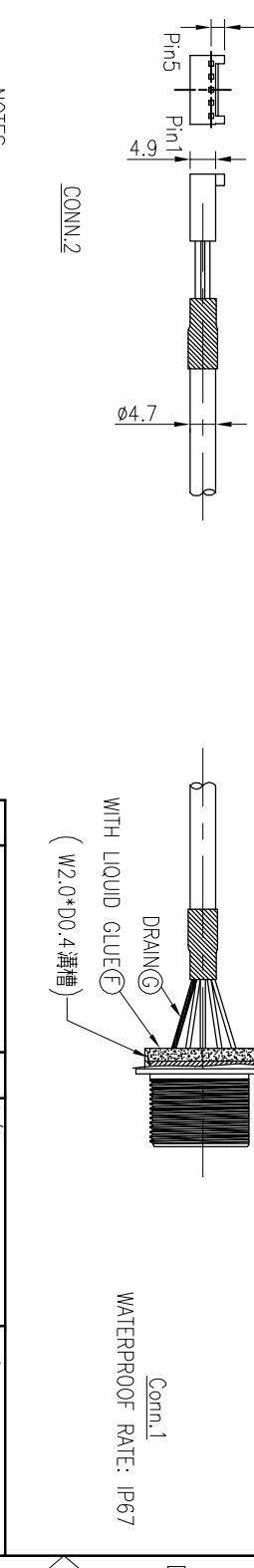
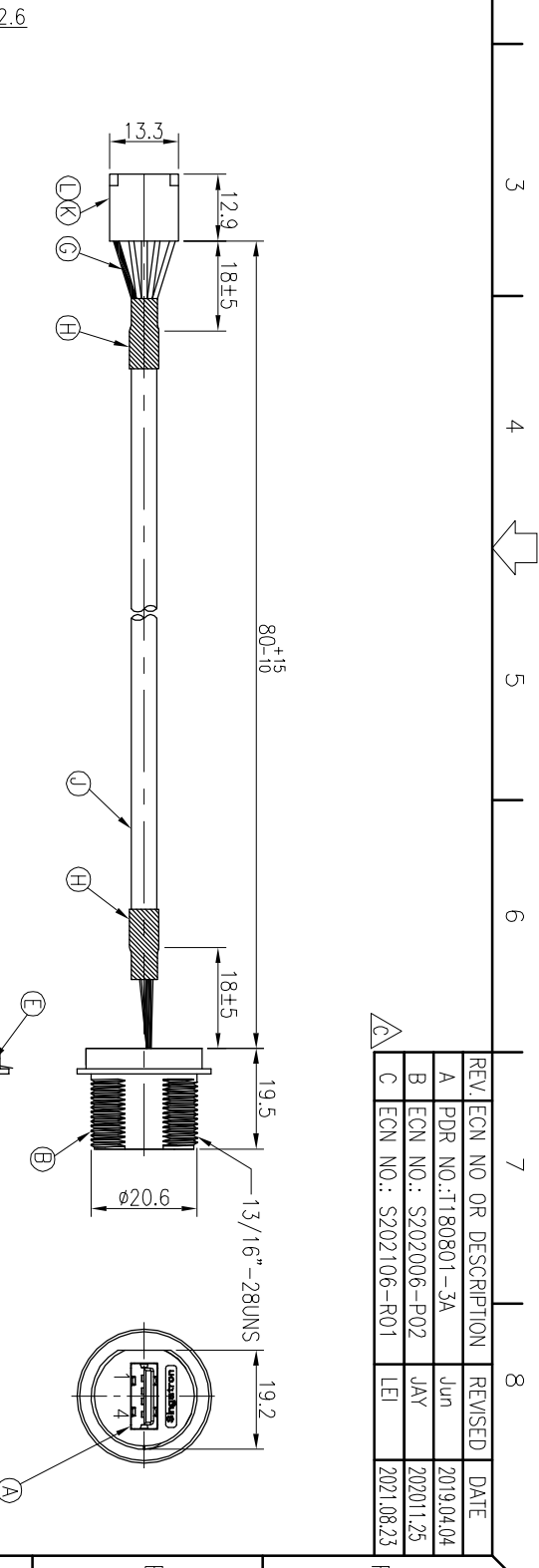
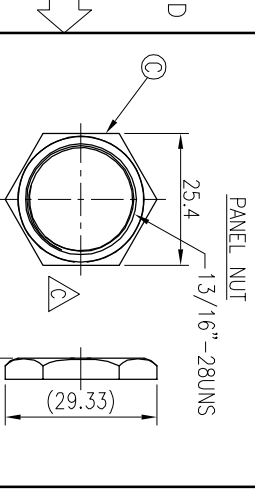
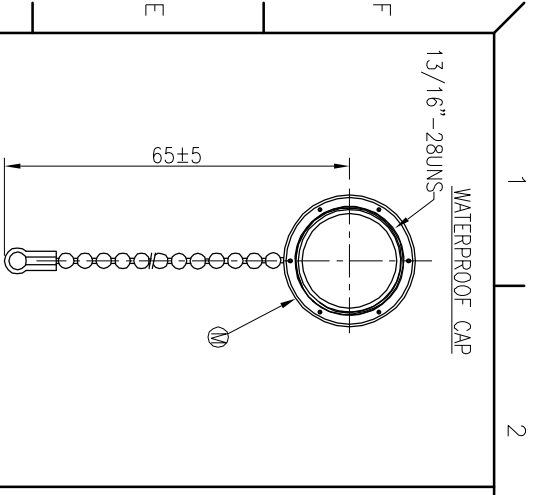


REV	ECN NO	OR DESCRIPTION	REVISED	DATE
A	PDR NO.:T180801-3A		Jun	2019.04.04
B	ECN NO.: S202006-P02		JAY	202011.25
C	ECN NO.: S202106-R01		LEI	2021.08.23



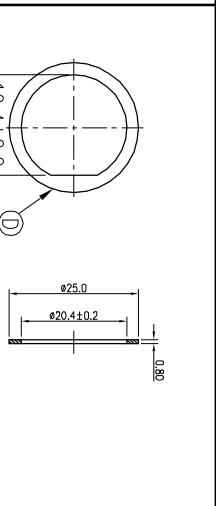
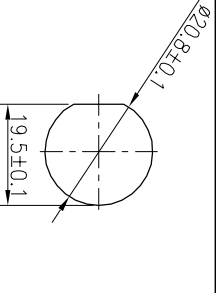
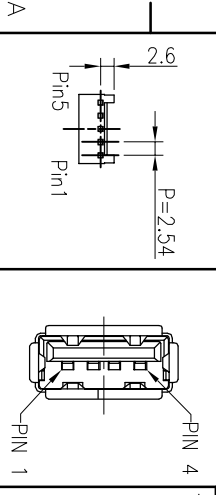
螺牙內增加耐漆處理 (整圈塗布)  
耐漆膠規格: T-40 COLOR: BLUE

5	DRAIN	SHIELD
4	BLACK (24AWG)	4
3	GREEN (28AWG)	3
2	WHITE (28AWG)	2
1	RED (24AWG)	1
CONN.2 WIRE COLOR		CONN.1
PIN OUT		
CONN.2		CONN.1

NOTES:

1. WATERPROOF RATE: IP67
2. WATERPROOF RATE: IP67
3. OPERATING TEMPERATURE: -40°C TO +95°C (PANEL).
4. SPECIFICATIONS: SEE "USB SERIES SPECIFICATIONS".
5. TO CONFORM TO SINGATRON HAZARDOUS SUBSTANCE FREE SPEC.
6. GREEN PRODUCT IDENTIFICATION LABEL ON PACKAGING: **G.P. PASS**
7. FOR PANEL THICKNESS MAX: 4.0mm
8. DEFINE PIN ASSIGNMENT BY CUSTOMER REQUIREMENT
9. 螺絲、墊圈及折蓋以附件形式包裝出貨

M	WATERPROOF CAP	1	N/A	N/A
L	TERMINAL	5	PHOSPHOR BRONZE	TIN-PLATED
K	HOUSING	1	TU5002HNO-NPL	NATURE
J	CABLE	1	USB2.0 28#*1P+24#*2C+ADB,UV Resistant	BLACK PVC JACKET
H	HEAT SHRINK TUBE	2	Ø7.0 L=15mm	BLACK
G	HEAT SHRINK TUBE	2	Ø1.0 L=18mm	BLACK
F	LIQUID GLUE	1	SILICONE	BLACK
E	PCB	1	FR-4	GREEN
D	GASKET	1	SILICONE SHORE A 70°	BLACK
C	PANEL NUT	1	BRASS C3604	120° NICKEL PLATED
B	BODY	1	ZINC ALLOY	120° NICKEL PLATED
A	USB A JACK	1	STAINLESS STEEL	N/A
NO	DESCRIPTION	QTY	MATERIAL	PLATING & COLOR



UNLESS OTHERWISE SPECIFIED TOLERANCES

DECIMALS:	ANGLES:
X :±0.5	X :±2°
X.X :±0.3	X.X :±1°
X.XX :±0.2	