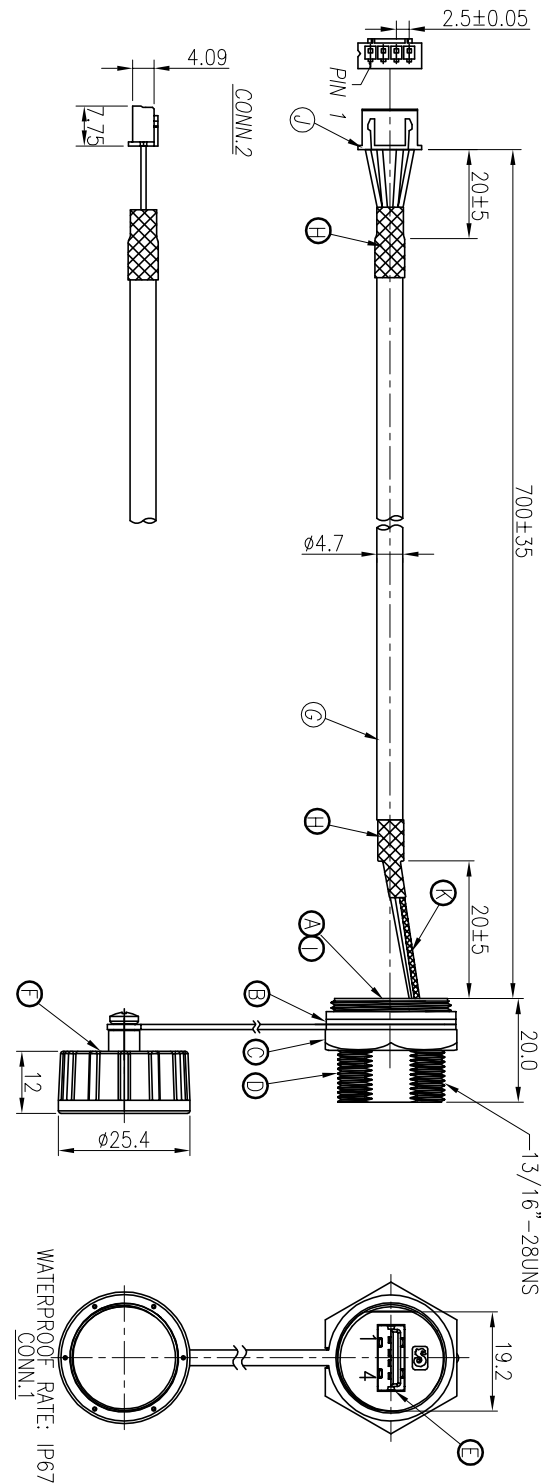
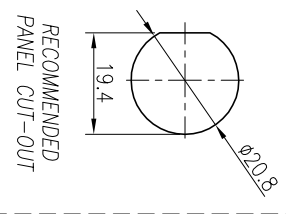
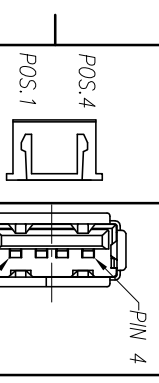


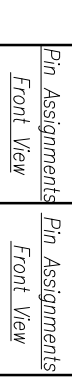
REV	ECN NO OR DESCRIPTION	REVISED	DATE
A	PDR NO.:T181114-2A	JAY	2019.04.04



DRAIN	SHIELD
1 BLACK(24AWG)	4
3 GREEN(28AWG)	3
2 WHITE (28AWG)	2
4 RED (24AWG)	1
CONN.2 WIRE COLOR	CONN.1
PIN OUT	
CONN.2	CONN.1



- NOTES:
1. WATERPROOF RATE: IP67
 2. RATING: 30V 1A
 3. SPECIFICATIONS:SEE "USB SERIES SPECIFICATIONS".
 4. TO CONFORM TO SINGATRON HAZARDOUS SUBSTANCE FREE SPEC.
 5. GREEN PRODUCT IDENTIFICATION LABEL ON PACKAGING: **G.P. PASS**
 6. FOR PANEL THICKNESS MAX:2.5mm



K	HEAT SHRINK TUBE	2	1.0 125°C 300V L:10	BLACK
J	CONNECTOR	4	TER:JMT A2501TOP-2	TIN-PLATED
I	LIQUID GLUE	1	HSG:JMT A2501H02-4P	WHITE
H	HEAT SHRINK TUBE	1	N/A	BLACK
G	CABLE	1	USB2.0 28#*1P+2#*2C+ADB UV Resistant	BLACK PVC JACKET
F	WATERPROOF CAP	1	P/N:2UB3001-W0000W	N/A
E	USB A JACK	1	P/N:4UB3001-W0000J	WHITE PLASTIC
D	HOUSING	1	PC	BLACK
C	SCREW NUT	1	PPE	BLACK
B	GASKET	1	EPDM	BLACK
A	PCB	1	FR-4	GREEN
NO	DESCRIPTION	QTY	MATERIAL	PLATING & COLOR
UNLESS OTHERWISE SPECIFIED TOLERANCES				
Singatron Enterprise Co., Ltd. 信普企業股份有限公司				
TITLE WATERPROOF USB2.0 JACK				
DWG JAY PART NO.2UB3001-W051A7H				
CHKD Gerry SCALE 1:1 UNIT: mm				
APVD William SIZE: A3 SHEET:1 OF 1 REV: A				
CUSTOMER COPY				