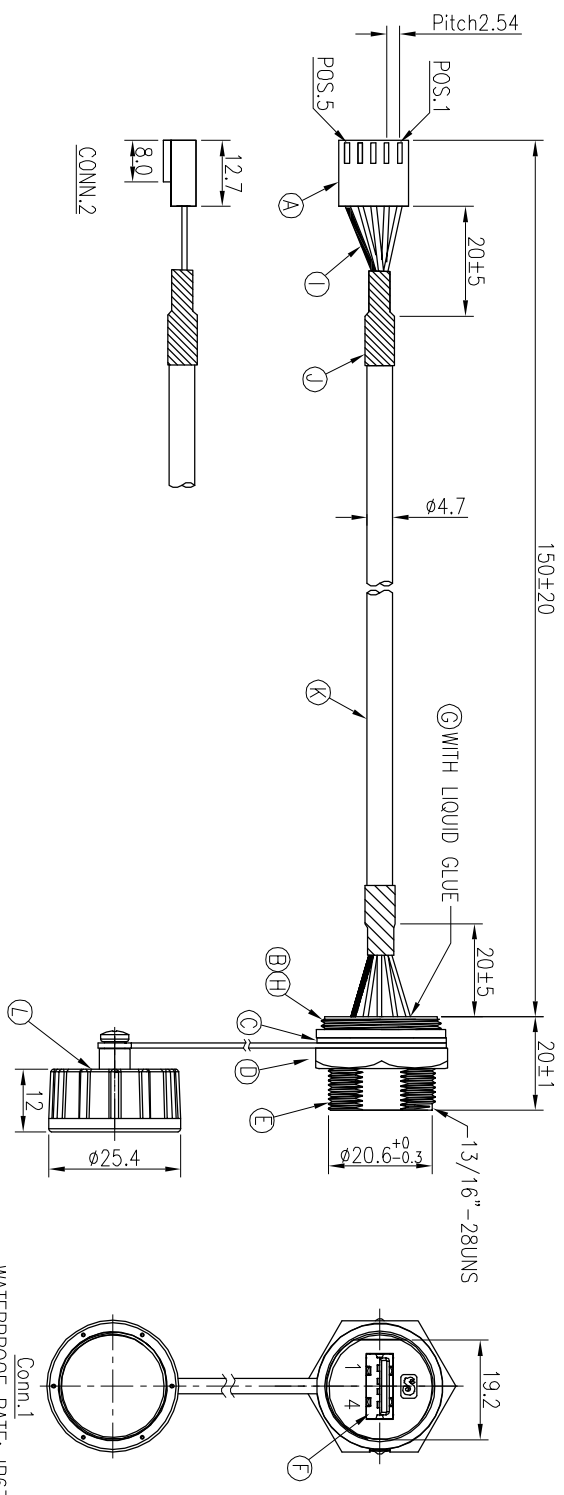
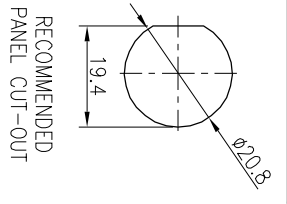


REV.	ECN NO OR DESCRIPTION	REVISED	DATE
A	PDR NO.:A190904-9A	Vicky	2019.10.29



1	DRAIN	SHIELD
2	BLACK(24AWG)	4
3	GREEN(28AWG)	3
4	WHITE (28AWG)	2
5	RED (24AWG)	1

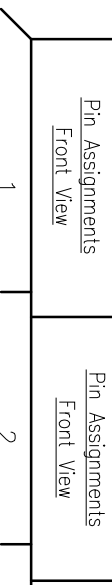
CONN.2 WIRE COLOR

PIN OUT

CONN.2	CONN.1
POS.1	PIN4
POS.5	PIN1

NOTES:

1. WATERPROOF RATE: IP67
2. RATING: 30V 1A
3. SPECIFICATIONS:SEE "USB SERIES SPECIFICATIONS".
4. TO CONFORM TO SINGATRON HAZARDOUS SUBSTANCE FREE SPEC.
5. GREEN PRODUCT IDENTIFICATION LABEL ON PACKAGING:
6. FOR PANEL THICKNESS MAX.:3.5mm



L	WATERPROOF CAP	1	P/N:2UB3001-W0000W	BLACK
K	CABLE	1	USB2.0 28#*1P+24# *2C+ADB,UV Resistant	BLACK (PVC JACKET)
J	SHRINK TUBE	2	$\phi 5.0$ 300V 125° L=15	BLACK
I	SHRINK TUBE	2	$\phi 1.0$ 300V 125°	BLACK
H	UV GLUE	1	N/A	NATURAL
G	LIQUID GLUE	1	N/A	BLACK
F	USB CONN.	1	USB A RECEPTACLE	N/A
E	BODY	1	PC	BLACK
D	NUT	1	PA66	BLACK
C	GASKET	1	EPDM	BLACK
B	PCB	1	FR-4	GREEN
A	CONNECTOR	5	BRASS	TIN
NO	DESCRIPTION	1	NYLON	WHITE

UNLESS OTHERWISE SPECIFIED TOLERANCES

DECIMALS: ANGLES: TITLE WATERPROOF USB2.0 RECEPTACLE

DMN Vicky PART NO.2UB3001-W051B4H

CHKD JF SCALE 1:1 UNIT: mm

APVD William SIZE: A3 SHEET:1 OF 1 REV: A

Singatron Enterprise Co., Ltd. 信譽企業股份有限公司

CUSTOMER COPY