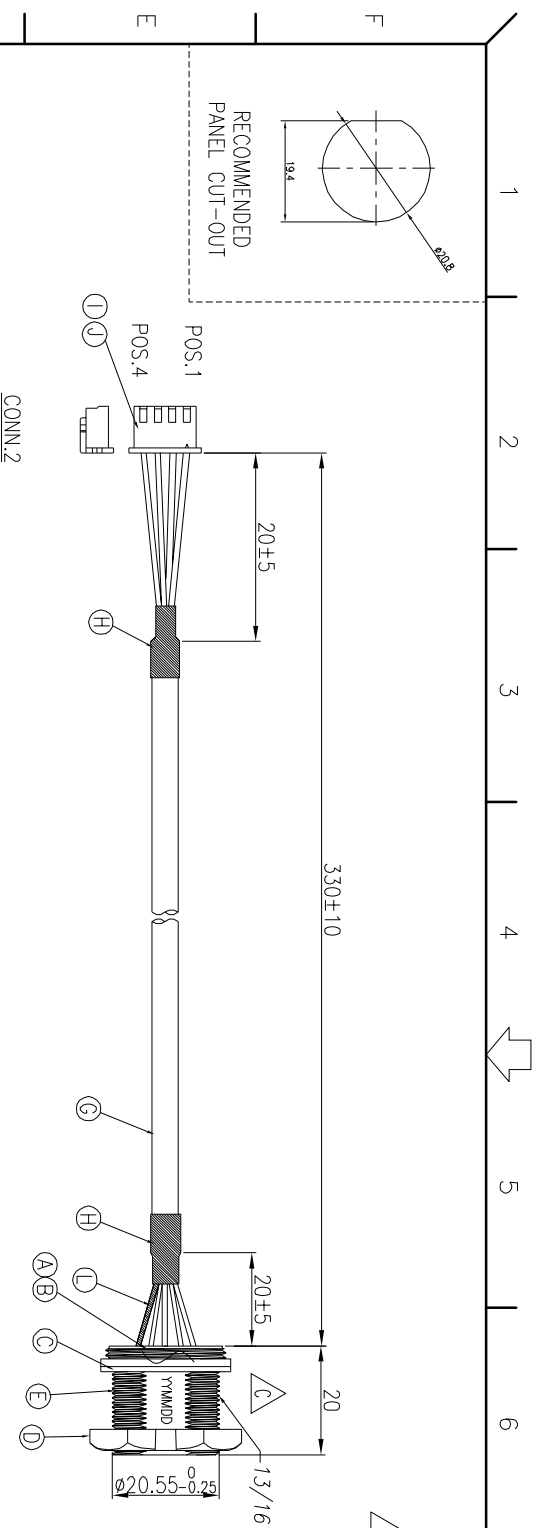


REV	ECN NO	OR DESCRIPTION	REVISED	DATE
A	PDR NO.:A201202-1A		JAY	2021.10.13
B	ECN NO.:S202206-C14		Erod	2022.07.15
C	ECN NO.:S202305-C10		Erod	2023.11.20



WATERPROOF RATE: IP67
CONN.1

DRAIN	SHIELD
4 WHITE (28AWG)	4
3 GREEN(28AWG)	3
2 BLACK(24AWG)	2
1 RED (24AWG)	1
CONN.2 WIRE COLOR	CONN.1



Twisted Pair

- NOTES:
1. WATERPROOF DEGREE OF PROTECTION: IP67(WHEN PROPERLY MATED)
 2. RATING: 30V 1A
 3. SPECIFICATIONS:SEE "USB SERIES SPECIFICATIONS".
 4. TO CONFORM TO SINGATRON HAZARDOUS SUBSTANCE FREE SPEC.
 5. GREEN PRODUCT IDENTIFICATION LABEL ON PACKAGING:
 6. FOR PANEL THICKNESS MAX:4.0mm
 7. TEMPERATURE RANGE: -20~80℃
 8. TIGHTENING TORQUES: 0.8~1.0Nm(7.08~8.85lbf.in.).

CONN.2	CONN.1
POS.1	PIN4
POS.4	PIN1

DRAIN	SHIELD
4 WHITE (28AWG)	4
3 GREEN(28AWG)	3
2 BLACK(24AWG)	2
1 RED (24AWG)	1
CONN.2 WIRE COLOR	CONN.1

J	TERMINAL	4	JWT A250110P-00	GOLD PLATING
I	HOUSING	1	JWT A2501H02-4P UL94V-0	WHITE
H	SHRINK TUBE	2	/	BLACK
G	CABLE	1	USB2.0 28#*1P+24# *2C+ADB,UV Resistant FT4	BLACK PVC JACKET
F	USB A JACK	1	UL94V-0	N/A
E	HOUSING	1	PC UL94V-0	BLACK
D	SCREW NUT	1	NYLON66 UL94-HB	BLACK
C	GASKET	1	EPDM	BLACK
B	GLUE	1	JAY73A+B	BLACK
A	PCB	1	FR-4 UL94V-0	GREEN
NO	DESCRIPTION		MATERIAL	PLATING & COLOR

DECIMALS:	ANGLES:
X :±0.5	X :±2°
X.X :±0.3	X.X :±1'
X.XX :±0.2	

CUSTOMER COPY