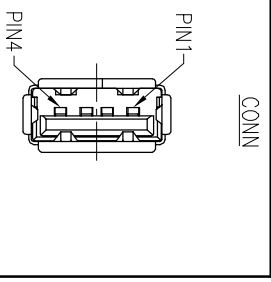
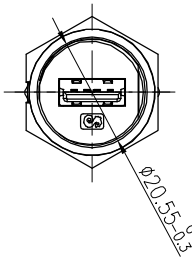
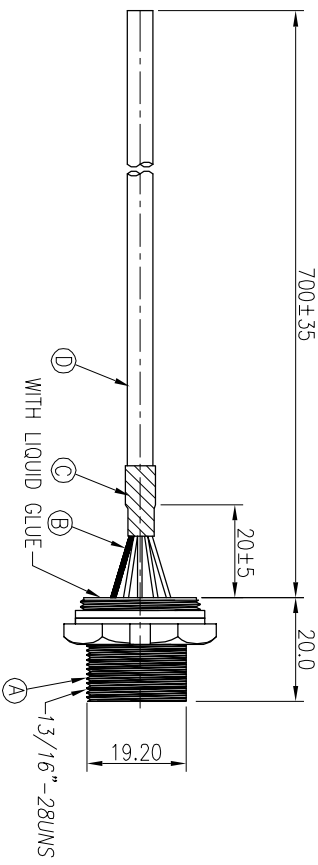
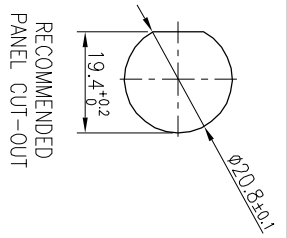


REV	ECN NO	OR DESCRIPTION	REVISED	DATE
A	PDR	NO:A210419-1D	JAY	2021.07.23



Pin Assignments
Front View

SHIELD	DRAIN
4	BLACK(24AWG)
3	GREEN(28AWG)
2	WHITE (28AWG)
1	RED (24AWG)
CONN	WIRE COLOR

- NOTES:
- ELECTRICAL CHARACTERISTICS:
 - 1-1 CURRENT RATING: 1.0 AMPS.
 - 1-2 CONTACT RESISTANCE: 30 mΩhm Max.
 - 1-3 INSULATION RESISTANCE: 100 MΩhm Min. at 500VDC.
 - 1-4 BREAKDOWN VOLTAGE: 500 VAC PER MINUTE.
 - MECHANICAL CHARACTERISTICS:
 - TIGHTENING TORQUES: 0.6~0.8Nm(5.31~7.08lbf.in.).
 - ENVIRONMENTAL:
 - 3-1 OPERATING TEMPERATURE: -20°C TO +80°C.
 - 3-2 SEALING REQUIREMENTS: IP67.
 - 3-2 SEALING REQUIREMENTS: IP67.
 - INSERTION FORCE: 3.5KGF MAX.
 - WITHDRAW FORCE: 0.5KGF MIN.
 - FOR PANEL THICKNESS MAX OF 3.5mm.
 - OTHER GENERAL SPEC. TO REFER"USB WPC SPEC".
 - FOR TECHNICAL DATA REFER TO YOUR LOCAL SINGATRON ELECTRONICS SALES OFFICE.
 - ALL DIMENSIONS ARE NOMINAL FOR REFERENCE ONLY UNLESS OTHERWISE STATED.
 - TO CONFORM TO SINGATRON HAZARDOUS SUBSTANCE FREE SPEC.
 - GREEN PRODUCT IDENTIFICATION LABEL ON PACKAGING:**Gr. Pass**

D	CABLE	1	USB2.0 28#*1P+24#*2C+ADB,UV Resistant	BLACK (PVC JACKET)
C	SHRINK TUBE	1	Ø5*20 , 125° 300V	BLACK
B	SHRINK TUBE	1	Ø1*20 , 125° 300V	BLACK
A	WATERPROOF CONN	1	P/N:2UB3001-W05113H	N/A
NO	DESCRIPTION	QTY	MATERIAL	PLATING & COLOR
UNLESS OTHERWISE SPECIFIED TOLERANCES				
Suzhou Singatron Auto Electronics CO.,LTD. 苏州信音汽车电子有限公司				
TITLE		WATERPROOF USB2.0 JACK+CABLE		
DECIMALS:	ANGLES:	PART NO.2UB3001-W051C3H		
X : ±0.5	X : ±1.2°	CHKD	SCALE 1:1	UNIT: mm
X.X : ±0.3	X.X : ±1'	APVD	SIZE: A3	SHEET: 1 OF 1
X.XX : ±0.2		JF		REV: A
CUSTOMER COPY				