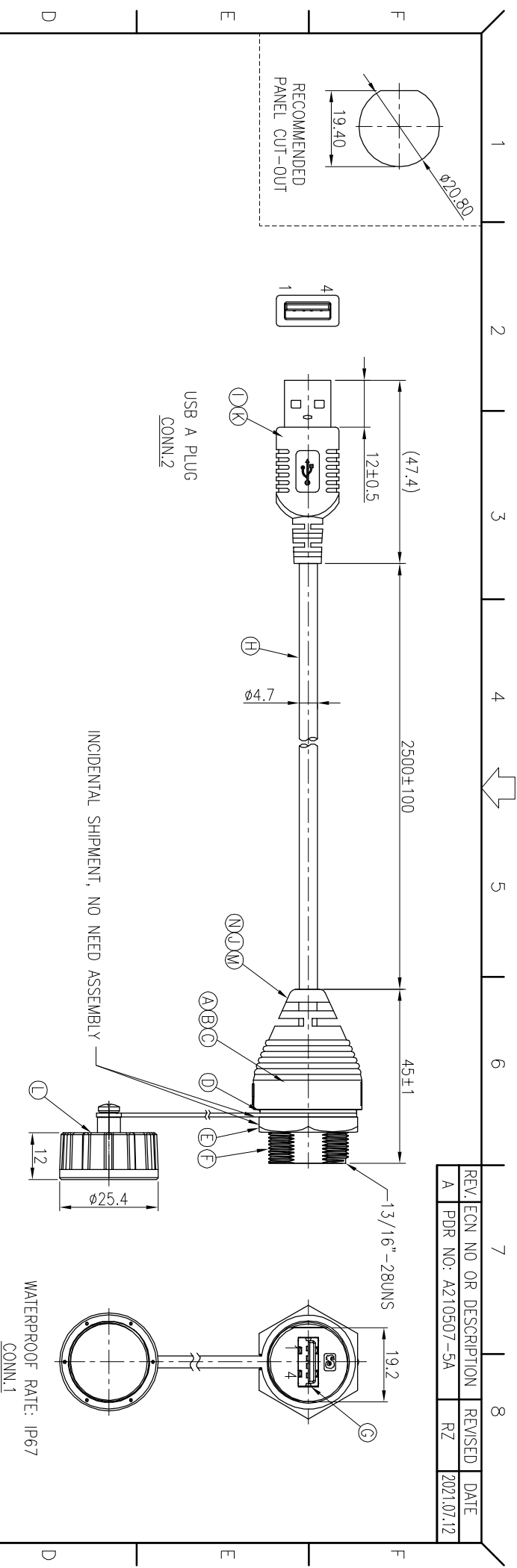
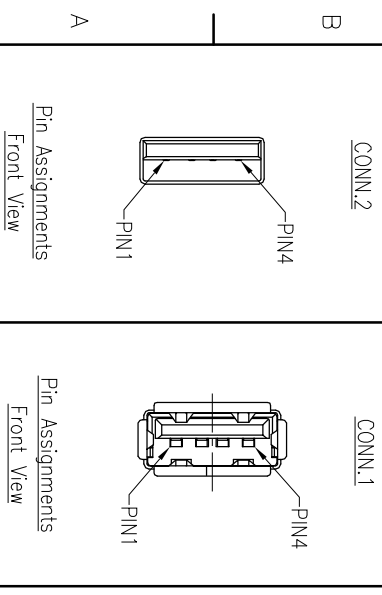


REV	ECN NO	OR DESCRIPTION	REVISED	DATE
A	PDR NO: A210507-5A	RZ		2021.07.12



DRAIN	SHIELD
4 BLACK(24AWG)	4 SHIELD
3 GREEN(28AWG)	3
2 WHITE (28AWG)	2
1 RED (24AWG)	1
CONN.2 WIRE COLOR	CONN.1
PIN OUT	



- NOTES:
1. WATERPROOF RATE: IP67
 2. RATING: 30V 1A
 3. SPECIFICATIONS:SEE "USB SERIES SPECIFICATIONS".
 4. TO CONFORM TO SINGATRON HAZARDOUS SUBSTANCE FREE SPEC.
 5. GREEN PRODUCT IDENTIFICATION LABEL ON PACKAGING: **GREEN**
 6. FOR PANEL THICKNESS MAX:2.5mm
 7. SCREW NUT&WATERPROOF CAP&GASKET INCIDENTAL SHIPMENT NO NEED ASSEMBLY

N	HEAT SHRINK TUBE	2	Ø1.0 125°C 300V L:10	BLACK
M	INNER MOLD	1	LD-PE	WHITE
L	WATERPROOF CAP	1	P/N:2UB3001-W0000W	N/A
K	USB PLUG	1	USB2.0 PLUG	N/A
J	OVER MOLD	1	TPU	BLACK
I	OVER MOLD	1	PVC	BLACK
H	CABLE	1	USB2.0 28#*1P+24#*2C+ADB,UV Resistant	BLACK(PVC JACKET)
G	USB A JACK	1	P/N:2UB1518-000111	WHITE PLASTIC
F	HOUSING	1	PLASTIC	BLACK
E	SCREW NUT	1	PPE	BLACK
D	GASKET	1	EPDM	BLACK
C	SEALING NUT	1	PPE	BLACK
B	O-RING	1	EPDM	BLACK
A	PCB	1	FR-4	GREEN
NO	DESCRIPTION	QTY	MATERIAL	PLATING & COLOR

UNLESS OTHERWISE SPECIFIED TOLERANCES

Suzhou Singatron Auto Electronics CO.,LTD.
蘇州信益汽車電子有限公司

TITLE	WATERPROOF	USB2.0 JACK TO USB2.0 PLUG
DWN	RZ	PART NO.2UB3001-W051C6H
CHKD	JF	SCALE 1:1 UNIT: mm
APVD	JF	SIZE: A4 SHEET:1 OF 1 REV: A

CUSTOMER COPY

1 2 3 4 5 6 7 8

Pin Assignments Front View

Pin Assignments Front View

INCIDENTAL SHIPMENT, NO NEED ASSEMBLY

WATERPROOF RATE: IP67 CONN.1

文控部 RD-06-043-4