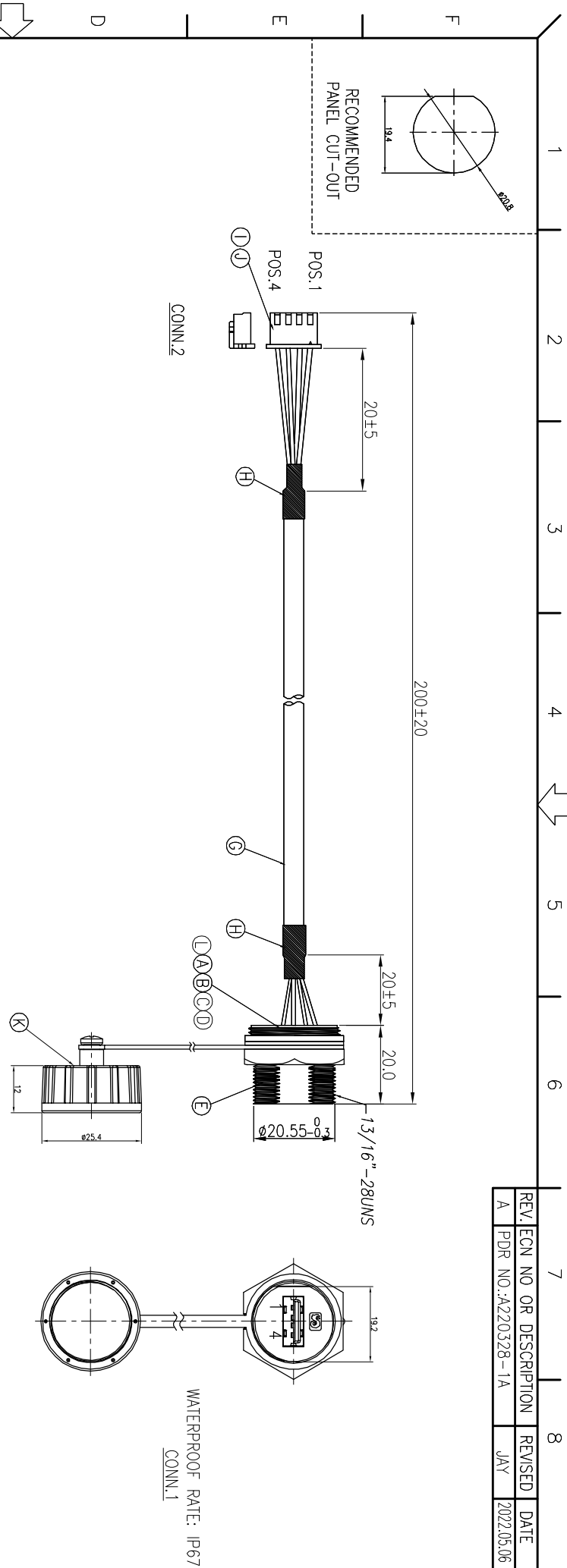


REV.	ECN NO OR DESCRIPTION	REVISED	DATE
A	PDR NO:A220328-1A	JAY	2022.05.06

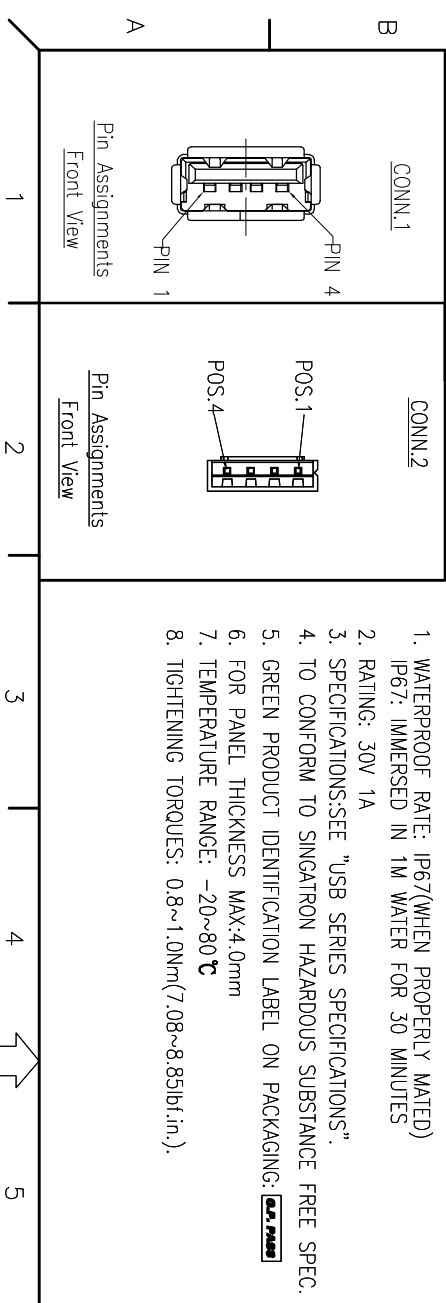


CONN.1	CONN.2
3 BLACK(24AWG)	4
2 WHITE(28AWG)	3
4 GREEN(28AWG)	2
1 RED(24AWG)	1
CONN.2 WIRE COLOR	CONN.1
PIN OUT	

Twist

NOTES:

1. WATERPROOF RATE: IP67(WHEN PROPERLY MATED) IP67: IMMERSED IN 1M WATER FOR 30 MINUTES
2. RATING: 30V 1A
3. SPECIFICATIONS:SEE "USB SERIES SPECIFICATIONS".
4. TO CONFORM TO SINGATRON HAZARDOUS SUBSTANCE FREE SPEC.
5. GREEN PRODUCT IDENTIFICATION LABEL ON PACKAGING:
6. FOR PANEL THICKNESS MAX:4.0mm
7. TEMPERATURE RANGE: -20~80℃
8. TIGHTENING TORQUES: 0.8~1.0Nm(7.08~8.85lbf.in.).



L	UV GLUE	1	/	NATURAL
K	WATERPROOF CAP	1	/	N/A
J	TERMINAL	4	JWT A2501TOP-00	GOLD PLATING
I	HOUSING	1	JWT A2501H02-4P	WHITE
H	HEAT SHRINK TUBE	2	UL94V-0	BLACK
G	CABLE	1	USB2.0 28#*1P+24#*2C+AADB,UV RESISTANT	BLACK PVC JACKET
F	USB A JACK	1	UL94V-0	N/A
E	HOUSING	1	PC UL94V-0	BLACK
D	SCREW NUT	1	NYLON66 UL94-HB	BLACK
C	GASKET	1	EPDM	BLACK
B	GLUE	1	JA723A+B	BLACK
A	PCB	1	FR-4 UL94V-0	GREEN
NO	DESCRIPTION	QTY	MATERIAL	PLATING & COLOR
UNLESS OTHERWISE SPECIFIED TOLERANCES				
Suzhou Singatron Auto Electronics CO.,LTD. 蘇州信音汽車電子有限公司				
TITLE WATERPROOF USB2.0 JACK TO CONNECTOR				
DMN	JAY	PART NO.2UBS3001-W051C9H	SCALE 1:1	UNIT: mm
CHKD	MF	SIZE: A3	SHEET:1 OF 1	REV: A
APVD	JF	CUSTOMER COPY		