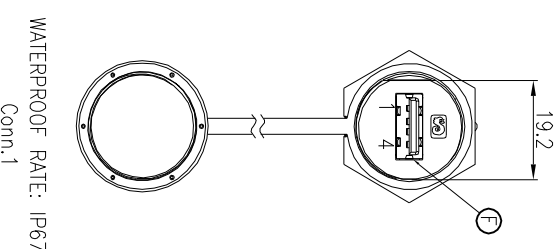
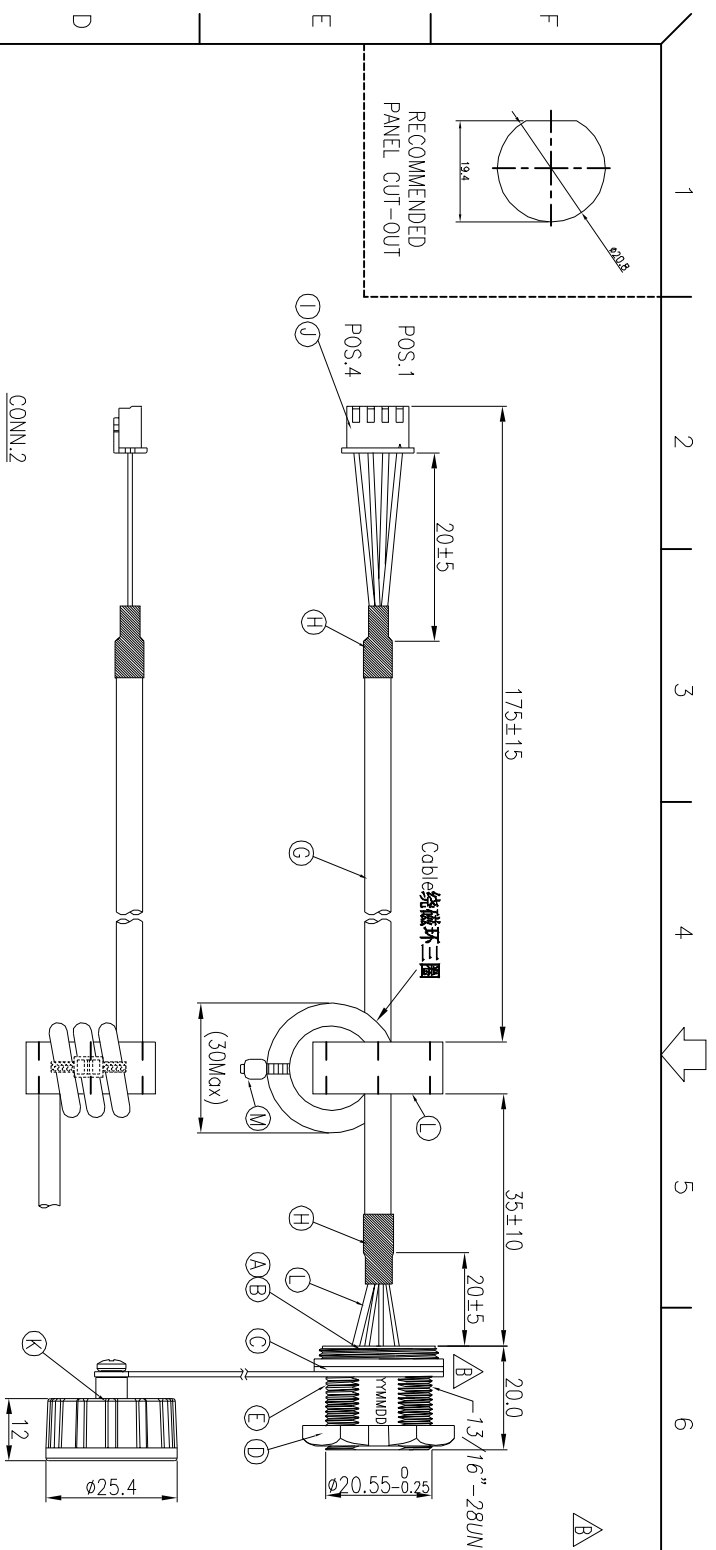


REV.	ECN NO.	OR DESCRIPTION	REVISED	DATE
A	PDR NO.:A220614-5A		RZ	2022.10.29
B	ECN NO.:S202305-C10		Eprod	2023.11.20

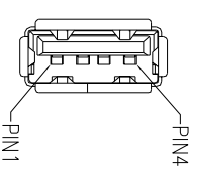
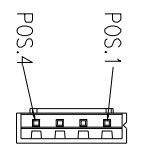


WATERPROOF RATE: IP67
Conn.1

CONN.2	WIRE COLOR	CONN.1
1	RED (24AWG)	1
2	BLACK(24AWG)	2
3	GREEN(28AWG)	3
4	WHITE (28AWG)	4

Twisted Pair

CONN.2	PIN DEFINE	CONN.1
1	PIN.1	1
2	PIN.2	2
3	PIN.3	3
4	PIN.4	4



NOTES:

1. WATERPROOF DEGREE OF PROTECTION: IP67(WHEN PROPERLY MATED)
2. RATING: 30V 1A
3. SPECIFICATIONS:SEE "USB SERIES SPECIFICATIONS".
4. TO CONFORM TO SINGATRON HAZARDOUS SUBSTANCE FREE SPEC.
5. GREEN PRODUCT IDENTIFICATION LABEL ON PACKAGING:
6. FOR PANEL THICKNESS MAX:4.0mm
7. TEMPERATURE RANGE: -20~80℃
8. TIGHTENING TORQUES: 0.8~1.0Nm.

NO	DESCRIPTION	QTY	MATERIAL	PLATING & COLOR
M	CABLE TIE	1	NYLON	WHITE
L	CORE	1	ID:20mm CERGEN/ES5191-01	GREEN
K	WATERPROOF CAP	1	ZUB3001-W0000W	BLACK
J	TERMIANL	4	JWT A2501TOP-00	GOLD PLATING
I	HOUSING	1	JWT A2501H02-4P U194V-0	WHITE
H	SHRINK TUBE	2	125°C 300V	BLACK
G	CABLE	1	USB2.0 28#*1P+24#*2C+ADB,U.V Resistant FT4	BLACK PVC JACKET
F	USB A JACK	1	U194V-0	N/A
E	BODY	1	PC U194V-0	BLACK
D	SCREW NUT	1	NYLON66 U194-HB	BLACK
C	GASKET	1	EPDM	BLACK
B	GLUE	1	JAY73A+B	BLACK
A	PCB	1	FR-4 U194V-0	GREEN

UNLESS OTHERWISE SPECIFIED TOLERANCES

Suzhou Singatron Auto Electronics CO.,LTD.
苏州信益汽车电子有限公司

DECIMALS: ANGLES: TITLE WATERPROOF USB2.0 JACK TO CONNECTOR

X.XX :±0.5 X :±1.2
X.XX :±0.3 X.X :±1'
X.XX :±0.2

CHKD JUN SCALE 1:1 UNIT: mm
APVD JF SIZE: A4 SHEET:1 OF 1 REV:B

CUSTOMER COPY

Pin Assignments Front View