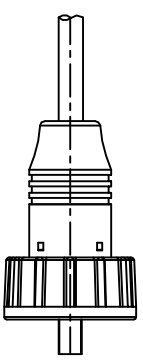
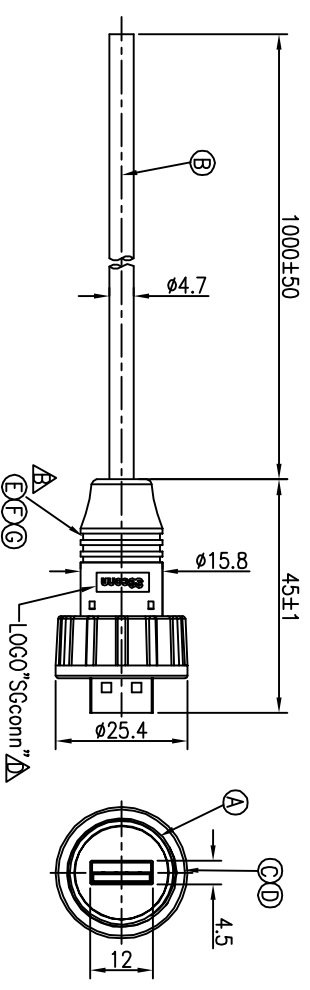
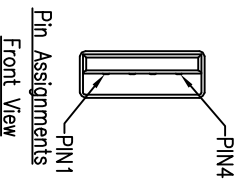


REV.	ECN NO.	OR DESCRIPTION	REVISED	DATE
A	PDR NO.:S101008-2A		HARLEN	2010.10.14
B	ECN NO.:S121018		LILY	2012.12.17
C	ECN NO.:S130571		Shawn	2013.09.29
D	ECN NO.:S151220-R		Blues	2015.12.10
E	ECN NO.:S202211-R10		JAY	2022.11.22



DRAIN	SHIELD
BLACK	4
GREEN	3
WHITE	2
RED	1
WIRE COLOR	CONN.
PIN OUT	



- NOTES:
1. WATERPROOF RATE: IP67
IP67: IMMERSED IN 1M WATER FOR 30 MINUTES
 2. RATING: 30V 1A
 3. SPECIFICATIONS:SEE "USB SERIES SPECIFICATIONS".
 4. TO CONFORM TO SINGATRON HAZARDOUS SUBSTANCE FREE SPEC.
 5. GREEN PRODUCT IDENTIFICATION LABEL ON PACKAGING:



G	TUBE	1	Ø1.0(125,300V)	BLACK
F	INNER MOLD	1	TPU	NATURAL
E	OVER MOLD	1	TPU	BLACK
D	GASKET	1	Silicone	BLACK
C	SCREW NUT	1	PC	BLACK
B	CABLE	1	USB2.0 28#*1P+24#*2C+ADB,UV Resistant	BLACK
A	USB PLUG	1	USB2.0 SMT	N/A

UNLESS OTHERWISE SPECIFIED TOLERANCES

Suzhou Singatron Auto Electronics CO.,LTD.
 苏州信音汽车电子有限公司

DECIMALS:	ANGLES:
X :±0.5	X :±2°
X.X :±0.3	X.X :±1°
X.XX :±0.2	

TITLE	USB 2.0 PLUG WITH CABLE			
DWN	JAY	PART NO.2UB3002-W05100		
CHKD	MF	SCALE 1:1	UNIT: mm	
APVD	JF	SIZE: A3	SHEET: 1 OF 1	REV: E

CUSTOMER COPY