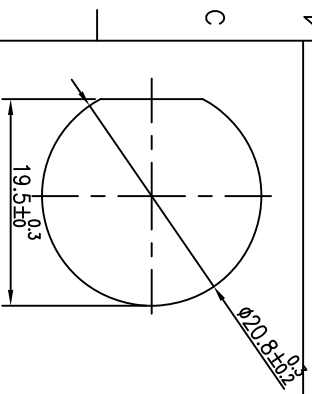
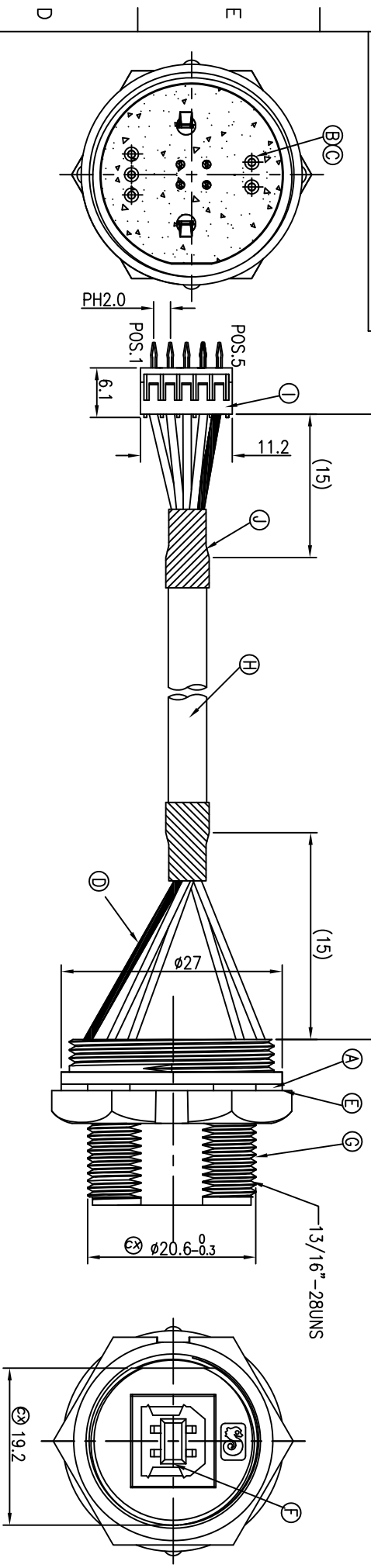
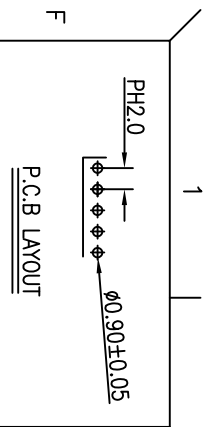
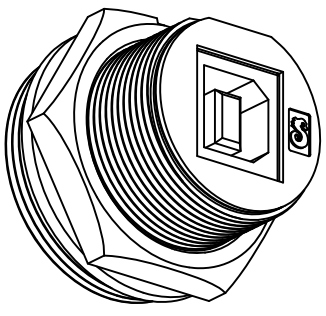


REV.	ECN NO OR DESCRIPTION	REVISED	DATE
A	PDR NO:S101008-2C	HARLEN	2010.10.14
B	ECN NO:S110424	HARLEN	2011.04.19



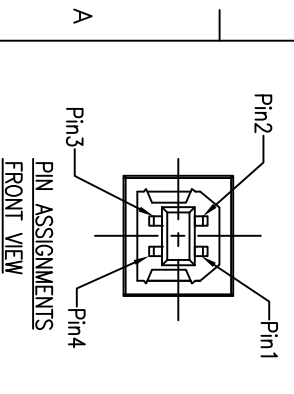
5	DRAIN	SHIELD
4	BLACK	4
3	GREEN	3
2	WHITE	2
1	RED	1

CONN.2 WIRE COLOR CONN.1
PIN OUT



J	HEAT SHRINK TUBE	2	POLYUFLEN Ø5.0 *1.15	BLACK
I	CONNECTOR	5	PHOSPHOR BRONZE	TIN PLATING
H	CABLE	1	Nylon UL94V-0 USB2.0 28#*1P+24# *2C+ADB, UV Resistant	WHITE BLACK
G	HOUSING	1	PPE(S40Z)	BLACK
F	USB B RECEPTACLE	1	USB B TYPE	N/A
E	SCREW NUT	1	PPE(S40Z)	BLACK
D	HEAT SHRINK TUBE	2	POLYUFLEN Ø1.0 *1.20	BLACK
C	LIQUID GLUE	1		BLACK
B	PCB	1	FR-4	GREEN
A	GASKET	1	EPDM SHORE A 70°	BLACK
NO	DESCRIPTION	QTY	MATERIAL	PLATING & COLOR

- NOTES:
1. WATERPROOF RATE: IP67
IP67: IMMERSED IN 1M WATER FOR 30 MINUTES
 2. RATING:30V 1A
 3. TO CONFORM TO SINGATRON HAZARDOUS SUBSTANCE FREE SPEC.
 4. GREEN PRODUCT IDENTIFICATION LABEL ON PACKAGING:
 5. FOR PANEL THICKNESS MAX OF 4.0mm



DECIMALS:	ANGLES:
X : ±0.5	X : ±.2°
X.X : ±0.3	X.X : ±.1°
X.XX : ±0.2	

TITLE	WATERPROOF USB 2.0 RECEPTACLE
DWN	19/09/2011.04.21
CHKD	20/11/2011.04.21
APVD	20/11/2011.04.21
PART NO.	2UB3003-W05100
SCALE	2:1
UNIT	mm
SIZE	A3
SHEET	1 OF 1
REV	B