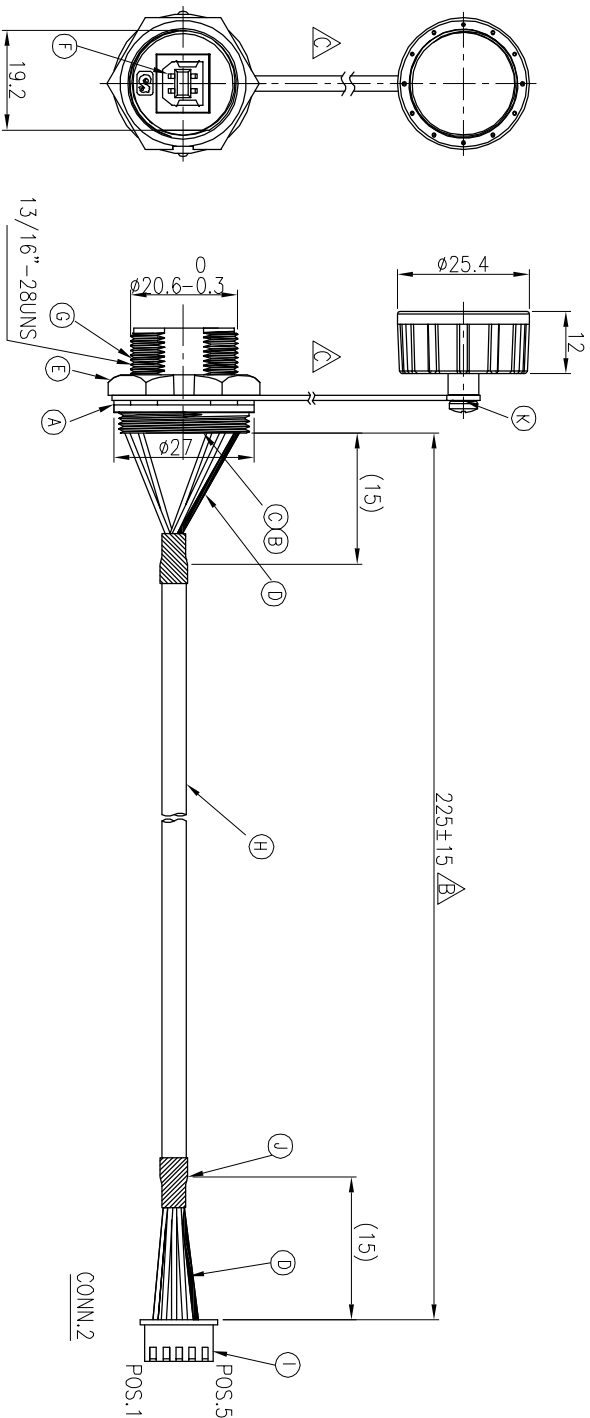
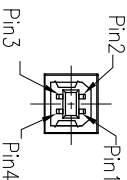


RECOMMENDED PANEL CUT-OUT



5	DRAIN	SHIELD
4	BLACK	4
3	GREEN	3
2	WHITE	2
1	RED	1
CONN.2 WIRE COLOR		CONN.1
PIN OUT		



PIN ASSIGNMENTS
FRONT VIEW

CONN.1

CONN.2

NOTES:

1. WATERPROOF RATE: IP67
IP67: IMMERSED IN 1M WATER FOR 30 MINUTES
2. RATING:30V 1A
3. TO CONFORM TO SINGATRON HAZARDOUS SUBSTANCE FREE SPEC.
4. GREEN PRODUCT IDENTIFICATION LABEL ON PACKAGING:
5. FOR PANEL THICKNESS MAX OF 4.0mm

REV.	ECN NO.	OR DESCRIPTION	REVISED	DATE
A	PDR NO:S120213-3A	HARLEN		2012.3.1
B	ECN NO:S120536	Shawn		2012.05.10
C	ECN NO:A181214-R	WF		2019.01.23

K	WATERPROOF CAP	1	P/N:2UB3001-W0000W	N/A
J	HEAT SHRINK TUBE	2	POLYOLEFIN ϕ 5.0 *1.15	BLACK
I	CONNECTOR	5	PHOSPHOR BRONZE	TIN PLATING
		1	Nylon UL94V-2	WHITE
H	CABLE	1	USB2.0 28#*1P+24#*2C+ADB,UV Resistant	BLACK
G	HOUSING	1	PPE	BLACK
F	USB B RECEPTACLE	1	USB B TYPE	N/A
E	SCREW NUT	1	PPE	BLACK
D	HEAT SHRINK TUBE	2	POLYOLEFIN ϕ 1.0 *1.20	BLACK
C	LIQUID GLUE	1	N/A	BLACK
B	PCB	1	FR-4	GREEN
A	GASKET	1	EPDM SHORE A 70'	BLACK
NO	DESCRIPTION	QTY	MATERIAL	PLATING & COLOR
UNLESS OTHERWISE SPECIFIED TOLERANCES				
Singatron Enterprise Co., Ltd. 信亨企業股份有限公司				
TITLE WATERPROOF USB 2.0 RECEPTACLE				
DWN	MF	PART NO.2UB3003-W05104H		
CHKD	Cerry	SCALE 2:1	UNIT: mm	
APVD	William	SIZE: A3	SHEET: 1 OF 1	REV: C

DECIMALS: ANGLES:
 X :±0.5 X :±2'
 X.X :±0.3 X.X :±1'
 X.XX :±0.2

CUSTOMER COPY