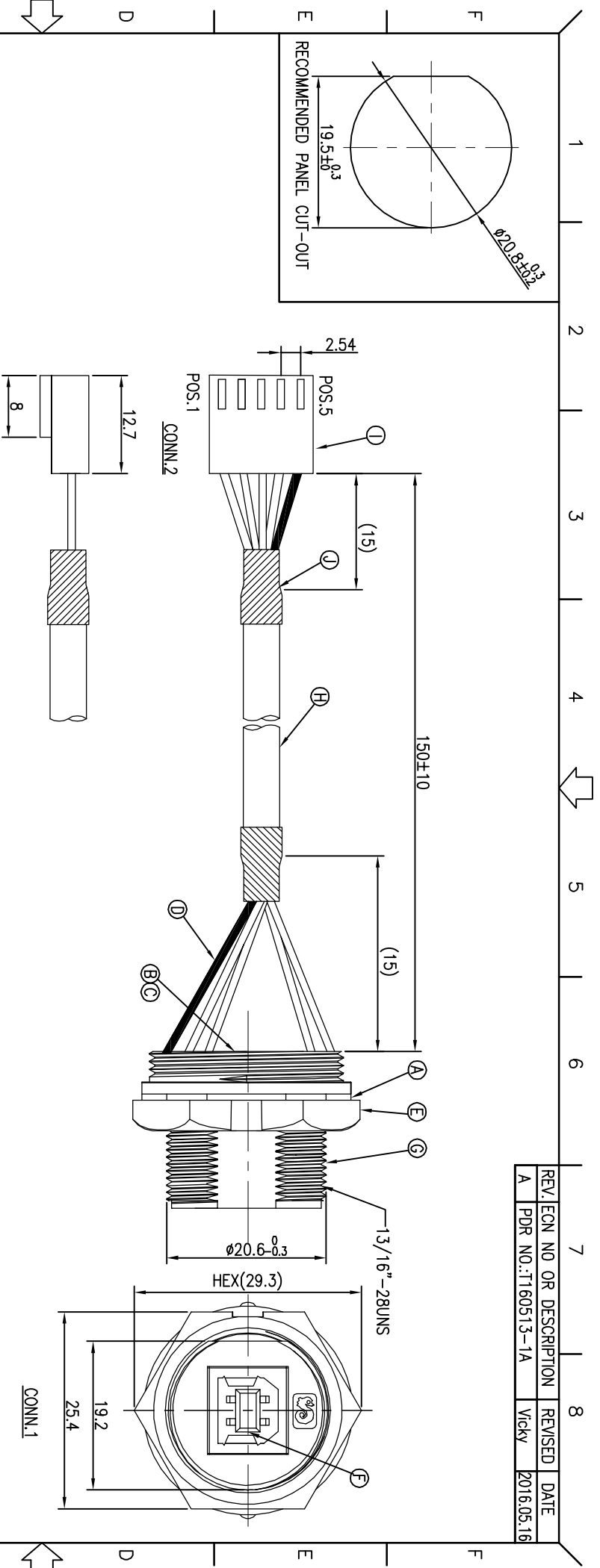
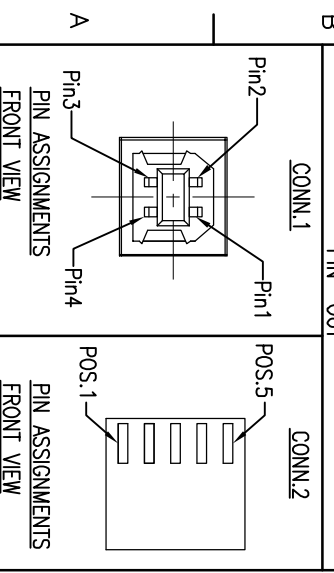


REV	ECN NO OR DESCRIPTION	REVISED	DATE
A	PDR NO.:T160513-1A	Vicky	2016.05.16



SHIELD	DRAIN	5
4	BLACK(24AWG)	4
3	GREEN(28AWG)	3
2	WHITE(28AWG)	2
1	RED (24AWG)	1
CONN.1 WIRE COLOR		CONN.2

PIN OUT		CONN.1	CONN.2
POS.1	POS.5		



- NOTES:
1. WATERPROOF RATE: IP67
IP67: IMMERSED IN 1M WATER FOR 30 MINUTES
 2. RATING:30V 1A
 3. TO CONFORM TO SINGATRON HAZARDOUS SUBSTANCE FREE SPEC.
 4. GREEN PRODUCT IDENTIFICATION LABEL ON PACKAGING:
 5. FOR PANEL THICKNESS MAX OF 4.0mm

J	HEAT SHRINK TUBE	2	POLYOLEFIN Ø5.0 L=15	BLACK
I	CONNECTOR	5	PHOSPHOR BRONZE	TIN PLATING
		1	Nylon UL94V-0	WHITE
H	CABLE	1	USB2.0 28#*1P+24# *2C+ADB,UV Resistant	BLACK
G	HOUSING	1	PPE	BLACK
F	USB B RECEPTACLE	1	USB B TYPE	N/A
E	SCREW NUT	1	PPE	BLACK
D	HEAT SHRINK TUBE	2	POLYOLEFIN Ø1.0 *L=20	BLACK
C	LIQUID GLUE	1	N/A	BLACK
B	PCB	1	FR-4	GREEN
A	GASKET	1	EPDM SHORE A 70'	BLACK
NO	DESCRIPTION	QTY	MATERIAL	PLATING & COLOR

UNLESS OTHERWISE SPECIFIED TOLERANCES

DECIMALS: ANGLES:

±0.5 X ±.2'
±0.3 X.X ±.1'
±0.2 X.XX ±.02

Singatron Enterprise Co., Ltd.
信登企業股份有限公司

TITLE WATERPROOF USB 2.0 RECEPTACLE

DWN Vicky PART NO.2UB3003-W05111H
CHKD Horlen SCALE 2:1 UNIT: mm
APVD Steve SIZE: A3 SHEET: 1 OF 1 REV: A

CUSTOMER COPY