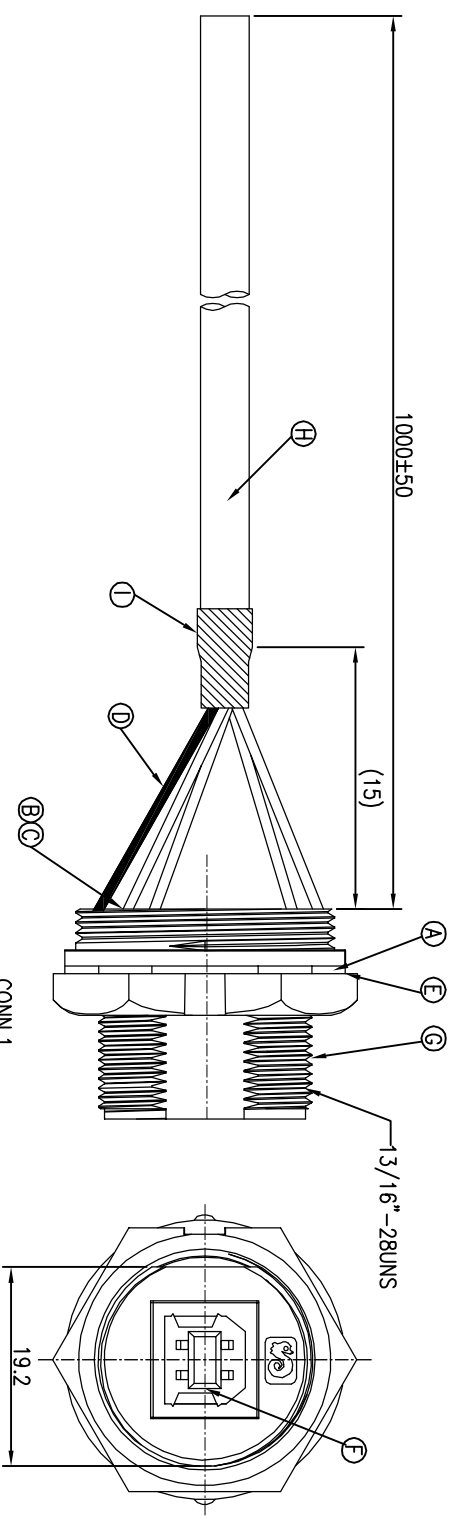
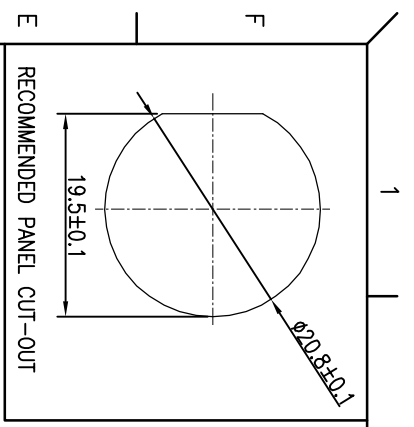
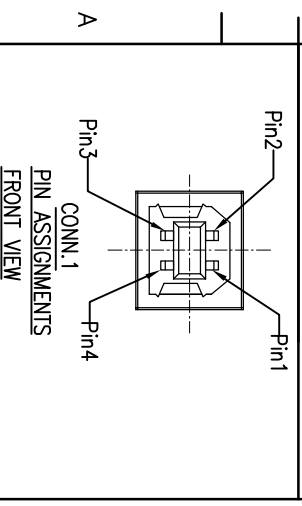


REV.	ECN NO OR DESCRIPTION	REVISED	DATE
A	PDR NO.S150907-1A	Wcky	2015.08.27



CONN.1  
WATERPROOF RATE: IP67

C	DRAIN	SHIELD
	BLACK	4
	GREEN	3
	WHITE	2
	RED	1
B	WIRE COLOR	CONN.1
	PIN OUT	



NOTES:

- ELECTRICAL CHARACTERISTICS:
  - 1-1 CURRENT RATING: 1.0 AMPS.
  - 1-2 CONTACT RESISTANCE: 3 Ohm Max.
  - 1-3 INSULATION RESISTANCE: 30 Mohm Min. at 300VDC.
  - 1-4 BREAKDOWN VOLTAGE: 300 VAC PER MINUTE.
- ENVIRONMENTAL:
  - 2-1 OPERATING TEMPERATURE: -40°C TO +80°C.
  - 2-2 SEALING REQUIREMENTS: IP67.
- OTHER GENERAL SPEC. TO REFER "USB WPC SPEC."
- FOR TECHNICAL DATA REFER TO YOUR LOCAL SINGATRON ELECTRONICS SALES OFFICE.
- ALL DIMENSIONS ARE NOMINAL FOR REFERENCE ONLY UNLESS OTHERWISE STATED.
- TO CONFORM TO SINGATRON HAZARDOUS SUBSTANCE FREE SPEC.
- GREEN PRODUCT IDENTIFICATION LABEL ON PACKAGING:

I	HEAT SHRINK TUBE	1	POLYOLEFIN $\phi$ 5.0	BLACK
H	CABLE	1	USB2.0 28#**1P+24#*2C+ADB.UV	BLACK
G	HOUSING	1	PPE	BLACK
F	USB B RECEPTACLE	1	USB B TYPE	N/A
E	SCREW NUT	1	PA66	BLACK
D	HEAT SHRINK TUBE	1	POLYOLEFIN $\phi$ 1.0	BLACK
C	LIQUID GLUE	1	N/A	BLACK
B	PCB	1	FR-4	GREEN
A	GASKET	1	EPDM SHORE	BLACK
NO	DESCRIPTION	QTY	MATERIAL	PLATING & COLOR

UNLESS OTHERWISE SPECIFIED TOLERANCES

Singatron Enterprise Co., Ltd.  
信登企業股份有限公司

DECIMALS:	ANGLES:
X :±0.5	X :±2°
X.X :±0.3	X.X :±1°
X.XX :±0.2	

TITLE	WATERPROOF USB 2.0 RECEPTACLE
DMW Wcky	PART NO.2UB3003-W05112H
CHKD Harlen	SCALE 2:1 UNIT: mm
APVD Steve	SIZE: A3 SHEET:1 OF 1 REV: A

CUSTOMER COPY