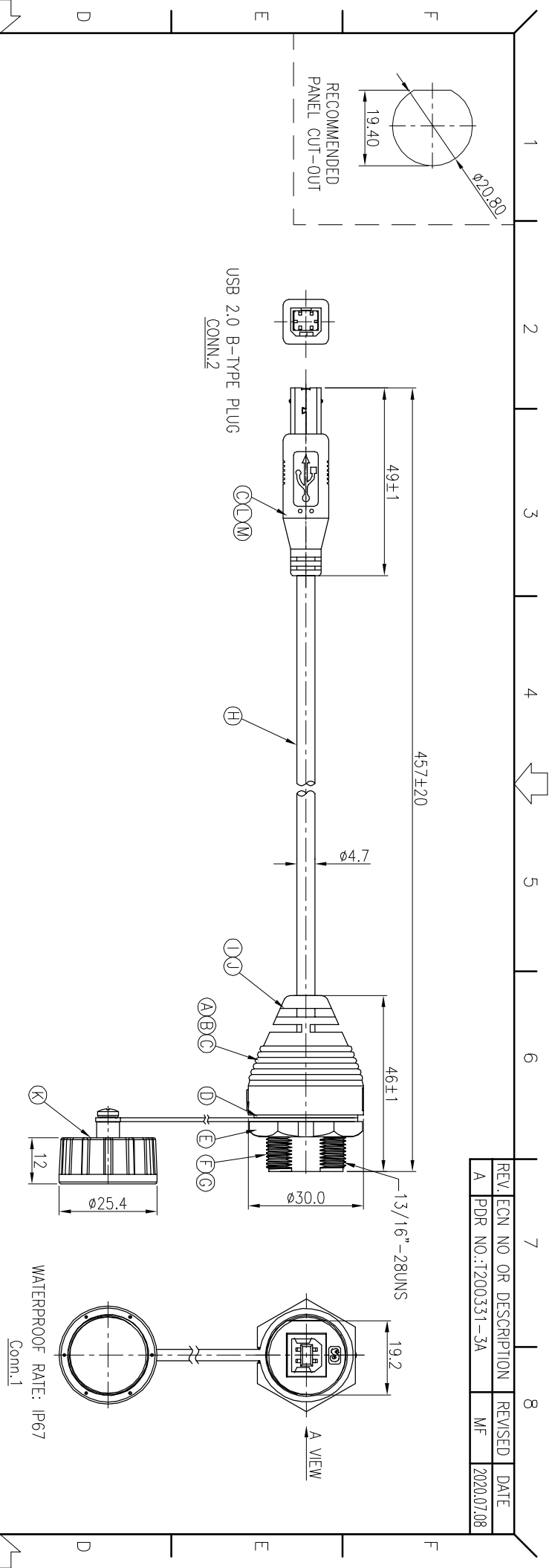
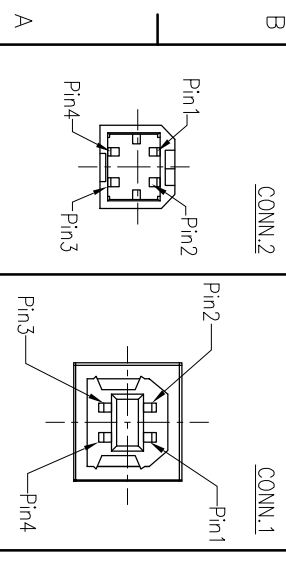


REV.	ECN NO.	OR DESCRIPTION	REVISED	DATE
A	PDR NO.:T200331-3A		MF	2020.07.08



SHIELD	DRAIN	SHIELD
4	BLACK(24AWG)	4
3	GREEN(28AWG)	3
2	WHITE (28AWG)	2
1	RED (24AWG)	1
CONN.2		CONN.1
WIRE COLOR		
PIN OUT		



- NOTES:
1. WATERPROOF RATE: IP67
 2. IP67: IMMERSED IN 1M WATER FOR 30 MINUTES
 3. RATING: 30V 1A
 4. TO CONFORM TO SINGATRON HAZARDOUS SUBSTANCE FREE SPEC.
 5. GREEN PRODUCT IDENTIFICATION LABEL ON PACKAGING:
 6. FOR PANEL THICKNESS MAX:2.5mm

Pin Assignments	Front View
1	2

M	OVER MOLD	1	PVC	BLACK
L	USB PLUG 2.0	1	N/A	B-TYPE
K	WATERPROOF CAP	1	P/N:2UB3001-W0000W	N/A
J	INNER MOLD	1	LD-PE	NATURAL
I	OVER MOLD	1	TPU	BLACK
H	CABLE	1	28#*1P+24#*2C+ADB UV Resistant OD4.7mm	BLACK(PVC JACKET)
G	USB B JACK	1	USB B TYPE	WHITE PLASTIC
F	BODY	1	PPE	BLACK
E	PANEL NUT	1	PPE	BLACK
D	GASKET	1	EPDM	BLACK
C	HEAT SHRINK TUBE	2	125°C 300V	BLACK
B	LIQUID GLUE	1	N/A	BLACK
A	PCB	1	FR-4	GREEN
NO	DESCRIPTION	QTY	MATERIAL	PLATING & COLOR
UNLESS OTHERWISE SPECIFIED TOLERANCES				
Singatron Enterprise Co., Ltd. 信晉企業股份有限公司				
TITLE		WATERPROOF USB 2.0 B TYPE JACK		
DWM	MF	PART NO.2UB3003-W05121H		
CHKD	Cerry	SCALE 1:1	UNIT: mm	
APVD	William	SIZE: A3	SHEET: 1 OF 1	RPV: A
CUSTOMER COPY				