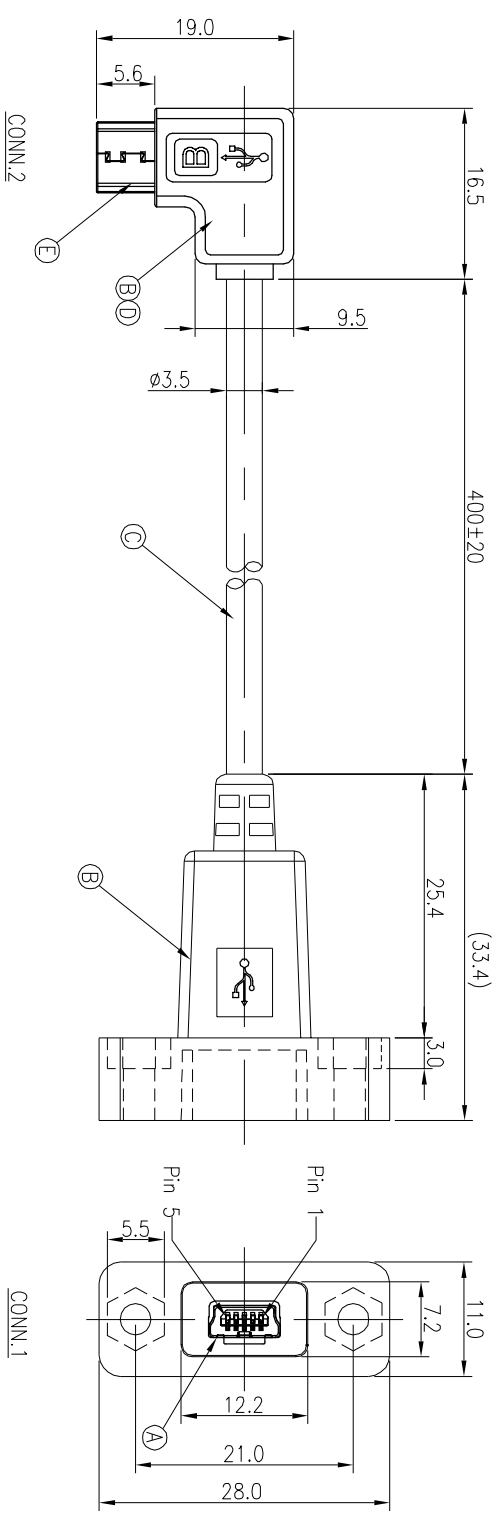
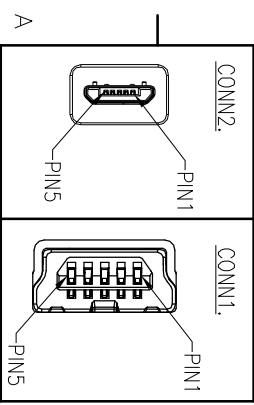


REV	ECN NO	OR DESCRIPTION	REVISED	DATE
A	PDR NO.:S150727-4A	JF		2016.11.12



C	5	BLACK	5
	4 <td>YELLOW <td>4</td> </td>	YELLOW <td>4</td>	4
	3 <td>GREEN <td>3</td> </td>	GREEN <td>3</td>	3
	2 <td>WHITE <td>2</td> </td>	WHITE <td>2</td>	2
	1 <td>RED <td>1</td> </td>	RED <td>1</td>	1

B	CONN.2	WIRE COLOR	CONN.1
	PIN	OUT	



- NOTES:
1. RATING:30V 1A
 2. SPECIFICATIONS:SEE "USB SERIES SPECIFICATIONS".
 3. TO CONFORM TO SINGATRON HAZARDOUS SUBSTANCE FREE SPEC.
 4. GREEN PRODUCT IDENTIFICATION LABEL ON PACKAGING:

E	USB B PLUG	1	MICRO USB B TYPE	GOLD FLASH(CONTACT)
D	INNER MOLD	1	TPU	BLACK
C	CABLE	1	UL2725 28#*5C+AL +F 0D3.5mm	BLACK
B	OVER MOLD	2	PVC	BLACK
A	USB B RECEPTACLE	1	MINI USB B TYPE	GOLD FLASH(CONTACT)
NO	DESCRIPTION	QTY	MATERIAL	PLATING & COLOR

Singatron Enterprise Co., Ltd.
信營企業股份有限公司

UNLESS OTHERWISE SPECIFIED TOLERANCES		TITLE		MINI USB B TYPE RECEPTACLE	
DECIMALS:	ANGLES:	DWN	JF	PART NO.:2UB3017-W05104H	
X : ±0.5	X : ±2°	CHKD	Yang	SCALE	2:1
X.X : ±0.3	X.X : ±1°	APVD	Horlen	UNIT:	mm
X.XX : ±0.2				SHEET:	1 OF 1
				REV:	A

CUSTOMER COPY