


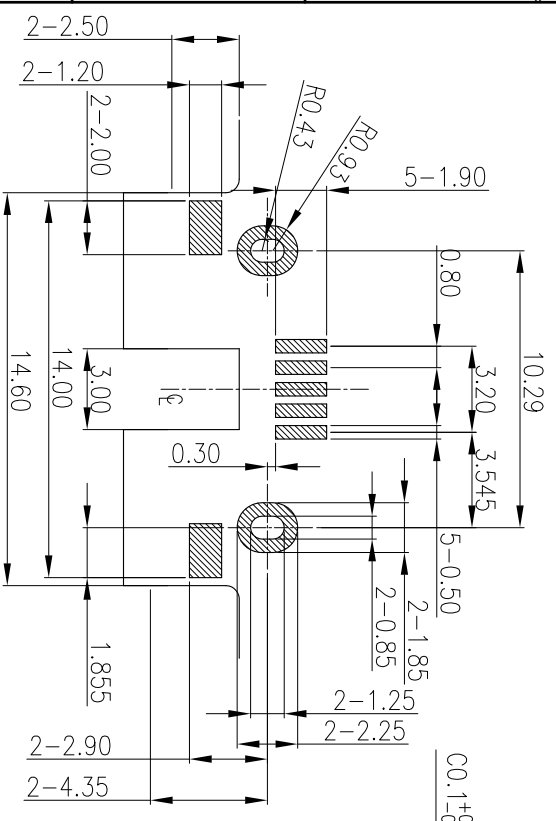
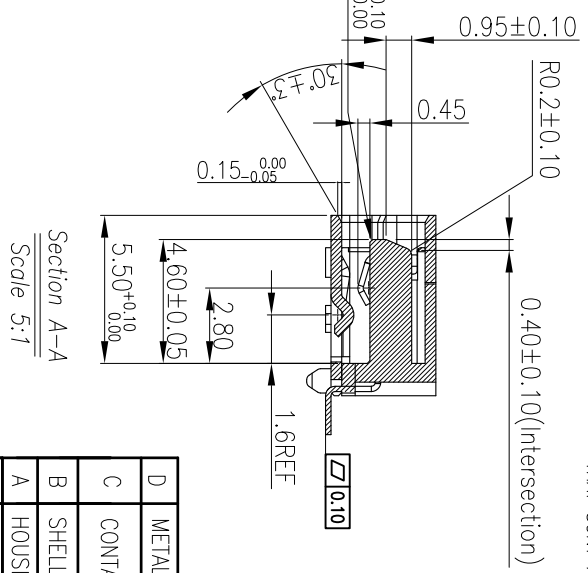
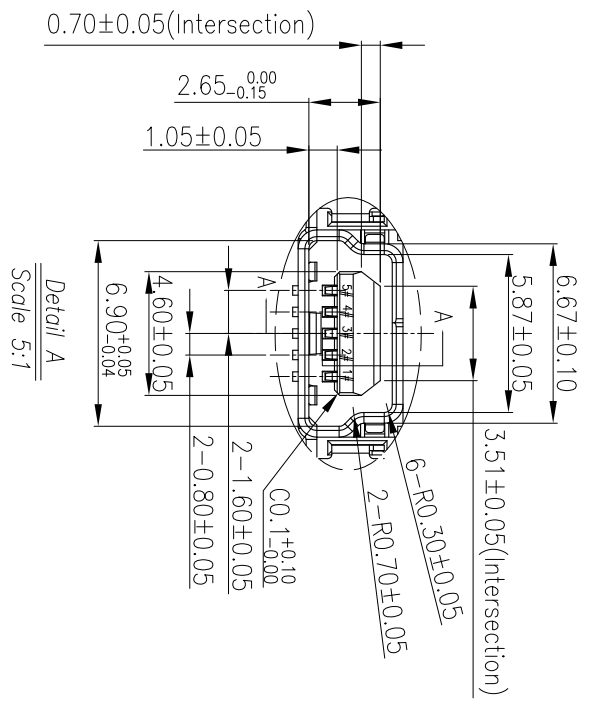
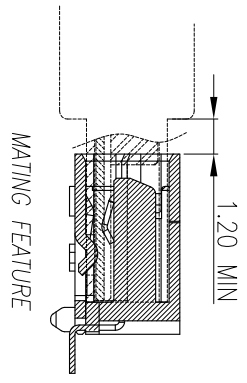
REV.	ECN NO OR DESCRIPTION	REVISED	DATE
A	PDR NO.T130522-1A	Edi:Zhou	2013.9.11

UNLESS OTHERWISE SPECIFIED TOLERANCES		Singatron Enterprise Co., Ltd. 信晉企業股份有限公司	
DECIMALS:	ANGLES:	TITLE	
X : ±0.5	X : ±2°	MINI USB CONNECTOR	
XX : ±0.3	XX : ±1°	DWN	Edi:Zhou
XX : ±0.2		CHKD	PART NO. 2UB3504-080111F
		APVD	SCALE 1:1
			UNIT: mm
			SIZE: A3
			SHEET: 10F2
			REV: A

CUSTOMER COPY

REV.	ECN NO OR DESCRIPTION	REVISED	DATE
A	PDR NO:T130522-1A	Edi.Zhou	2013.09.11

- NOTES:
- ELECTRICAL CHARACTERISTICS:
    - CURRENT RATING: 1.0A MAX
    - WORKING RATED VOLTAGE: 30V DC
    - CONTACT RESISTANCE: 50mΩ MAX.
    - DILECTRIC WITHSTANDING VOLTAGE: 100V AC FOR ONE MINUTE.
    - INSULATION RESISTANCE: 100MΩ MIN. MEASURED BY 100 VDC
  - MECHANICAL CHARACTERISTICS:
    - INSERTION FORCE: 3.57 Kgf MAX
    - WITHDRAWAL FORCE: 0.7 Kgf MIN
    - AFTER LIFE TEST: 0.31 kgf MIN
    - LIFE TEST: 5000 CYCLES MIN.
    - PACKING: TAPE & REEL
    - HALOGEN FREE PRODUCT IDENTIFICATION LABEL ON PACKAGING: 
  - ALL THE MATERIALS USED SHOULD COMPLY WITH THE STANDARD OF SS-00259, LEVEL 1 ENVIRONMENT-RELATED SUBSTANCES SHOULD NEVER BE USED. PURCHASE RECYCLED RESIN-COATED WIRE ONLY FROM THE BUSINESS PARTNERS THAT SONY APPROVES AS GREEN PARTNERS.



1	VCC
2	-DATA
3	+DATA
4	ID
5	GROUND
PIN NO.	PIN NAME

NO	DESCRIPTION	QTY	MATERIAL	PLATING & COLOR
D	METAL EAR	2	COPPER ALLOY	50μ" MIN. NICKEL UNDER PLATING 10" GOLD FLASH OVER ALL
C	CONTACT	5	COPPER ALLOY	50" MIN GOLD AND 30μ" MIN PINK PLATING R10 CONTACT MATING AREA UNDER PALL AND THICKENING UNDER PLATING 50μ" MIN NICKEL UNDER PLATING
B	SHELL	1	COPPER ALLOY	40μ" MIN NICKEL PLATING
A	HOUSING	1	HIGH THERMOPLASTIC	BLACK

RECOMMENDED PCB LAYOUT(thickness 1.2mm)

TOP VIEW(TOLERANCE ±0.05)

DECIMALS:	ANGLES:	TITLE	MINI USB CONNECTOR
X : ±0.5	X : ±2°	DWN	Edi.Zhou
X.X : ±0.3	X.X : ±1'	CHKD	SCALE 1:1
X.XX : ±0.2		APVD	Boye
			SIZE: A3
			SHEET: 20F2
			REV: A

Singatron Enterprise Co., Ltd.  
信音企業股份有限公司

CUSTOMER COPY