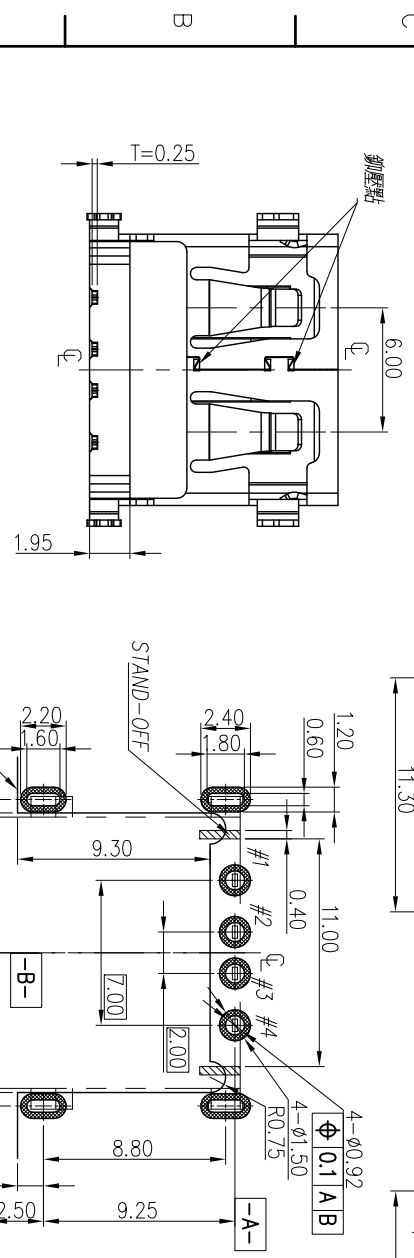
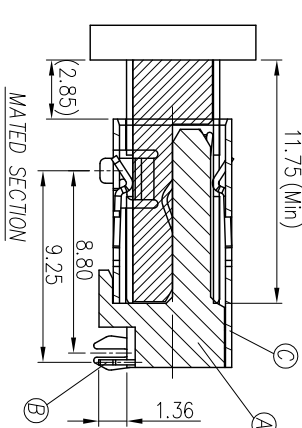
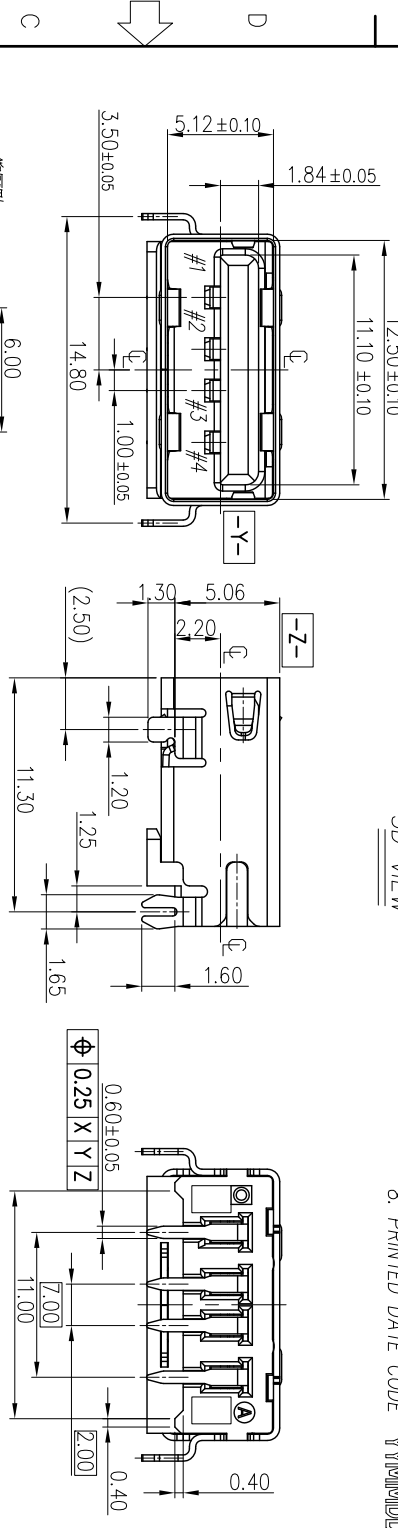


3D VIEW

- SPECIFICATIONS:**
- ELECTRICAL CHARACTERISTICS:**
 - CONTACT RESISTANCE: 30mΩ MAX.(INITIAL)
AFTER LIFE TEST 50mΩ.
 - DIELECTRIC WITHSTANDING VOLTAGE: 100V AC FOR ONE MINUTE.
 - INSULATION RESISTANCE: 100MΩ MIN. MEASURED BY 500 VDC.
 - MECHANICAL CHARACTERISTICS:**
 - INSERTION FORCE : 3.5 KGF Max.
 - WITHDRAWAL FORCE : 1.0~3.5 KGF (INITIAL).
 - LIFE TEST: 5,000 CYCLES.
 - TO CONFORM TO SINGATRON HAZARDOUS SUBSTANCE FREE SPEC.
 - HALOGEN FREE PRODUCT IDENTIFICATION MARK ON JACK.
 - HALOGEN FREE PRODUCT IDENTIFICATION LABEL ON PACKAGING.
 - FOR REFLOW SOLDERING LEAD-FREE PROCESS.
 - PRINTED DATE CODE "YYMMDD" ON TOP OF CONNECTOR.



NO	DESCRIPTION	QTY	MATERIAL	PLATING & COLOR
C	SHELL	1	STAINLESS STEEL, T=0.30	NICKEL 60U"MIN
B	4 PIN TERMINAL	4	COPPER ALLOY, T=0.25	GOLD FLASH ON CONTACT AREA Note: Sn 120um Min. PLATED ON SOLDERING, 50um NICKEL UNDER PLATING OVER ALL.
A	HOUSING	1	HIGH TEMP. THERMOPLASTIC	UL94V-0, BLACK

REMARK	Pin Number	Signal ASSIGNMENT
USB2.0	PIN 1	VBUS
	PIN 2	D-
CONTACT PIN	PIN 3	D+
	PIN 4	GND

TITLE	USB 2.0, A
DWM	YUREN
CHKD	SOLDER
APVD	BOYE

Singatron Enterprise Co., Ltd.
信亨企業股份有限公司

RoHS Compliant HF