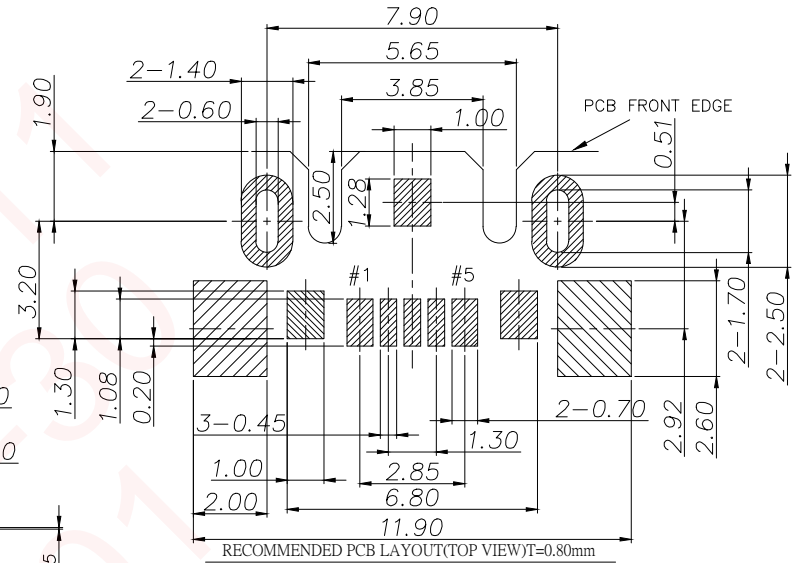
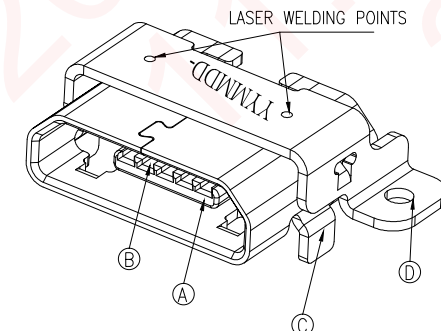
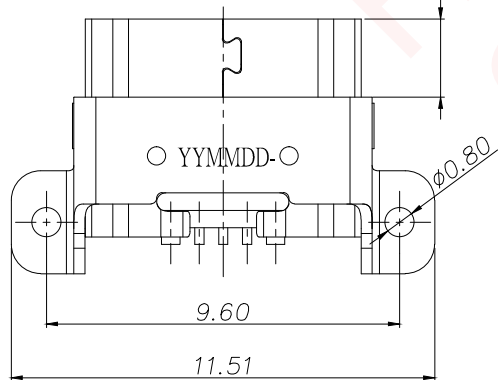
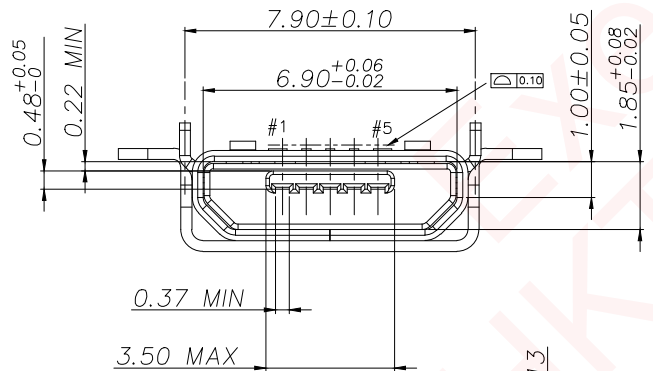
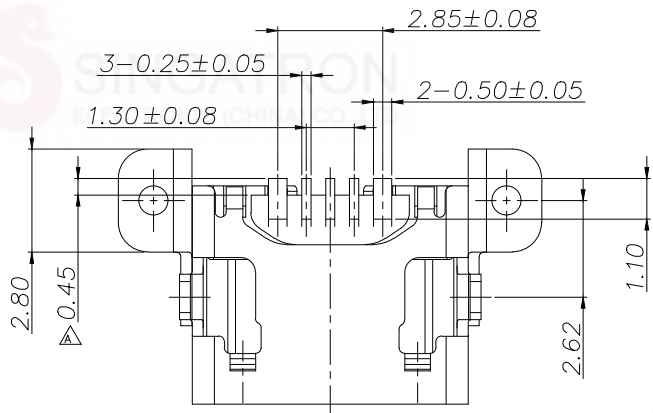


| REV. | ECN NO OR DESCRIPTION | REVISED | DATE |
|------|-----------------------|---------|------------|
| A | PDR NO:T140411-8A | TOMMY | 2015.06.20 |



- RECOMMENDED PCB LAYOUT(TOP VIEW)T=0.80mm
- SPECIFICATIONS: (TOLERANCE: ±0.05)
- ELECTRICAL CHARACTERISTICS:
 - RATING: PIN1 & PIN5: 30VAC 3.0A. PIN2, PIN3 & PIN4: 30VAC 0.5A.
 - CONTACT RESISTANCE: 50 milliohms MAX.(INITIAL)
 - DIELECTRIC WITHSTANDING VOLTAGE: 500V AC FOR ONE MINUTE.
 - INSULATION RESISTANCE: 100M MIN. MEASURED BY 500 VDC.
 - MECHANICAL CHARACTERISTICS:
 - INSERTION FORCE :2.5KGF MAX.
 - WITHDRAWAL FORCE : 1.0KGF - 2.0KGF.
 - LIFE TEST: 10,000 CYCLES.

| D | SHELL COVER | 1 | STAINLESS STEEL,0.3T | BLACK Ni 60u" Min. |
|----|-------------|-----|----------------------|--|
| C | SHELL | 1 | STAINLESS STEEL,0.3T | BLACK Ni 60u" Min. |
| B | TERMINAL | 5 | COPPER ALLOY,0.20T | GOLD FLASH(1~3u") ON CONTACT AREA; GOLD FLASH(1~3u") ON SOLDER TAIL; ALL OVER Ni 50u" Min. |
| A | BODY | 1 | PA-9T UL 94-V0 | BLACK |
| NO | DESCRIPTION | QTY | MATERIAL | PLATING & COLOR |

UNLESS OTHERWISE SPECIFIED TOLERANCES

Singatron Enterprise Co., Ltd.
信音企業股份有限公司

| | | | | |
|---|-------------------------------|--|---|-------|
| DECIMALS: X :±0.5 X.X :±0.3 X.XX :±0.2 | ANGLES: X :±2° X.X :±1° | TITLE DWN TOMMY CHKD BOYE APVD BOYE | MICRO USB REVERSE (B TYPE) PART NO.2UB3800-000111F SCALE:N/A UNIT: mm SIZE: A3 SHEET:1 OF 1 | REV:A |
|---|-------------------------------|--|---|-------|

CUSTOMER COPY