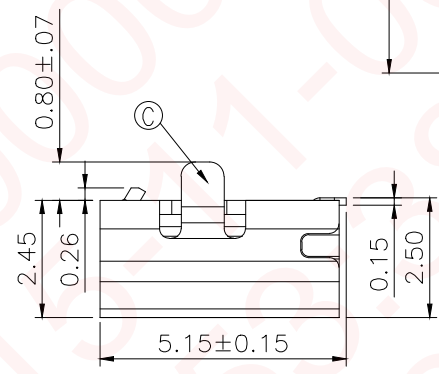
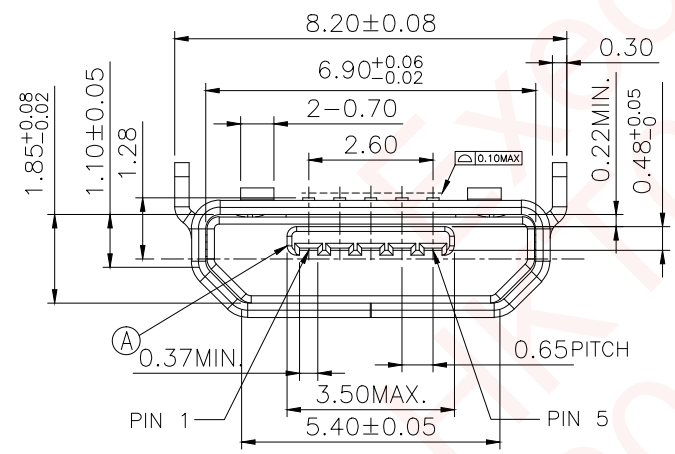
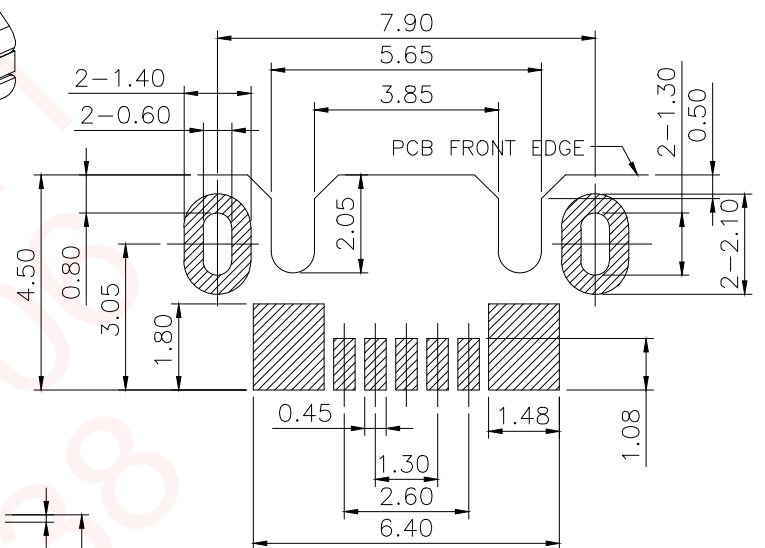
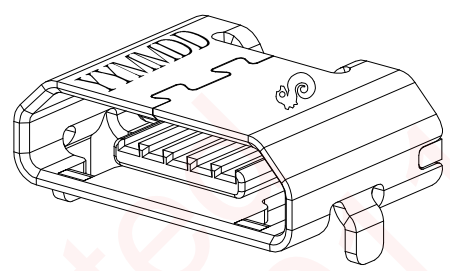
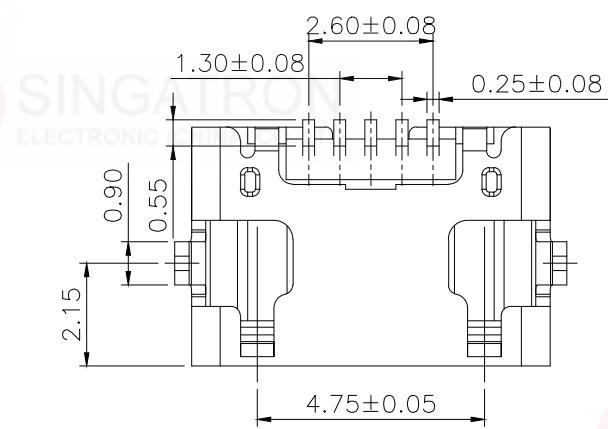
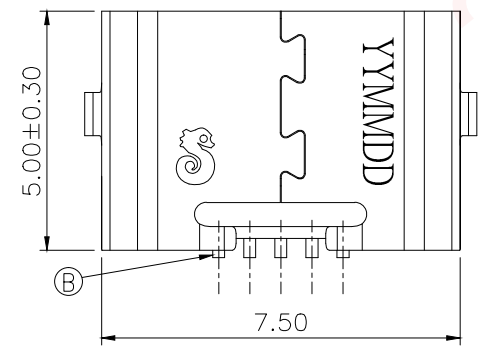


REV.	ECN NO OR DESCRIPTION	REVISED	DATE
A	PDR NO. T150630-1A	TOMMY	2015.10.20



RECOMMENDED PCB LAYOUT(TOP VIEW)T=1.20mm
(TOLERANCE: ±0.05)

- SPECIFICATIONS:
- ELECTRICAL CHARACTERISTICS:
 - 1-1. RATING:PIN1&PIN5 AC 30V 1.8A,0.5A FOR PIN2&PIN3&PIN4
 - 1-2. CONTACT RESISTANCE: 50m MAX.(INITIAL)
 - 1-3. DIELECTRIC WITHSTANDING VOLTAGE: 500V AC FOR ONE MINUTE.
 - 1-4. INSULATION RESISTANCE: 100M MIN. MEASURED BY 500 VDC
 - MECHANICAL CHARACTERISTICS:
 - 2-1. INSERTION FORCE :2.5KGF MAX.
 - 2-2. WITHDRAWAL FORCE : 1.0KGF - 2.0KGF.
 - LIFE TEST: 10000 CYCLES MIN.
 - PART IS COMPLIANT TO EU ROHS DIRECTIVES 2002/95/EC AND 2011/65/EU



C	SHELL	1	STAINLESS STEEL,0.3T	MATTE TIN(鍍) 80U" Min. ALL OVER Ni 50 u" Min
B	TERMINAL	1	COPPER ALLOY,0.15T	Au 30 u" ON CONTACT AREA GOLD FLASH ON SOLDER TAIL ALL OVER Ni 50 u" Min
A	BODY	1	HIGH TEMP. THERMOPLASTIC UL 94V-0	BLACK
NO	DESCRIPTION	QTY	MATERIAL	PLATING & COLOR
UNLESS OTHERWISE SPECIFIED TOLERANCES			Singatron Enterprise Co., Ltd. 信音企業股份有限公司	
DECIMALS: X :±0.5 X.X :±0.3 X.XX :±0.2		ANGLES: X :±2° X.X :±1°		TITLE MICRO USB REVERSE
DWN	TOMMY	PART NO.2UB3800-005011F		
CHKD		SCALE:N/A	UNIT: mm	
APVD		SIZE: A3	SHEET:1 OF 1	REV:A
CUSTOMER COPY				