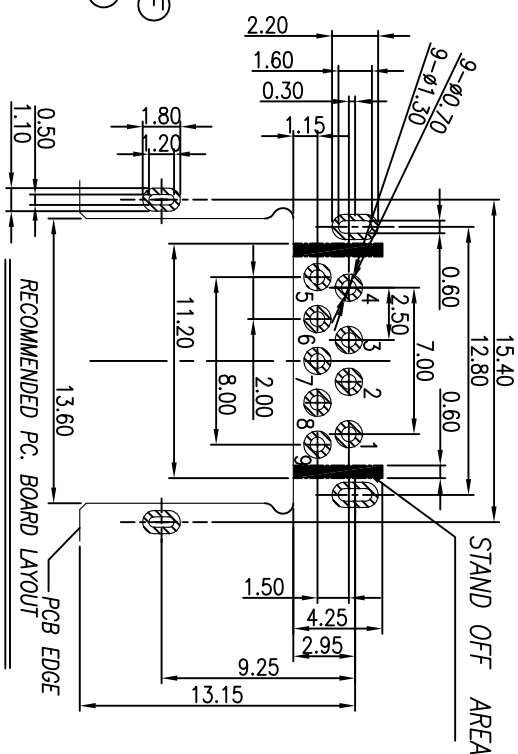
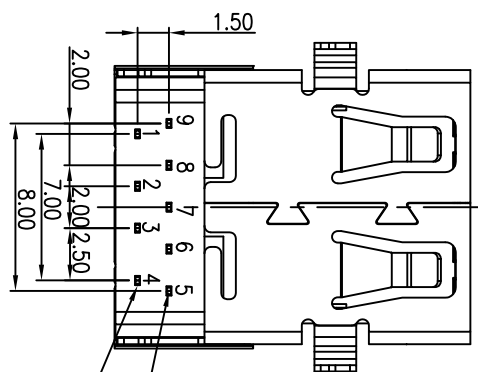
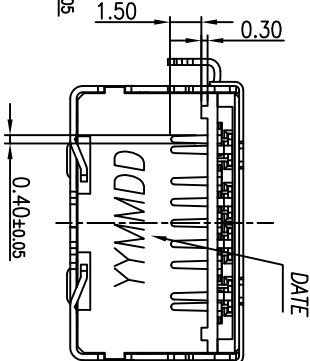
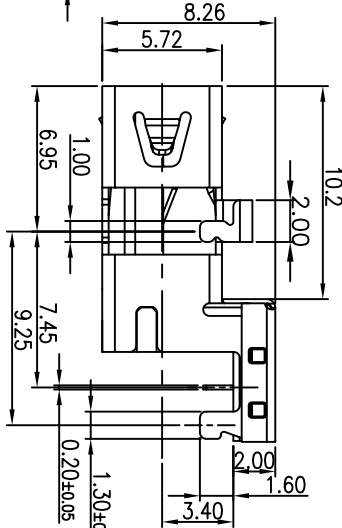
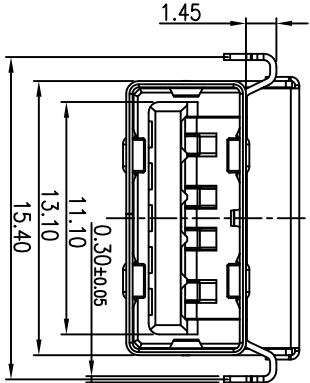
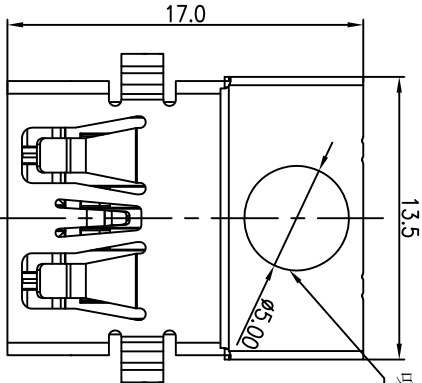
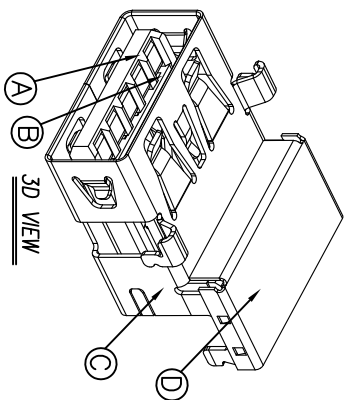


吸件參考區域



PCB THICKNESS=1.20mm  
(TOP VIEW)(TOL.±0.05)

REV/ECN NO OR DESCRIPTION	REVISED	DATE
A PDR NO.: T110823-5A	Soldier	2012.05.04
B ECN NO.: S120485	YUREN	2014.06.10
C ECN NO.: S141126	YUREN	2015.01.13

**SPECIFICATIONS:**

- ELECTRICAL CHARACTERISTICS:**
  - CURRENT RATING: 1.8A (PIN1,4) ; OTHER CONTACTS 0.25A
  - CONTACT RESISTANCE: 30mΩ MAX.
  - DELECTRIC WITHSTANDING VOLTAGE: 100V AC FOR 1 MINUTE
  - INSULATION RESISTANCE: 100MΩ MIN.
- MECHANICAL CHARACTERISTICS:**
  - INSERTION FORCE : 1.0~2.5 kgf
  - WITHDRAWAL FORCE : 1.0~2.5 kgf
  - DURABILITY: 5,000 CYCLES.
  - TO CONFORM TO SINGATRON HAZARDOUS SUBSTANCE FREE SPEC.
  - HALOGEN FREE PRODUCT IDENTIFICATION MARK IN JACK.Ⓢ
  - HALOGEN FREE PRODUCT IDENTIFICATION LABEL ON PACKAGING.
  - FOR REFLOW SOLDERING LEAD-FREE PROCESS.
  - DATE : YYMMDD
  - PACKAGING : TAPE & REEL.

Pin Number	Signal ASSIGNMENT
PIN 1	VBUS
PIN 2	D-
PIN 3	D+
PIN 4	GND
PIN 5	StDA SSRX-
PIN 6	StDA SSRX+
PIN 7	GND DRAIN
PIN 8	StDA SSTX-
PIN 9	StDA SSTX+

NO	DESCRIPTION	QTY	MATERIAL	PLATING & COLOR
H	Mylar	2	KAPTON 5.0x8.0	YELLOW
G	Mylar	1	KAPTON 11.0x8.0	YELLOW
F	TERMINAL	5	C2680R-H	GOLD FLASH ON MATING AREA 100% MIN. WATT. TIN PLATED ON SOLDERING 50% NICKEL UNDER PLATING OVERBALL
E	TERMINAL	4	C5210R-EH	GOLD FLASH ON MATING AREA 100% MIN. WATT. TIN PLATED ON SOLDERING 50% NICKEL UNDER PLATING OVERBALL
D	SHELL COVER	1	SUS304-H	NICKEL 60U"MIN
C	SHELL	1	SUS304-3/4H	NICKEL 60U"MIN
B	BASE	1	PA9T(G1300H)	BLUE(300C)
A	HOUSING	1	PA9T(G1300H)	BLUE(300C)
NO	DESCRIPTION	QTY	MATERIAL	PLATING & COLOR

UNLESS OTHERWISE SPECIFIED TOLERANCES

Singatron Enterprise Co., Ltd.  
信音企業股份有限公司

DECIMALS: ANGLES:  
X :±0.5 X :±2°  
X.X :±0.3 X.X :±1°  
X.XX :±0.2

TITLE USB 3.0 CONNECTOR

DWN YUREN PART NO. 2UB3900-000101F  
CHKD Cerry SCALE 4:1 UNIT: mm  
APVD Liao SIZE: A3 SHEET: 1 OF 1 REV: C

CUSTOMER COPY