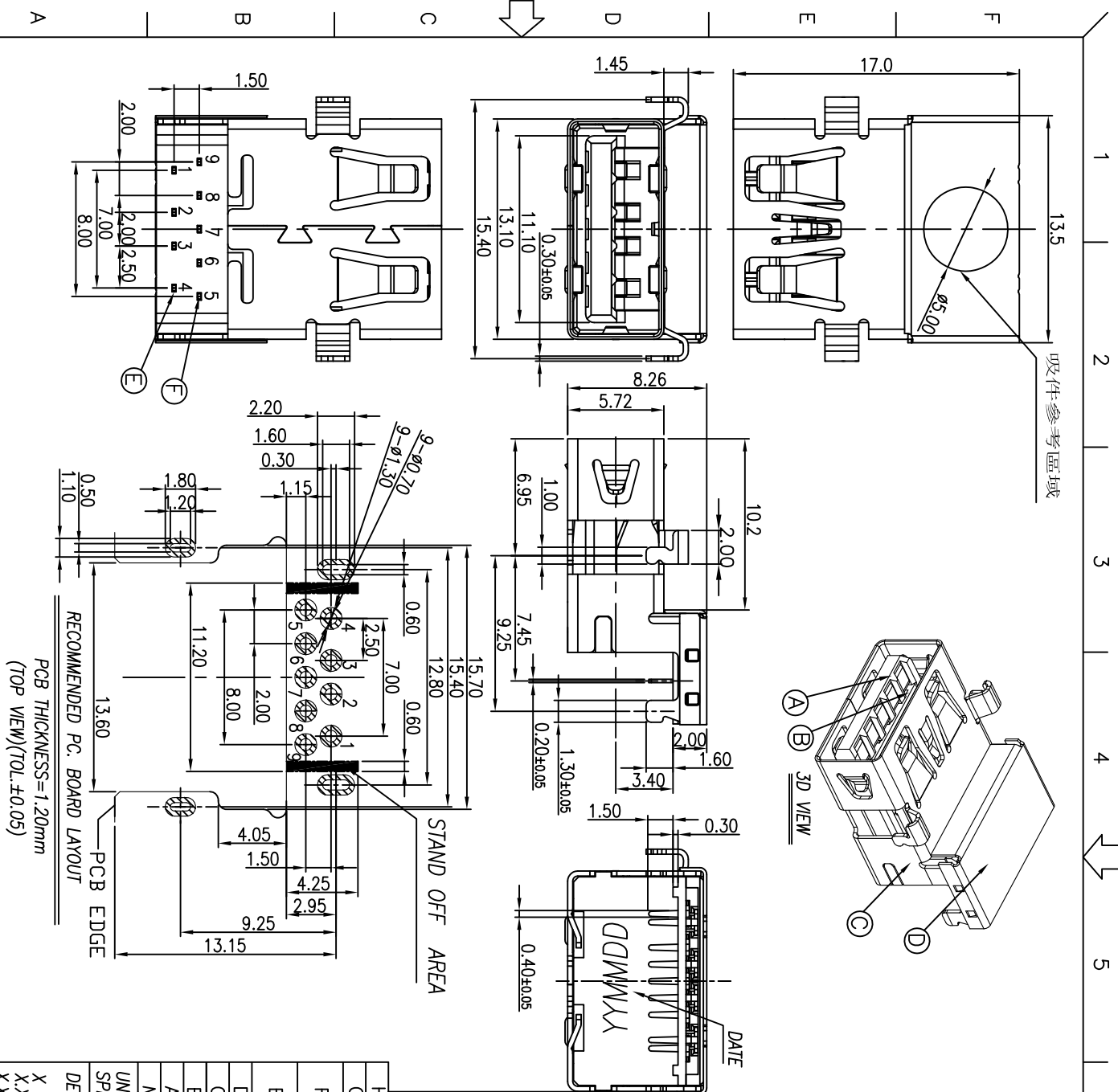
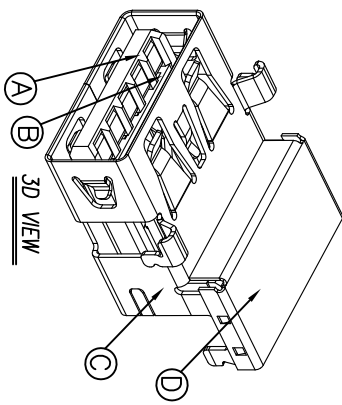


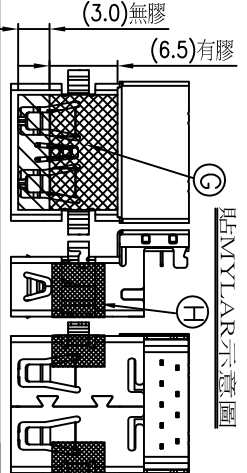
吸件參考區域



REV/ECN NO OR DESCRIPTION	REVISED	DATE
A PDR NO.: T120216-1A	Soldier	2012.05.04
B ECN NO.:S141126	YUREN	2015.01.13

SPECIFICATIONS:

- ELECTRICAL CHARACTERISTICS:
 - CURRENT RATING: 1.8A (PIN1,4) ; OTHER CONTACTS 0.25A
 - CONTACT RESISTANCE: 30mΩ MAX.
 - DIELECTRIC WITHSTANDING VOLTAGE: 100V AC FOR 1 MINUTE
 - INSULATION RESISTANCE: 100MΩ MIN.
- MECHANICAL CHARACTERISTICS:
 - INSERTION FORCE : 1.0~2.5 kgf
 - WITHDRAWAL FORCE : 1.0~2.5 kgf
- DURABILITY: 5,000 CYCLES.
- TO CONFORM TO SINGATRON HAZARDOUS SUBSTANCE FREE SPEC.
- HALOGEN FREE PRODUCT IDENTIFICATION LABEL IN JACK:Ⓢ
- HALOGEN FREE PRODUCT IDENTIFICATION LABEL ON PACKAGING:Ⓢ
- FOR REFLOW SOLDERING LEAD-FREE PROCESS.
- DATE : YMMDD
- PACKAGING : TAPE & REEL.



Pin Number/Signal Assignment	Color
PIN 1 VBUS	YELLOW
PIN 2 D-	YELLOW
PIN 3 D+	YELLOW
PIN 4 GND	YELLOW
PIN 5 SIDA SSRX-	YELLOW
PIN 6 SIDA SSRX+	YELLOW
PIN 7 GND SDRN	YELLOW
PIN 8 SIDA SSTX-	YELLOW
PIN 9 SIDA SSTX+	YELLOW

NO	DESCRIPTION	QTY	MATERIAL	PLATING & COLOR
H	MyIor	2	KAPTON 5.0x8.0	YELLOW
G	MyIor	1	KAPTON 11.0x9.5	YELLOW
F	TERMINAL	5	C2680R-H	GOLD FLASH ON MATING AREA 100*MIN WATT TIN PLATED ON SOLDERING 50*MINICKEL UNDER PLATING OVERBALL
E	TERMINAL	4	C5210R-EH	GOLD FLASH ON MATING AREA 100*MIN WATT TIN PLATED ON SOLDERING 50*MINICKEL UNDER PLATING OVERBALL
D	SHELL COVER	1	SUS304-H	NICKEL 60U*MIN
C	SHELL	1	SUS304-3/4H	NICKEL 60U*MIN
B	BASE	1	PA9T(G1300H)	BLUE(300C)
A	HOUSING	1	PA9T(G1300H)	BLUE(300C)
NO	DESCRIPTION	QTY	MATERIAL	PLATING & COLOR

UNLESS OTHERWISE SPECIFIED TOLERANCES:

Singatron Enterprise Co., Ltd.
信音企業股份有限公司

DECIMALS: ANGLES:

X :±0.5 X :±2°
X.X :±0.3 X.X :±1°
X.XX :±0.2

TITLE USB 3.0 CONNECTOR

DWN YUREN PART NO.2UB3900-002101F
CHKD Cerry SCALE 4:1 UNIT: mm
APVD Liao SIZE: A3 SHEET:1 OF 1 REV:B

CUSTOMER COPY