
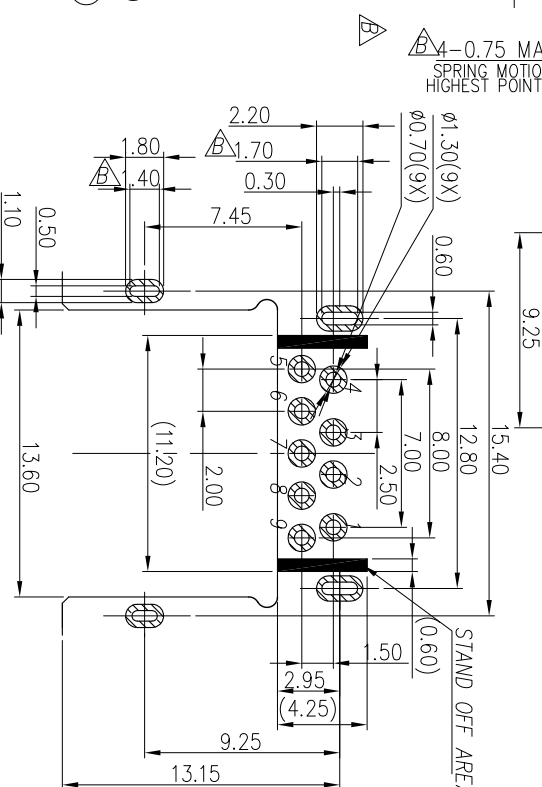
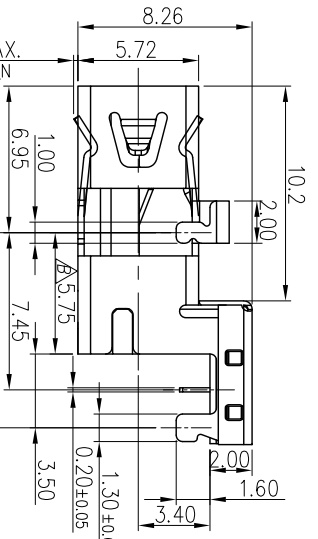
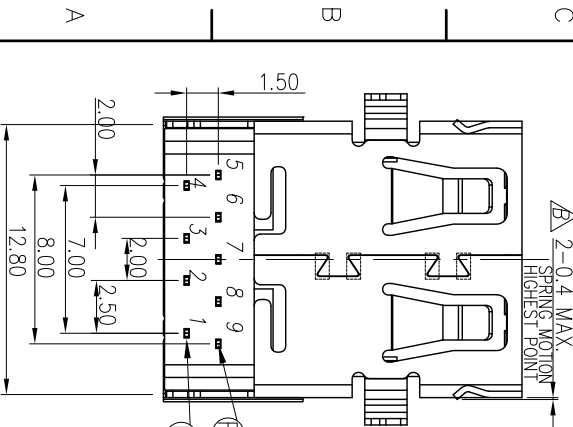
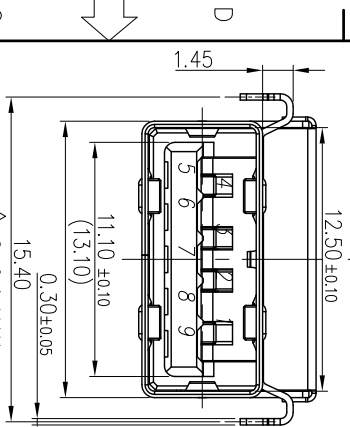
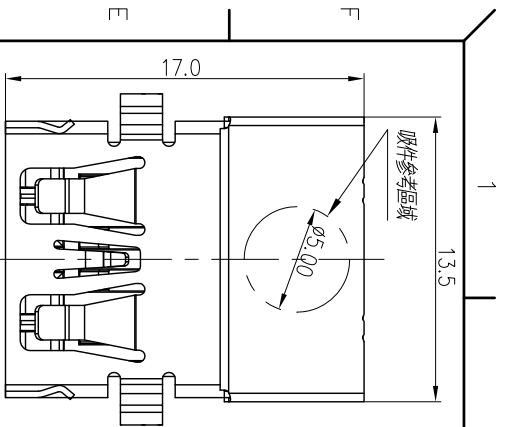
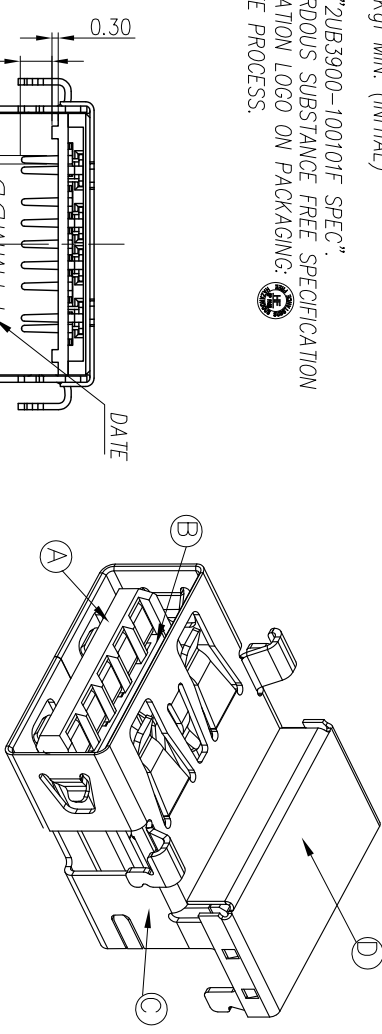


REV.	ECN NO OR DESCRIPTION	REVISED	DATE
A	PDR NO. T121008-2A	WINNIE	2013.02.07
B	ECN NO.:S130225/S130341	YUREN	20130527

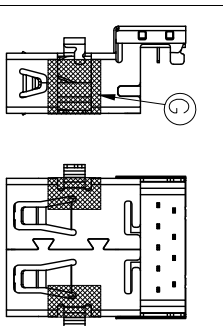
- SPECIFICATIONS:
- ELECTRICAL CHARACTERISTICS:
 - CURRENT RATING: 1.8A (PIN1,4) ; OTHER CONTACTS 0.25A
 - CONTACT RESISTANCE: 30mΩ MAX.
 - DIELECTRIC WITHSTANDING VOLTAGE: 100V AC FOR 1 MINUTE
 - INSULATION RESISTANCE: 100MΩ MIN
 - MECHANICAL CHARACTERISTICS:
 - INSERTION FORCE : 35N/3.5kgf MAX.
 - WITHDRAWAL FORCE : 10N/1.0kgf MIN. (INITIAL)
 - DURABILITY: 5,000 CYCLES.
 - OTHER GENERAL SPEC. TO REFER "2UB3900-100101F SPEC".
 - TO CONFORM TO SINGATRON HAZARDOUS SUBSTANCE FREE SPECIFICATION
 - HALOGEN FREE PRODUCT IDENTIFICATION LOGO ON PACKAGING: 
 - FOR REFLOW SOLDERING LEAD-FREE PROCESS.
 - DATE : YMMDD
 - PACKAGING : TAPE & REEL.



RECOMMENDED P.C. BOARD LAYOUT (TOP VIEW)
(TOL.±0.05) PCB THICKNESS=1.20mm



3D VIEW



MYLAR 不燃樹脂

Pin Number	Signal ASSIGNMENT
PIN 1	VBUS
PIN 2	D-
PIN 3	D+
PIN 4	GND
PIN 5	Stda_SSRX-
PIN 6	Stda_SSRX+
PIN 7	GND_DRAIN
PIN 8	Stda_SSTX-
PIN 9	Stda_SSTX+

NO	DESCRIPTION	QTY	MATERIAL	PLATING & COLOR
A	HOUSING	1	UL94V-0, HF	BLACK
B	BASE	1	HIGH THERMOPLASTIC	BLACK
C	SHELL	1	STAINLESS STEEL	BLACK NICKEL 60μ"MIN
D	SHELL COVER	1	STAINLESS STEEL	NICKEL 60μ"MIN
E	TERMINAL	4	PHOSPHOR BRONZE	W/TE TIN 100μ" MIN, 50μ" SOLDERING
F	TERMINAL	5	BRASS	W/TE TIN 100μ" MIN, 50μ" SOLDERING
G	Mylar	2	KAPTON 5.0x8.0	YELLOW

UNLESS OTHERWISE SPECIFIED TOLERANCES

DECIMALS:	ANGLES:
X : ±0.5	X : ±2°
XX : ±0.3	X.X : ±1°
XXX : ±0.2	

TITLE: USB 3.0 CONNECTOR
DWN: YUREN PART NO.2UB3900-100101F
CHKD: SOLDIER SCALE: 4:1 UNIT: mm
APVD: BOYE SIZE: A3 SHEET: 1 OF 1 REV: B

Singaton Enterprise Co., Ltd.
信音企業股份有限公司

CUSTOMER COPY