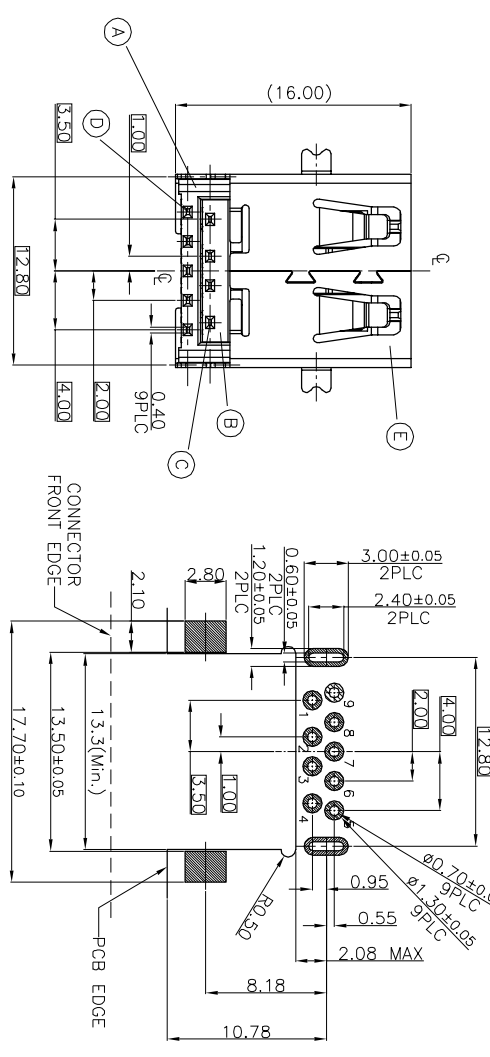
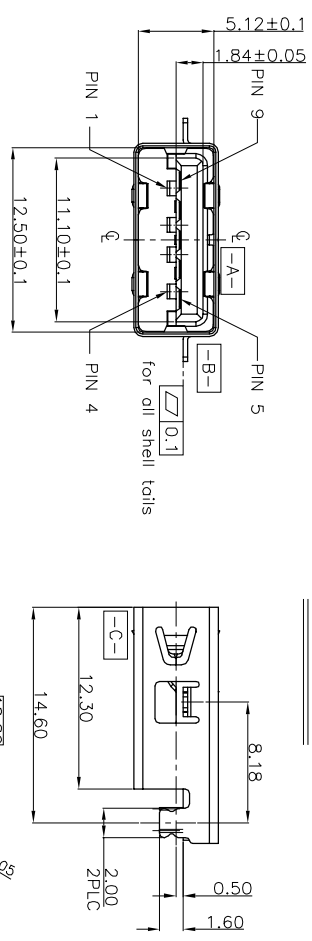
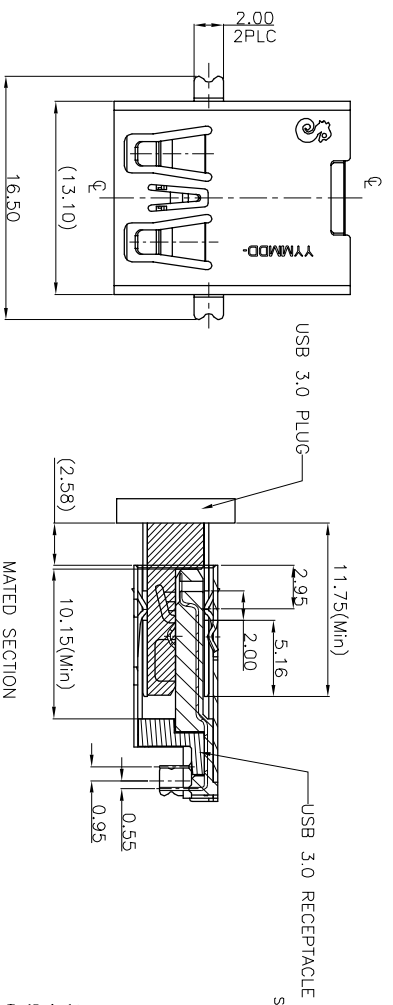
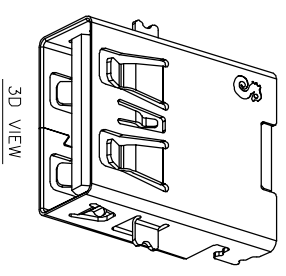


REV. ECN NO. OR DESCRIPTION	REVISED	DATE
A PDR NO: T140731-4A	Edi Zhou	2014.11.07



- SPECIFICATIONS:
- ELECTRICAL CHARACTERISTICS:
    - CURRENT RATING: 1.8A (PIN1,4) ; OTHER CONTACTS 0.25A
    - CONTACT RESISTANCE: 30m ΩMAX.
    - CONTACT WITHSTANDING VOLTAGE: 100V AC FOR 1 MINUTE
    - INSULATION RESISTANCE: 100MΩ MIN.
  - MECHANICAL CHARACTERISTICS:
    - INSERTION FORCE : 3.5 Kgf MAX.
    - WITHDRAWAL FORCE : 3.5Kgf MAX.
    - INITIAL : 1.0Kgf.
    - TEST AFTER : 0.80Kgf.
  - DURABILITY: 5,000 CYCLES.
  - TO CONFORM TO SINGATRON HAZARDOUS SUBSTANCE FREE SPEC.
  - HALOGEN FREE PRODUCT IDENTIFICATION MARK ON JACK: ☉
  - HALOGEN FREE PRODUCT IDENTIFICATION LABEL ON PACKAGING.
  - FOR WAVE SOLDERING LEAD-FREE PROCESS.
  - DATE : YMMDD-
  - PACKAGING : TAPE & REEL.



REMARK	Pin Number	Signal ASSIGNMENT
	PIN 1	VBUS
	PIN 2	D-
	PIN 3	D+
	PIN 4	GND
	PIN 5	SDA_SSRV-
	PIN 6	SDA_SSRV+
	PIN 7	GND_DRAIN
	PIN 8	SDA_SSTX-
	PIN 9	SDA_SSTX+

NO	DESCRIPTION	QTY	MATERIAL	PLATING & COLOR
E	SHELL	1	STAINLESS STEEL,T=0.30	NICKEL 60u"MIN
D	5 PIN TERMINAL	5	BRASS,T=0.20	
C	4 PIN TERMINAL	4	COPPER ALLOY, T=0.20	GOLD FLASH OVER 30um Pd/Ni PLATED ON WIRING AREA MIL: Sn 100um W/PLATED ON SOLDERING BOUN NICKEL UNDER PLATING OVER ALL.
B	BASE	1	HIGH TEMP.THERMOPLASTIC UL94-V0	BLACK
A	BODY	1	HIGH TEMP.THERMOPLASTIC UL94-V0	BLACK
NO	DESCRIPTION	QTY	MATERIAL	PLATING & COLOR

UNLESS OTHERWISE SPECIFIED TOLERANCES

DECIMALS:	ANGLES:
X :±0.5	X :±2°
X.X :±0.3	X.X :±1°
X.XX :±0.2	

TITLE	USB 3.0 SINKING CONNECTOR
DWN	Edi Zhou
CHKD	Boye
APVD	Boye
PART NO:	2UB3901-011101F
SCALE:	4:1
UNIT:	mm
SHEET:	1 OF 1
REV:	A

CUSTOMER COPY