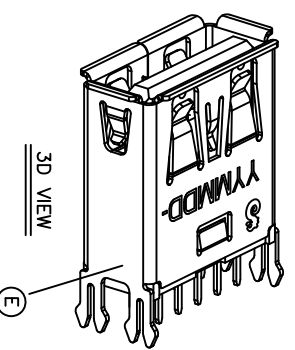
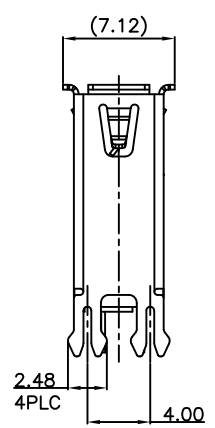
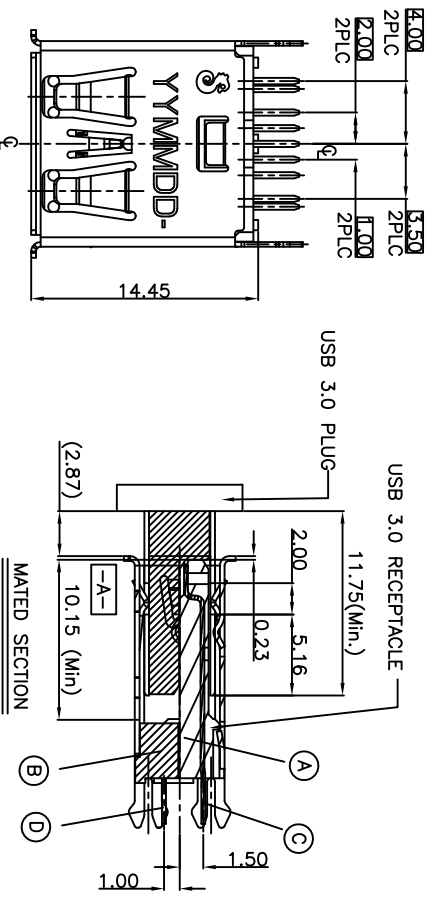
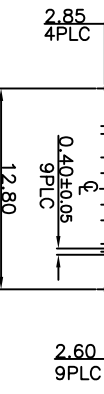
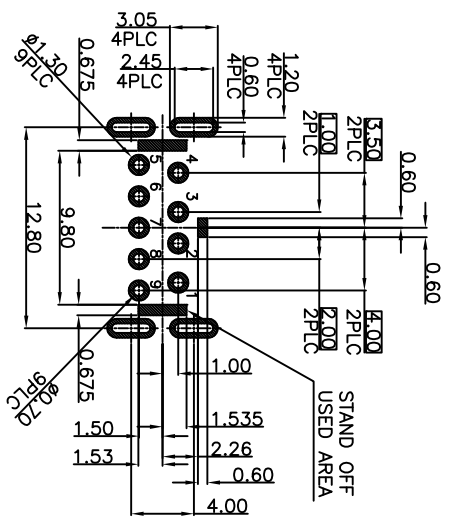
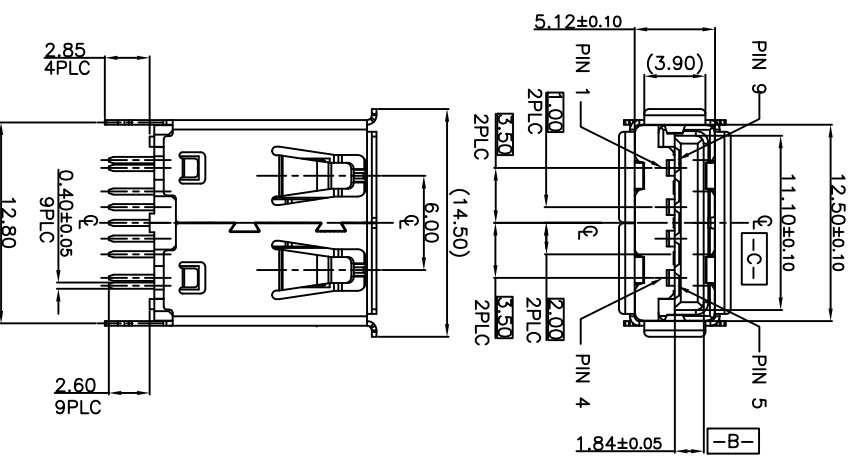


REV./ECN NO OR DESCRIPTION	REVISED	DATE
A PDR NO: T110928-8B	BOYE-QI	2012.04.02

- SPECIFICATIONS:**
- ELECTRICAL CHARACTERISTICS:**
 - 1-1. CURRENT RATING: 1.8A (PIN1,4) ; OTHER CONTACTS 0.25A
 - 1-2. CONTACT RESISTANCE: 30mΩ MAX.
 - 1-3. DIELECTRIC WITHSTANDING VOLTAGE: 100V AC FOR 1 MINUTE
 - 1-4. INSULATION RESISTANCE: 100MΩ MIN .
 - MECHANICAL CHARACTERISTICS:**
 - 2-1. INSERTION FORCE : 3.5 Kgf MAX.
 - 2-2. WITHDRAWAL FORCE : 3.5Kgf MAX.
- INITIAL : 1.0Kgf.
TEST AFTER : 0.80Kgf.
3. DURABILITY: 5,000 CYCLES.
 4. TO CONFORM TO SINGATRON HAZARDOUS SUBSTANCE FREE SPEC.
 5. HALOGEN PRODUCT IDENTIFICATION MARK ON JACK:
 6. HALOGEN PRODUCT IDENTIFICATION LABEL ON PACKAGING:
 7. FOR WAVE SOLDERING LEAD-FREE PROCESS.
 8. DATE : YMMDD-
 9. PACKAGING : TRAY



Pin Number	Signal ASSIGNMENT
PIN 1	VBUS
PIN 2	D-
PIN 3	D+
PIN 4	GND
PIN 5	SIGL_SSRX-
PIN 6	SIGL_SSRX+
PIN 7	GND_DRAIN
PIN 8	SIGL_SSTX-
PIN 9	SIGL_SSTX+



NO	DESCRIPTION	QTY	MATERIAL	PLATING & COLOR
E	SHELL	1	STAINLESS STEEL,T=0.30	NICKEL 60U"MIN
D	4 PIN TERMINAL	5	BARSS,T=0.25	
C	4 PIN TERMINAL	4	COPPER ALLOY, T=0.25	
B	BASE	1	HIGH TEMP.THERMOPLASTIC	BLACK
A	BODY	1	HIGH TEMP.THERMOPLASTIC	BLACK

UNLESS OTHERWISE SPECIFIED TOLERANCES

DECIMALS: ANGLES:

X : ±0.5 X : ±2°
X.X : ±0.3 X.X : ±1°
X.XX : ±0.2

TOLERANCE=±0.05

Recommended P.C.B Layout (THK: 1.6mm)

DWN	01020202	PART NO:2UB3903-002101F
CHKD	01020202	SCALE:4:1
APVD	01020202	UNIT: mm
		SIZE: A3
		SHEET: 1 OF 1
		REV: A

Singatron Enterprise Co., Ltd.
信音企業股份有限公司

USB 3.0 CONNECTOR

CUSTOMER COPY