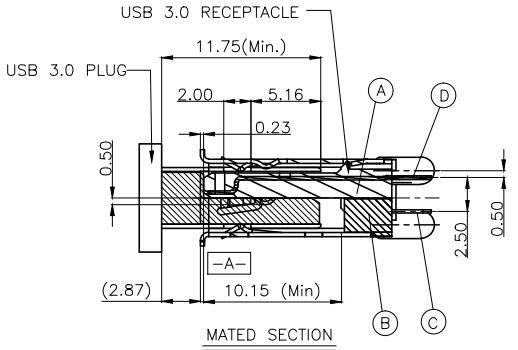
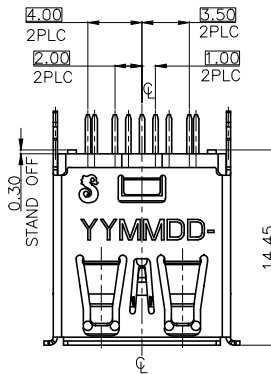
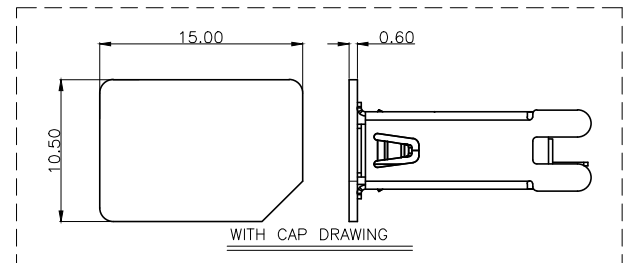
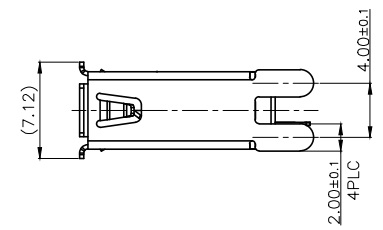
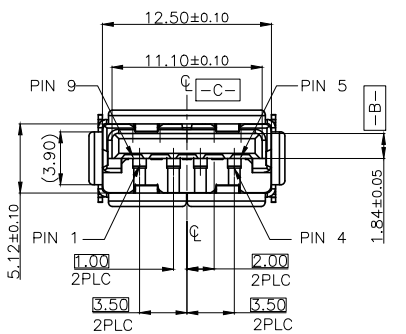


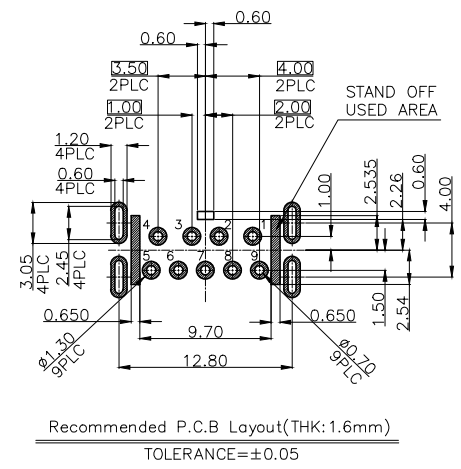
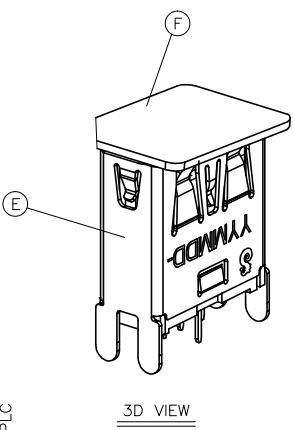
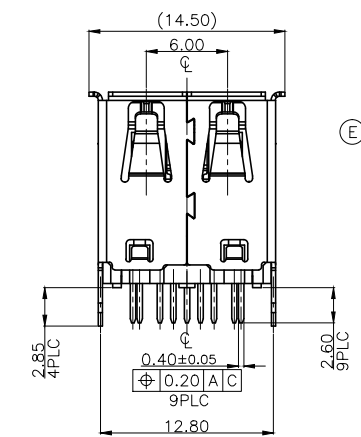
REV.	ECN NO OR DESCRIPTION	REVISED	DATE
D	ECN NO: S140470/S140640	SEAN	2014.10.09
E	ECN NO: S160602-E	peng	2016.08.04
F	ECN NO:S161106-C	peng	2016.12.19



- SPECIFICATIONS:**
- ELECTRICAL CHARACTERISTICS:**
 - 1-1. CURRENT RATING: 1.8A (PIN1,4) ; OTHER CONTACTS 0.25A
 - 1-2. CONTACT RESISTANCE: 30m Ω MAX.
 - 1-3. DIELECTRIC WITHSTANDING VOLTAGE: 100V AC FOR 1 MINUTE
 - 1-4. INSULATION RESISTANCE: 100MΩ MIN .
 - MECHANICAL CHARACTERISTICS:**
 - 2-1. INSERTION FORCE : 2.5 Kgf MAX.
 - 2-2. WITHDRAWAL FORCE :
 - INITIAL : 1.0Kgf~2.5Kgf.
 - TEST AFTER : 0.80Kgf~2.5Kgf.
 - DURABILITY:** 5,000 CYCLES.
 - TO CONFORM TO SINGATRON HAZARDOUS SUBSTANCE FREE SPEC.
 - HALOGEN FREE PRODUCT IDENTIFICATION MARK ON JACK:
 - HALOGEN FREE PRODUCT IDENTIFICATION LABEL ON PACKAGING:
 - FOR WAVE SOLDERING LEAD-FREE PROCESS.
 - DATE : YYMMDD-
 - PACKAGING : TAPE&REEL



REMARK	Pin Number	Signal ASSIGNMENT
USB2.0 CONTACT PIN	PIN 1	VBUS
	PIN 2	D-
	PIN 3	D+
	PIN 4	GND
USB3.0 CONTACT PIN	PIN 5	StdA_SSRX-
	PIN 6	StdA_SSRX+
	PIN 7	GND_DRAIN
	PIN 8	StdA_SSTX-
	PIN 9	StdA_SSTX+



F	CAP	1	HIGH TEMP.THERMOPLASTIC UL94-HB	BLACK
E	SHELL	1	STAINLESS STEEL,T=0.30	NICKEL 60u"MIN
D	5 PIN TERMINAL	5	BARSS,T=0.25	Au 2uin OVER 30uin Pd PLATED ON CONTACT AREA; Matt. Sn 120uin PLATED ON SOLDERING ALL OVER 80uin NICKET PLATING.
C	4 PIN TERMINAL	4	COPPER ALLOY, T=0.25	
B	BASE	1	PA9T UL94-V0	BLUE
A	BODY	1	PA9T UL94-V0	BLUE

NO	DESCRIPTION	QTY	MATERIAL	PLATING & COLOR
UNLESS OTHERWISE SPECIFIED TOLERANCES		Singatron Enterprise Co., Ltd. 信音企業股份有限公司		
DECIMALS: ANGLES:		TITLE: USB 3.0 CONNECTOR		
X	:±0.5 X :±2'	DWN	PENG	PART NO:2UB3903-008101F
X.X	:±0.3 X.X :±1'	CHKD	JMAES	SCALE:4:1 UNIT: mm
X.XX	:±0.2	APVD	BOYE	SIZE: A3 SHEET:1 OF 1 REV: F
CUSTOMER COPY				