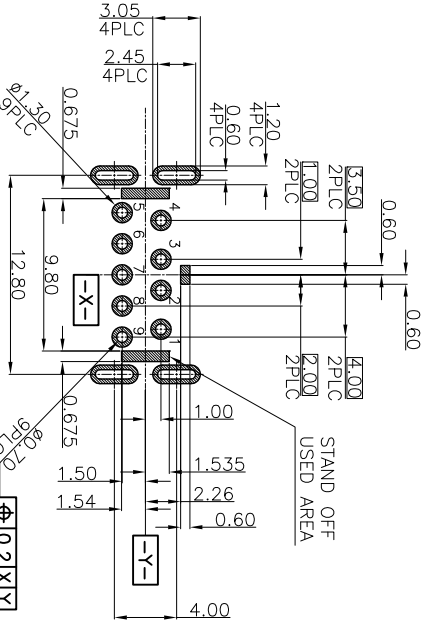
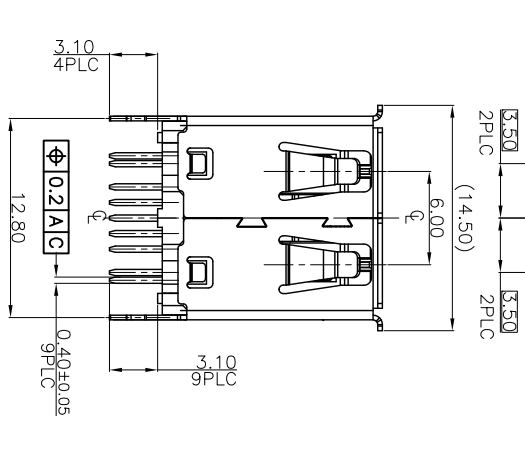
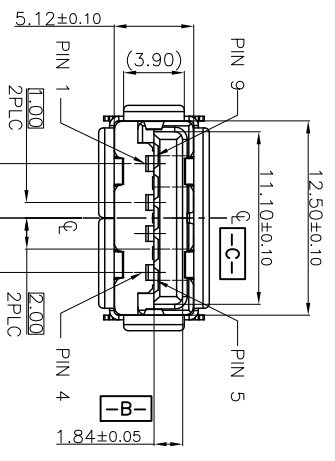
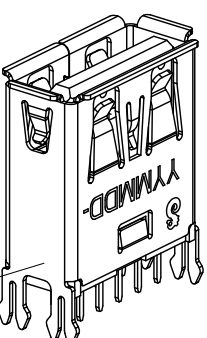
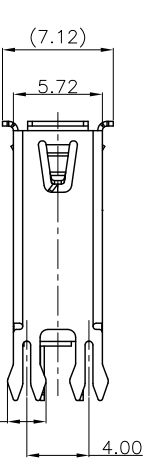
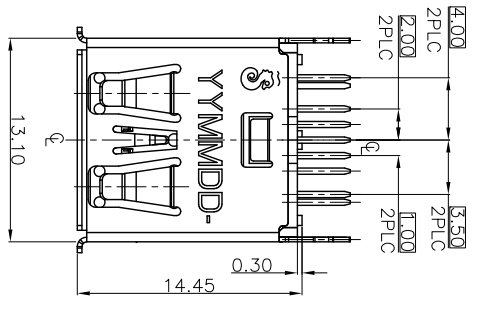
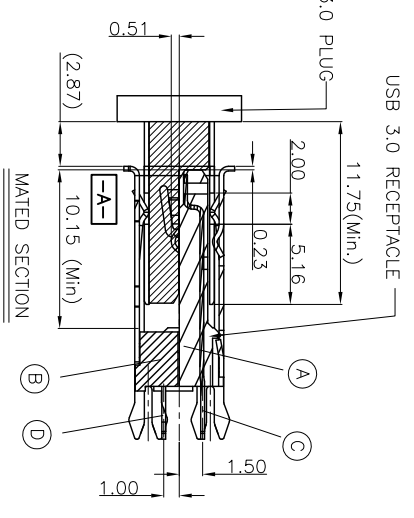


REV.	ECN NO.	OR DESCRIPTION	REVISED	DATE
A	PDR NO: T130320-2A		EDJ.ZHOU	2013.5.30
B	ECN NO:S141208		SEAN	2014.12.27

- SPECIFICATIONS:
- ELECTRICAL CHARACTERISTICS:
 - CURRENT RATING: 1.8A (PIN1,4) ; OTHER CONTACTS 0.25A
 - CONTACT RESISTANCE: 30mΩ MAX.
 - DIELECTRIC WITHSTANDING VOLTAGE: 100V AC FOR 1 MINUTE
 - INSULATION RESISTANCE: 100MΩ MIN .
 - MECHANICAL CHARACTERISTICS:
 - INSERTION FORCE : 3.5 Kgf MAX.
 - WITHDRAWAL FORCE : 3.5Kgf MAX.
- INITIAL : 1.0Kgf.
- TEST AFTER : 0.80Kgf.
3. DURABILITY: 5,000 CYCLES.
4. TO CONFORM TO SINGATRON HAZARDOUS SUBSTANCE FREE SPEC.
- 5.HALOGEN FREE PRODUCT IDENTIFICATION MARK ON JACK:
- 6.HALOGEN FREE PRODUCT IDENTIFICATION LABEL ON PACKAGING:
7. FOR WAVE SOLDERING LEAD-FREE PROCESS.
8. DATE : YYMMDD-
9. PACKAGING : TRAY

REMARK	Pin Number	Signal ASSIGNMENT
	PIN 1	VBUS
	PIN 2	D-
	PIN 3	D+
	PIN 4	GND
	PIN 5	Signal_SSRX-
	PIN 6	Signal_SSRX+
	PIN 7	GND_DRAIN
	PIN 8	Signal_SSTX-
	PIN 9	Signal_SSTX+



NO	DESCRIPTION	QTY	MATERIAL	PLATING & COLOR
E	SHELL	1	STAINLESS STEEL,T=0.30	NICKEL 60u"MIN
D	5 PIN TERMINAL	5	BARSS,T=0.25	
C	4 PIN TERMINAL	4	COPPER ALLOY, T=0.25	No 2um OVER 30um Pd PLATED ON CONTACT AREA. WAVE Sn 120um PLATED ON SOLDERING ALL OVER 80um NICKEL PLATING.
B	BASE	1	HIGH TEMP.THERMOPLASTIC	BLUE(300C)
A	BODY	1	HIGH TEMP.THERMOPLASTIC	BLUE(300C)

NO	DESCRIPTION	QTY	MATERIAL	PLATING & COLOR
E	SHELL	1	STAINLESS STEEL,T=0.30	NICKEL 60u"MIN
D	5 PIN TERMINAL	5	BARSS,T=0.25	
C	4 PIN TERMINAL	4	COPPER ALLOY, T=0.25	
B	BASE	1	HIGH TEMP.THERMOPLASTIC	BLUE(300C)
A	BODY	1	HIGH TEMP.THERMOPLASTIC	BLUE(300C)

UNLESS OTHERWISE SPECIFIED TOLERANCES

DECIMALS: ANGLES:

X :±0.5 X :±2°

X.X :±0.3 X.X :±1°

X.XX :±0.2

TITLE: USB 3.0 CONNECTOR

DWN: SEAN PART NO:2UB3903-013101F

CHKD: CERRY SCALE:4:1 UNIT: mm

APVD: LAO SIZE: A3 SHEET: 1 OF 1 REV: B

CUSTOMER COPY

Singatron Enterprise Co., Ltd.
信安企業股份有限公司