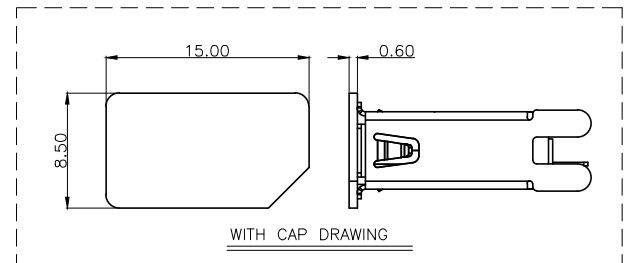
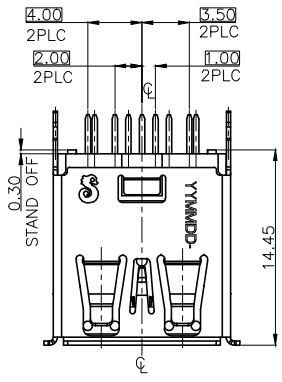
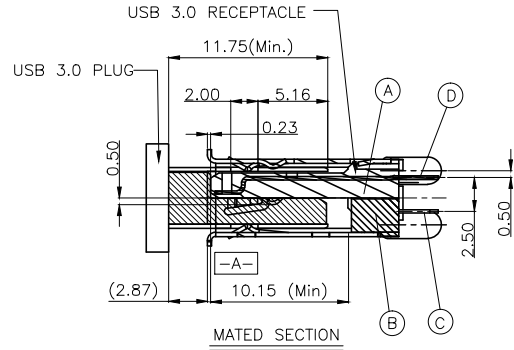
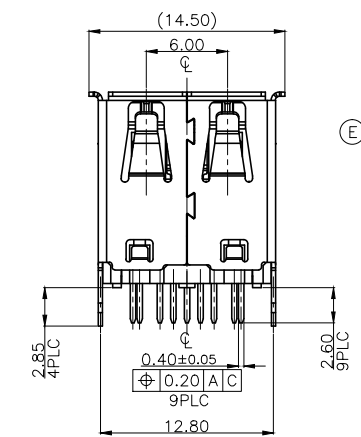
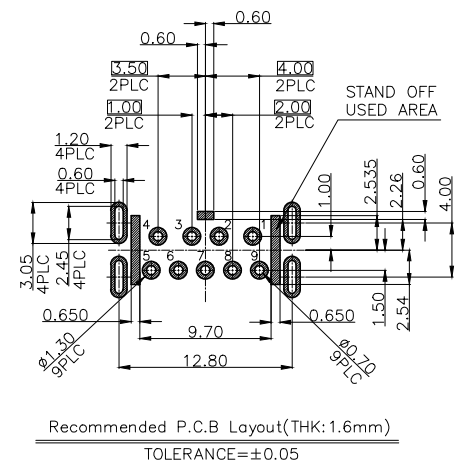
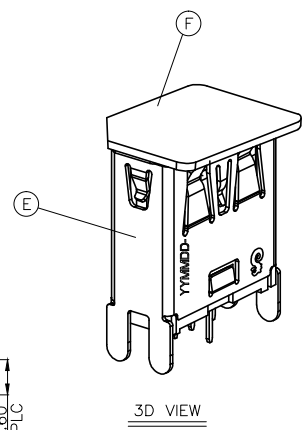
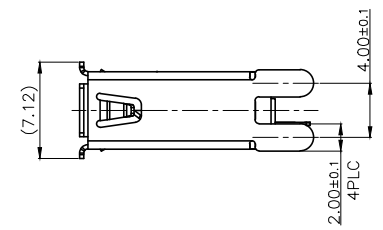
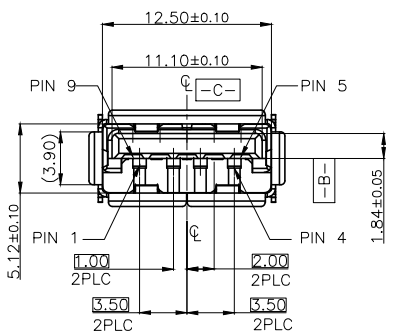


REV.	ECN NO OR DESCRIPTION	REVISED	DATE
A	PDR NO: T140409-3A	EDI.ZHOU	2014.09.25
B	ECN NO: S160602-E	peng	2016.08.04
C	ECN NO:S161106-C	peng	2016.12.20

- SPECIFICATIONS:
- ELECTRICAL CHARACTERISTICS:
    - CURRENT RATING: 1.8A (PIN1,4) ; OTHER CONTACTS 0.25A
    - CONTACT RESISTANCE: 30m Ω MAX.
    - DIELECTRIC WITHSTANDING VOLTAGE: 100V AC FOR 1 MINUTE
    - INSULATION RESISTANCE: 100MΩ MIN .
  - MECHANICAL CHARACTERISTICS:
    - INSERTION FORCE : 2.5 Kgf MAX.
    - WITHDRAWAL FORCE :
      - INITIAL : 1.0Kgf~2.5Kgf.
      - TEST AFTER : 0.80Kgf~2.5Kgf.
  - DURABILITY: 5,000 CYCLES.
  - TO CONFORM TO SINGATRON HAZARDOUS SUBSTANCE FREE SPEC.
  - HALOGEN FREE PRODUCT IDENTIFICATION MARK ON JACK:
  - HALOGEN FREE PRODUCT IDENTIFICATION LABEL ON PACKAGING:
  - FOR WAVE SOLDERING LEAD-FREE PROCESS.
  - DATE : YYMMDD-
  - PACKAGING : TAPE&REEL



REMARK	Pin Number	Signal ASSIGNMENT
USB2.0 CONTACT PIN	PIN 1	VBUS
	PIN 2	D-
	PIN 3	D+
	PIN 4	GND
USB3.0 CONTACT PIN	PIN 5	StdA_SSRX-
	PIN 6	StdA_SSRX+
	PIN 7	GND_DRAIN
	PIN 8	StdA_SSTX-
	PIN 9	StdA_SSTX+



F	CAP	1	HIGH TEMP.THERMOPLASTIC UL94-HB	BLACK
E	SHELL	1	STAINLESS STEEL,T=0.30	NICKEL 60u"MIN
D	5 PIN TERMINAL	5	BARSS,T=0.25	Au 2uin OVER 30uin Pd PLATED ON CONTACT AREA; Matt. Sn 120uin PLATED ON SOLDERING ALL OVER 80uin NICKET PLATING.
C	4 PIN TERMINAL	4	COPPER ALLOY, T=0.25	
B	BASE	1	PA9T UL94-V0	BLUE
A	BODY	1	PA9T UL94-V0	BLUE
NO	DESCRIPTION	QTY	MATERIAL	PLATING & COLOR

UNLESS OTHERWISE SPECIFIED TOLERANCES		Singatron Enterprise Co., Ltd. 信音企業股份有限公司	
DECIMALS:	ANGLES:	TITLE	
X :±0.5	X :±2°	USB 3.0 CONNECTOR	
X.X :±0.3	X.X :±1°	DWN	peng
X.XX :±0.2		CHKD	james
		APVD	boye
		PART NO:2UB3903-020101F	
		SCALE:4:1	UNIT: mm
		SIZE: A3	SHEET:1 OF 1
		REV: C	
CUSTOMER COPY			