
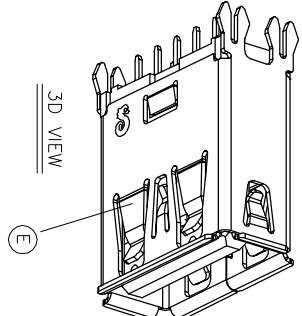


- SPECIFICATIONS:**
- ELECTRICAL CHARACTERISTICS:
 - CURRENT RATING: 1.8A (PIN1,4) ; OTHER CONTACTS 0.25A
 - CURRENT RESISTANCE: 30mΩ MAX.
 - DIELECTRIC WITHSTANDING VOLTAGE: 100V AC FOR 1 MINUTE
 - INSULATION RESISTANCE: 100MΩ MIN .
 - MECHANICAL CHARACTERISTICS:
 - INSERTION FORCE : 3.5 Kgf MAX.
 - WITHDRAWAL FORCE : 3.5kgf MAX.
- INITIAL : 1.0Kgf.
 TEST AFTER : 0.80Kgf.
 DURABILITY: 5,000 CYCLES.
 TO CONFORM TO SINGATRON HAZARDOUS SUBSTANCE FREE SPEC.
 HALOGEN PRODUCT IDENTIFICATION MARK ON JACK: ☉
 HALOGEN PRODUCT IDENTIFICATION LABEL ON PACKAGING: 
 FOR WAVE SOLDERING LEAD-FREE PROCESS.
 DATE : YYMMDD-
 PACKAGING : TRAY



| Pin Number | Signal ASSIGNMENT |
|------------|-------------------|
| PIN 1 | VBUS |
| PIN 2 | D- |
| PIN 3 | D+ |
| PIN 4 | GND |
| PIN 5 | SiDA_SSRX- |
| PIN 6 | SiDA_SSRX+ |
| PIN 7 | GND_DRAIN |
| PIN 8 | SiDA_SSTX- |
| PIN 9 | SiDA_SSTX+ |

| | | | | |
|---|----------------|---|------------------------|---|
| E | SHELL | 1 | STAINLESS STEEL,T=0.30 | NICKEL 60u"MIN |
| D | 4 PIN TERMINAL | 5 | BARSS,T=0.25 | no 2um OVER 50um Pd PLATED ON CONTACT AREA. Mater. Sn 120um NICKEL PLATING. ALL OVER 80um NICKEL PLATING. |
| C | 4 PIN TERMINAL | 4 | PHOSPHOR BRONZE,T=0.25 | |
| B | BASE | 1 | PA 9T UL94V-0 | BLACK |
| A | BODY | 1 | PA 9T UL94V-0 | BLACK |

UNLESS OTHERWISE SPECIFIED TOLERANCES

DECIMALS: ANGLES:

DWN [Ed:Zhou] PART NO:2UB3903-022101F
 CHKD [Bye] SCALE:4:1 UNIT: mm
 APVD [Bye] SIZE: A3 SHEET:1 OF 1 REV: A

Singatron Enterprise Co., Ltd.
 信亨企業股份有限公司

USB 3.0 CONNECTOR

CUSTOMER COPY