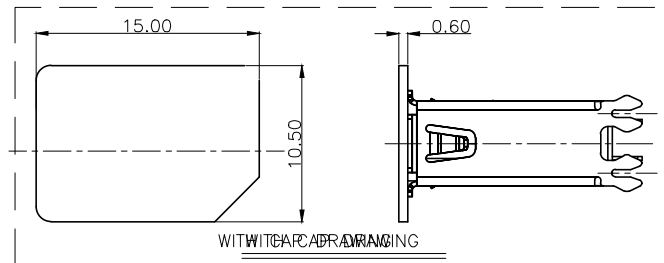
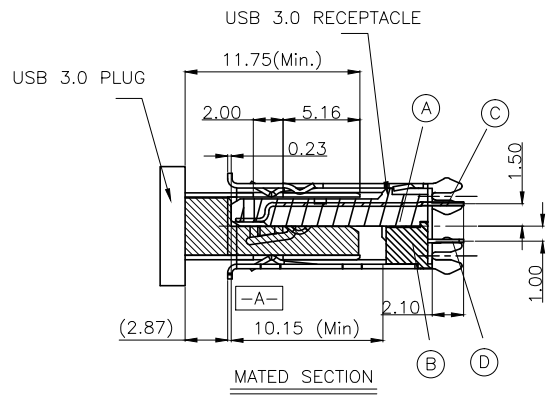
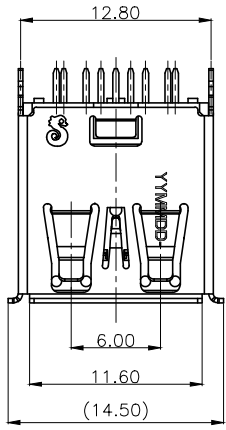
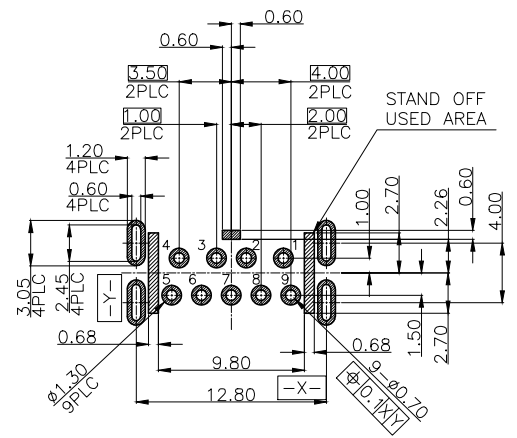
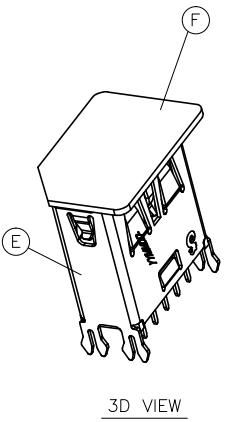
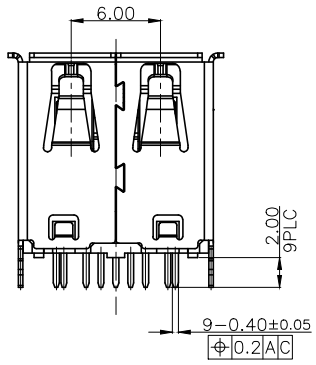
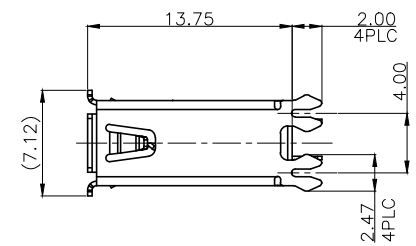
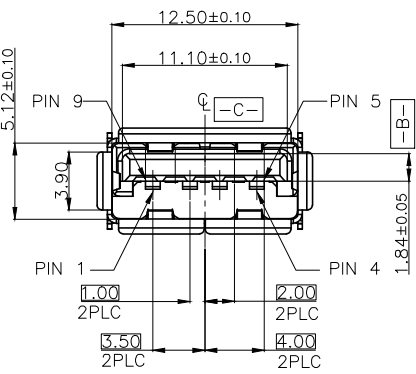


REV.	ECN NO OR DESCRIPTION	REVISED	DATE
A	PDR NO: T140721-4A	FLY	2014.10.11

- SPECIFICATIONS:
- ELECTRICAL CHARACTERISTICS:
 - CURRENT RATING: 1.8A (PIN1,4) ; OTHER CONTACTS 0.25A
 - CONTACT RESISTANCE: 30mΩ MAX.
 - DIELECTRIC WITHSTANDING VOLTAGE: 100V AC FOR 1 MINUTE
 - INSULATION RESISTANCE: 100MΩ MIN .
 - MECHANICAL CHARACTERISTICS:
 - INSERTION FORCE : 3.5 Kgf MAX.
 - WITHDRAWAL FORCE : 3.5 Kgf MAX.
INITIAL : 1.0Kgf.
 - DURABILITY: 5,000 CYCLES.
 - TO CONFORM TO SINGATRON HAZARDOUS SUBSTANCE FREE SPEC.
 - HALOGEN FREE PRODUCT IDENTIFICATION MARK ON JACK:
 - HALOGEN FREE PRODUCT IDENTIFICATION LABEL ON PACKAGING:
 - FOR WAVE SOLDERING LEAD-FREE PROCESS.
 - DATE : YYMMDD-
 - PACKAGING : TAPE & REEL.



REMARK	Pin Number	Signal ASSIGNMENT
USB2.0 CONTACT PIN	PIN 1	VBUS
	PIN 2	D-
	PIN 3	D+
	PIN 4	GND
USB3.0 CONTACT PIN	PIN 5	StdA_SSRX-
	PIN 6	StdA_SSRX+
	PIN 7	GND_DRAIN
	PIN 8	StdA_SSTX-
	PIN 9	StdA_SSTX+



NO	DESCRIPTION	QTY	MATERIAL	PLATING & COLOR
F	CAP	1	HIGH TEMP.THERMOPLASTIC	BLACK
E	SHELL	1	STAINLESS STEEL,T=0.30	NICKEL 60u"MIN
D	5 PIN TERMINAL	5	BARSS,T=0.25	Au 2uIN OVER 30uIN Pd/Ni PLATING ON CONTACT AREA; MATT. Sn 120uIN SOLDER TAIL AREA; ALL OVER 80uIN NICKEL PLATING.
C	4 PIN TERMINAL	4	COPPER ALLOY, T=0.25	
B	BASE	1	HIGH TEMP.THERMOPLASTIC	BLUE(300C)
A	BODY	1	HIGH TEMP.THERMOPLASTIC	BLUE(300C)

UNLESS OTHERWISE SPECIFIED TOLERANCES		Singatron Enterprise Co., Ltd. 信音企業股份有限公司	
DECIMALS:	ANGLES:	TITLE	
X :±0.5	X :±2°	USB 3.0 CONNECTOR	
X.X :±0.3	X.X :±1°	DWN	FLY2014.10.13
X.XX :±0.2		CHKD	SCALE:4:1 UNIT: mm
		APVD	80YE2014.10.13 SIZE: A3 SHEET:1 OF 1 REV: A
CUSTOMER COPY			