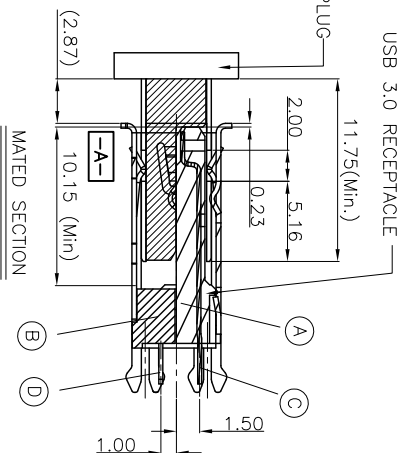
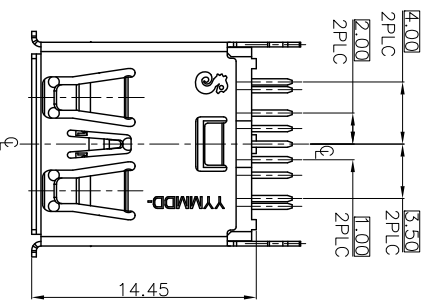
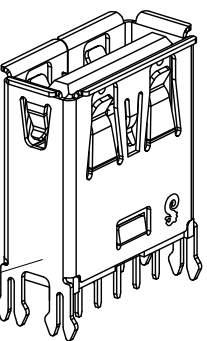
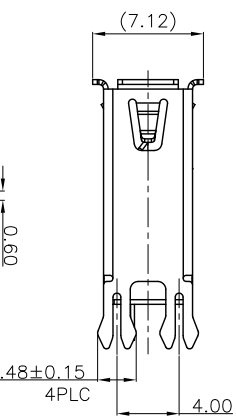
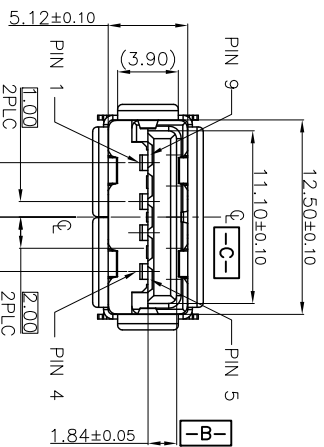


REV	ECN NO	OR DESCRIPTION	REVISED	DATE
A	PDR NO: T140813-1A		Edi.Zhou	2014.10.21

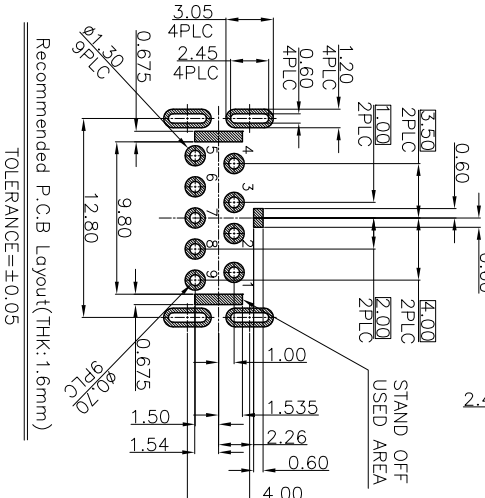
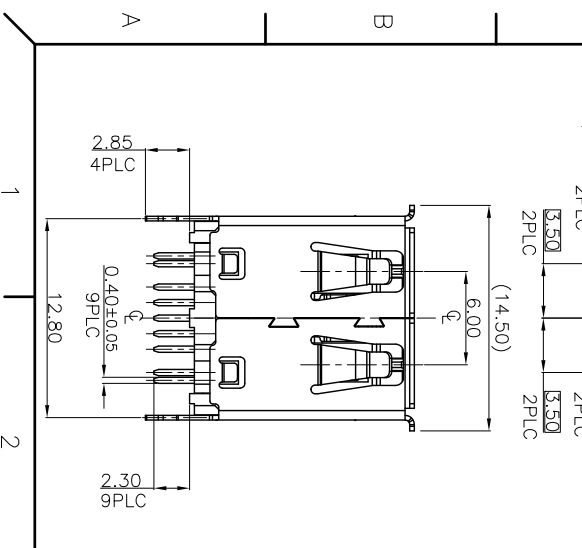
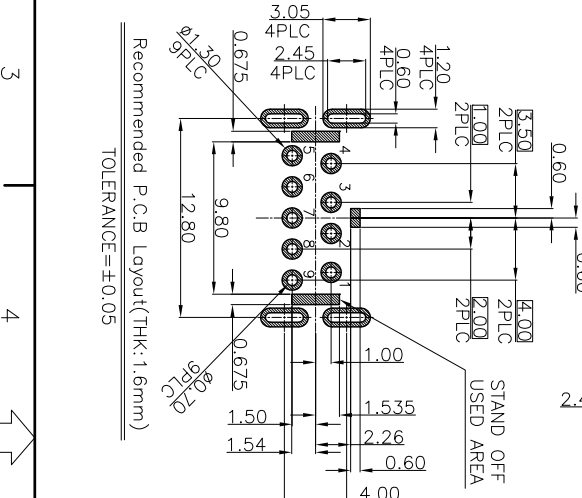


- USB 3.0 RECEPTACLE
1. ELECTRICAL CHARACTERISTICS:
 1-1. CURRENT RATING: 1.8A (PIN1,4) ; OTHER CONTACTS 0.25A
 1-2. CONTACT RESISTANCE: 30mΩ MAX.
 1-3. DIELECTRIC WITHSTANDING VOLTAGE: 100V AC FOR 1 MINUTE
 1-4. INSULATION RESISTANCE: 100MΩ MIN .
 2. MECHANICAL CHARACTERISTICS:
 2-1. INSERTION FORCE : 3.5 Kgf MAX.
 2-2. WITHDRAWAL FORCE : 3.5Kgf MAX.
 INITIAL : 1.0Kgf.
 TEST AFTER : 0.80Kgf.
 3. DURABILITY: 5,000 CYCLES.
 4. TO CONFORM TO SINGATRON HAZARDOUS SUBSTANCE FREE SPEC.
 5. HALOGEN FREE PRODUCT IDENTIFICATION MARK ON JACK: ☉
 6. HALOGEN FREE PRODUCT IDENTIFICATION LABEL ON PACKAGING:
 7. FOR WAVE SOLDERING LEAD-FREE PROCESS.
 8. DATE : YYMMDD-
 9. PACKAGING : TRAY



3D VIEW

REMARK	Pin Number	Signal ASSIGNMENT
USB2.0 CONTACT PIN	PIN 1	VBUS
	PIN 2	D-
	PIN 3	D+
	PIN 4	GND
	PIN 5	SIG4_SSRX-
	PIN 6	SIG4_SSRX+
	PIN 7	GND_DRAIN
	PIN 8	SIG4_SSTX-
	PIN 9	SIG4_SSTX+



Recommended P.C.B Layout (THK: 1.6mm)
 TOLERANCE = ±0.05

NO	DESCRIPTION	QTY	MATERIAL	PLATING & COLOR
E	SHELL	1	STAINLESS STEEL,T=0.30	NICKEL 60u"MIN
D	5 PIN TERMINAL	5	BARSS,T=0.25	
C	4 PIN TERMINAL	4	PHOSPHOR BRONZE,T=0.25	Au 30um PLATED ON CONTACT AREA, Mat: Sn 100um PLATED ON SOLDERING ALL OVER 60um NICKEL PLATING.
B	BASE	1	UL94-V0	BLUE(300C)
A	BODY	1	UL94-V0	BLUE(300C)

S Singatron Enterprise Co., Ltd.
 信譽企業股份有限公司

UNLESS OTHERWISE SPECIFIED TOLERANCES

TITLE	DECIMALS:	ANGLES:
USB 3.0 CONNECTOR	:±0.5	X :±2°
DWM	:±0.3	X.X :±1°
CHKD	:±0.2	X.XX :±0.2
APVD		

PART NO: 2UB3903-026101F
 Edt: Zhou
 SCALE: 4:1
 UNIT: mm
 SHEET: 1 OF 1
 REV: A

CUSTOMER COPY