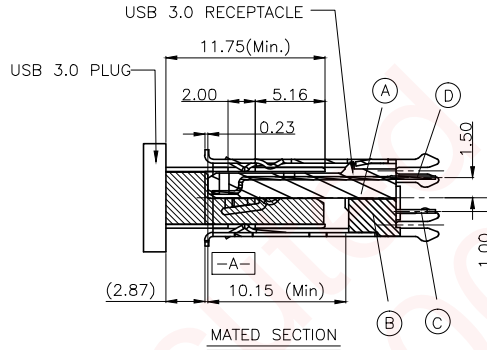
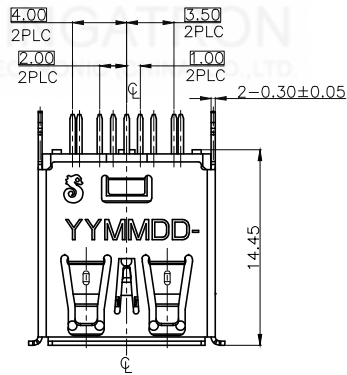
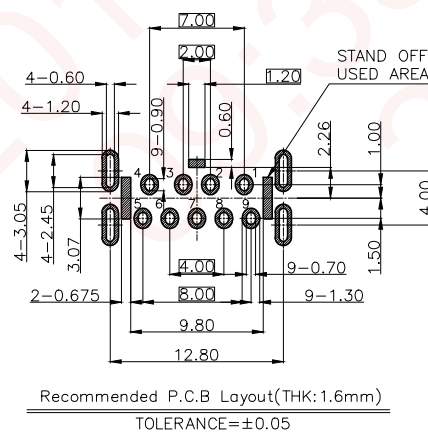
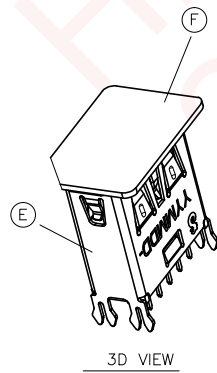
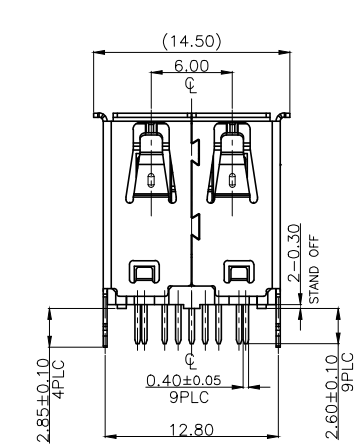
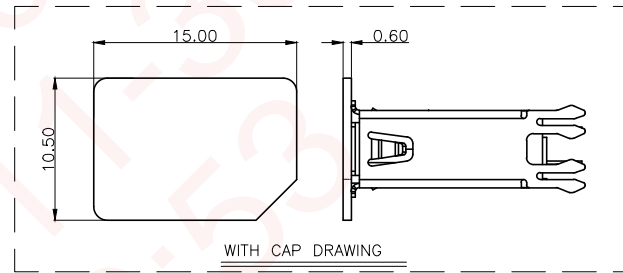
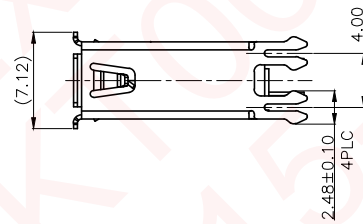
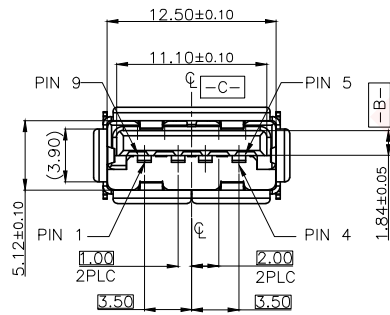


REV.	ECN NO OR DESCRIPTION	REVISED	DATE
A	PDR NO: T150623-1A	JTTLUCKY	2015.11.27



- SPECIFICATIONS:
- ELECTRICAL CHARACTERISTICS:
    - CURRENT RATING: 1.8A (PIN1,4) ; OTHER CONTACTS 0.25A
    - CONTACT RESISTANCE: 30mΩ MAX.
    - DIELECTRIC WITHSTANDING VOLTAGE: 100V AC FOR 1 MINUTE
    - INSULATION RESISTANCE: 100MΩ MIN .
  - MECHANICAL CHARACTERISTICS:
    - INSERTION FORCE : 25N MAX.
    - WITHDRAWAL FORCE :
      - INITIAL : 10N~25N.
      - TEST AFTER : 8N~25N.
  - DURABILITY: 5,000 CYCLES.
  - TO CONFORM TO SINGATRON HAZARDOUS SUBSTANCE FREE SPEC.
  - HALOGEN FREE PRODUCT IDENTIFICATION MARK ON JACK:
  - HALOGEN FREE PRODUCT IDENTIFICATION LABEL ON PACKAGING:
  - IR Reflow.
  - DATE : YYMMDD-
  - PACKAGING : TAPE&REEL



REMARK	Pin Number	SIGNAL ASSIGNMENT
USB2.0 CONTACT PIN	PIN 1	VBUS
	PIN 2	D-
	PIN 3	D+
	PIN 4	GND
USB3.0 CONTACT PIN	PIN 5	StdA_SSRX-
	PIN 6	StdA_SSRX+
	PIN 7	GND_DRAIN
	PIN 8	StdA_SSTX-
	PIN 9	StdA_SSTX+

NO	DESCRIPTION	QTY	MATERIAL	PLATING & COLOR
F	CAP	1	PA9T+30%GF UL94-HB	BLACK
E	SHELL	1	SUS301-1/2H 0.3T	NICKEL 60u"MIN
D	5 PIN TERMINAL	5	C2680-H,T=0.25	GOLD FLASH CONTACT AREA; Matt. Sn 120uin PLATED ON SOLDERING ALL OVER 80uin NICKET PLATING.
C	4 PIN TERMINAL	4	C5210-H, T=0.25	
B	BASE	1	PA9T+45%GF 94V-0	BLUE-GREEN 7466C
A	BODY	1	PA9T+45%GF 94V-0	BLUE-GREEN 7466C

UNLESS OTHERWISE SPECIFIED TOLERANCES		Singatron Enterprise Co., Ltd. 信音企業股份有限公司			
DECIMALS:	ANGLES:	TITLE			
X :±0.5	X :±2°	USB 3.0 CONNECTOR			
X.X :±0.3	X.X :±1°	DWN	Jttlucky	PART NO:2UB3903-035101F	
X.XX :±0.2		CHKD	JAMES	SCALE:4:1	UNIT: mm
		APVD	BOYE	SIZE: A3	SHEET:1 OF 1
REV: A					
CUSTOMER COPY					