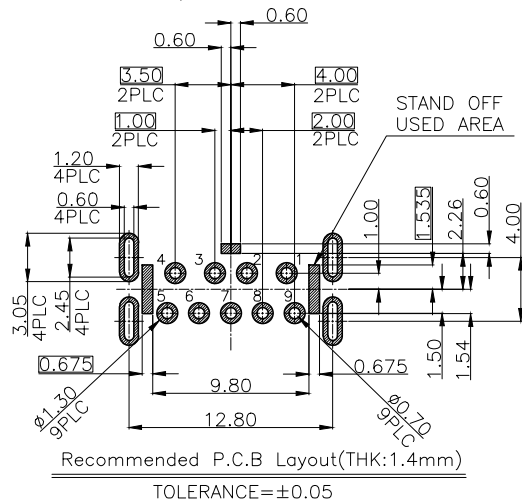
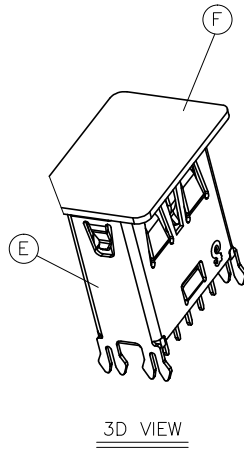
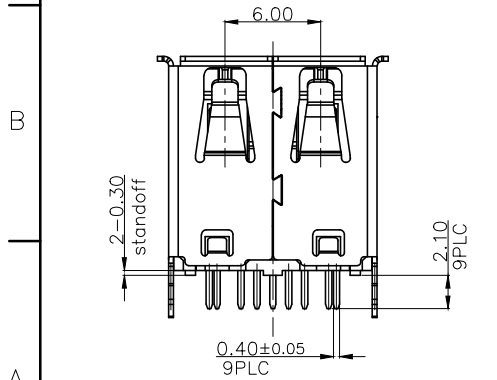
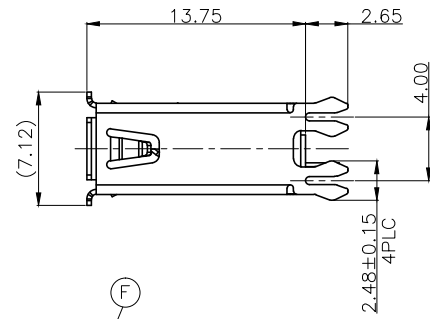
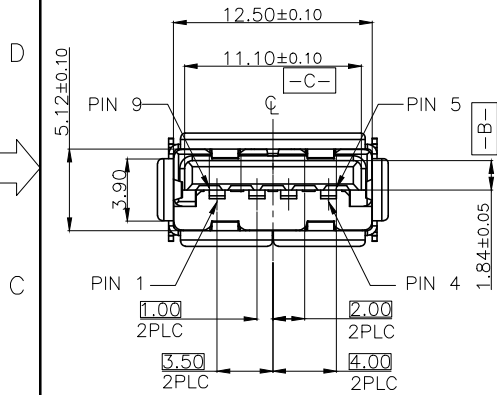
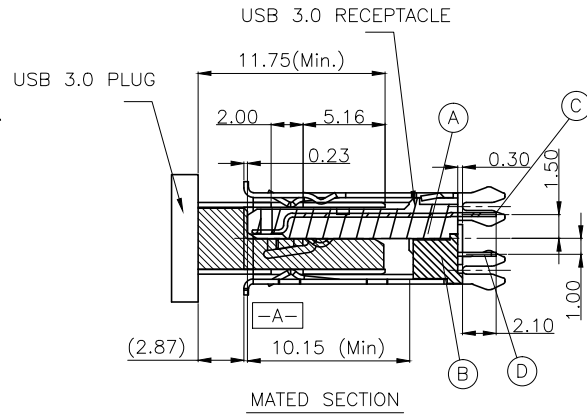
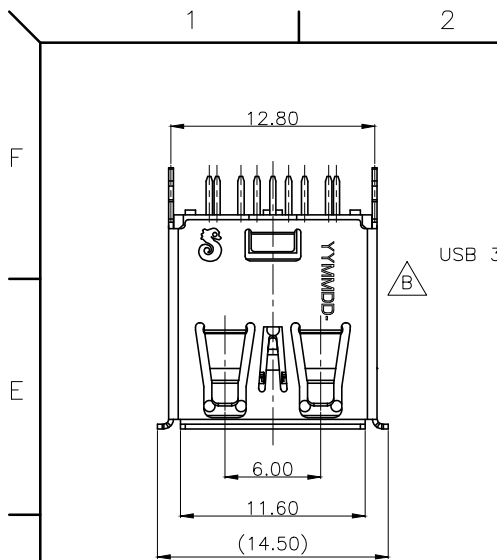
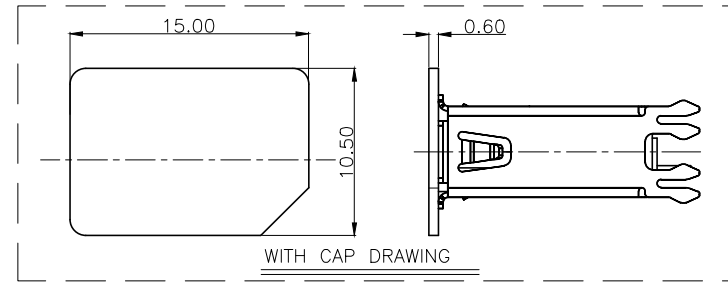


REV.	ECN NO OR DESCRIPTION	REVISED	DATE
A	PDR NO: T150811-1A	Jttlucky	2015.11.27
B	ECN NO: S161014-E	peng	2017.03.03

SPECIFICATIONS:

- ELECTRICAL CHARACTERISTICS:
  - CURRENT RATING: 1.8A (PIN1,4) ; OTHER CONTACTS 0.25A
  - CONTACT RESISTANCE: 30mΩ MAX.
  - DIELECTRIC WITHSTANDING VOLTAGE: 100V AC FOR 1 MINUTE
  - INSULATION RESISTANCE: 100MΩ MIN .
- MECHANICAL CHARACTERISTICS:
  - INSERTION FORCE : 3.5 Kgf MAX.
  - WITHDRAWAL FORCE : 3.5 Kgf MAX.  
INITIAL : 1.0Kgf.  
TEST AFTER : 0.80Kgf.
- DURABILITY: 5,000 CYCLES.
- TO CONFORM TO SINGATRON HAZARDOUS SUBSTANCE FREE SPEC.
- HALOGEN FREE PRODUCT IDENTIFICATION MARK ON JACK:
- HALOGEN FREE PRODUCT IDENTIFICATION LABEL ON PACKAGING:
- IR Reflow.
- DATE : YYMMDD-
- PACKAGING : TAPE & REEL.

REMARK	Pin Number	Signal ASSIGNMENT
USB2.0 CONTACT PIN	PIN 1	VBUS
	PIN 2	D-
	PIN 3	D+
	PIN 4	GND
USB3.0 CONTACT PIN	PIN 5	StdA_SSRX-
	PIN 6	StdA_SSRX+
	PIN 7	GND_DRAIN
	PIN 8	StdA_SSTX-
	PIN 9	StdA_SSTX+



NO	DESCRIPTION	QTY	MATERIAL	PLATING & COLOR
F	CAP	1	PA-9T+30%GF	BLACK
E	SHELL	1	SUS301 1/2H, T=0.30	NICKEL 60u"MIN
D	5 PIN TERMINAL	5	C2680-H, T=0.25	GOLD FLASH CONTACT AREA; MATT.SN 120U" SOLDER TAIL AREA; ALL OVER 80U" NICKEL PLATING.
C	4 PIN TERMINAL	4	C5210-H, T=0.25	
B	BASE	1	PA-9T+30%GF	BLACK
A	BODY	1	PA-9T+30%GF	BLACK
UNLESS OTHERWISE SPECIFIED TOLERANCES		Singatron Enterprise Co., Ltd. 信音企業股份有限公司		
DECIMALS: ANGLES:		TITLE: <b>USB 3.0 CONNECTOR</b>		
X	:±0.5 X :±2°	DWN	peng	PART NO: <b>2UB3903-037101F</b>
X.X	:±0.3 X.X :±1°	CHKD	james	SCALE:4:1 UNIT: mm
X.XX	:±0.2	APVD	boye	SIZE: A3 SHEET: 1 OF 1 REV: <b>B</b>
<b>CUSTOMER COPY</b>				