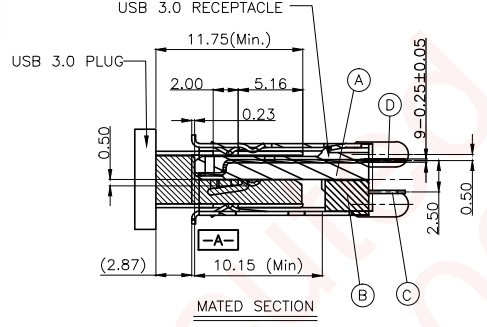
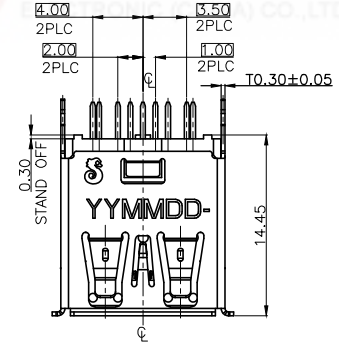
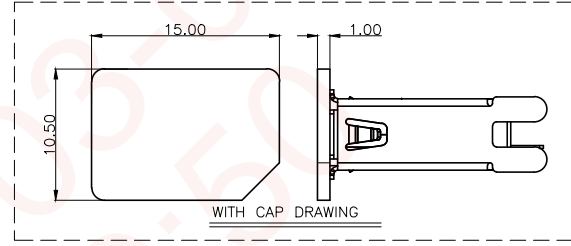


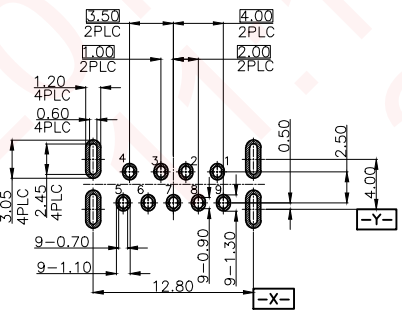
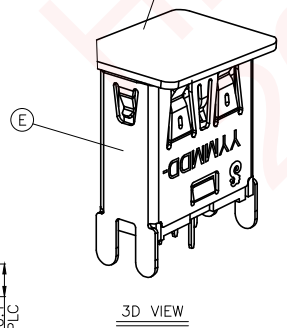
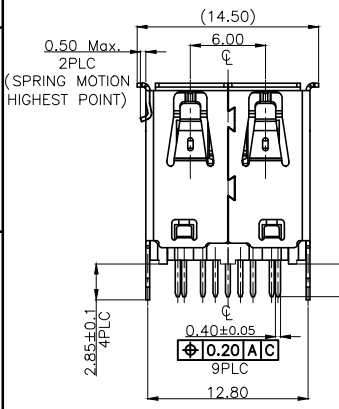
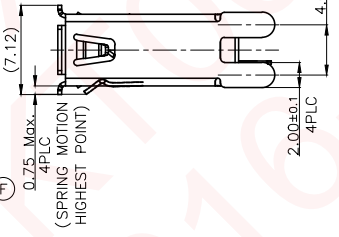
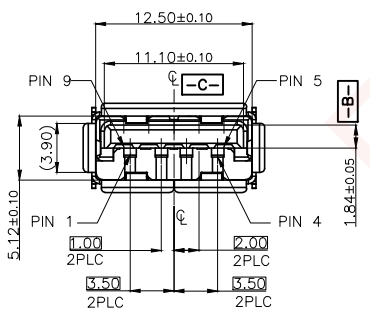
REV.	ECN NO OR DESCRIPTION	REVISED	DATE
A	PDR NO: T150901-2A	PENG	2016.01.18



- SPECIFICATIONS:**
- ELECTRICAL CHARACTERISTICS:**
 - 1-1. CURRENT RATING: 1.8A (PIN1,4) ; OTHER CONTACTS 0.25A
 - 1-2. CONTACT RESISTANCE: 30mΩ MAX.
 - 1-3. DIELECTRIC WITHSTANDING VOLTAGE: 100V AC FOR 1 MINUTE
 - 1-4. INSULATION RESISTANCE: 100MΩ MIN .
 - MECHANICAL CHARACTERISTICS:**
 - 2-1. INSERTION FORCE : 25N MAX.
 - 2-2. WITHDRAWAL FORCE : INITIAL : 10~25N TEST AFTER : 8~25N
 - DURABILITY:** 5,000 CYCLES.
 - TO CONFORM TO SINGATRON HAZARDOUS SUBSTANCE FREE SPEC.
 - HALOGEN FREE PRODUCT IDENTIFICATION MARK ON JACK:
 - HALOGEN FREE PRODUCT IDENTIFICATION LABEL ON PACKAGING:
 - FOR IR REFLOW PROCESS.
 - DATE : YYMMDD-
 - PACKAGING : TAPE&REEL



REMARK	Pin Number	Signal ASSIGNMENT
USB2.0 CONTACT PIN	PIN 1	VBUS
	PIN 2	D-
	PIN 3	D+
	PIN 4	GND
USB3.0 CONTACT PIN	PIN 5	StdA_SSRX-
	PIN 6	StdA_SSRX+
	PIN 7	GND_DRAIN
	PIN 8	StdA_SSTX-
	PIN 9	StdA_SSTX+



Recommended P.C.B Layout(THK:1.6mm)
TOLERANCE=±0.05

F	E	D	C	B	A
CAP	SHELL	5 PIN TERMINAL	4 PIN TERMINAL	BASE	BODY
1	1	5	4	1	1
PA 9T UL94-HB	SUS304,T=0.30	C2680,T=0.25	C5210, T=0.25	PA9T UL94-V0	PA9T UL94-V0
BLACK	NICKEL 60u"MIN	Au 2uin OVER 30uin Pd PLATED ON CONTACT AREA; Mott. Sn 120uin PLATED ON SOLDERING ALL OVER 80uin NICKEL PLATING.		BLUE	BLUE

NO	DESCRIPTION	QTY	MATERIAL	PLATING & COLOR
UNLESS OTHERWISE SPECIFIED TOLERANCES				
			Singatron Enterprise Co., Ltd. 信音企業股份有限公司	
DECIMALS:		ANGLES:		
X	:±0.5	X	:±2°	
X.X	:±0.3	X.X	:±1°	
X.XX	:±0.2			
TITLE		USB 3.0 CONNECTOR		
DWN	PENG	PART NO:2UB3903-045101F		
CHKD		SCALE:4:1	UNIT: mm	
APVD		SIZE: A3	SHEET:1 OF 1	REV:A
CUSTOMER COPY				