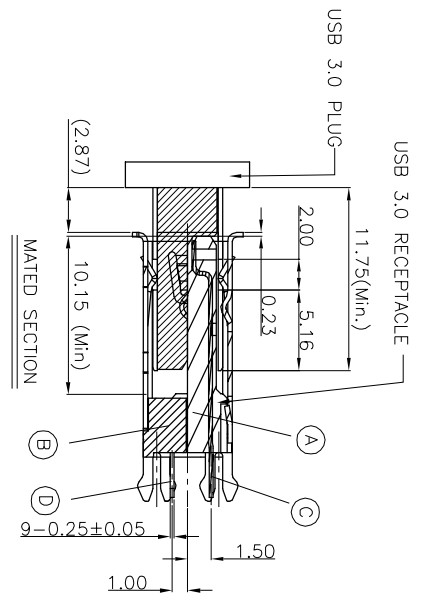
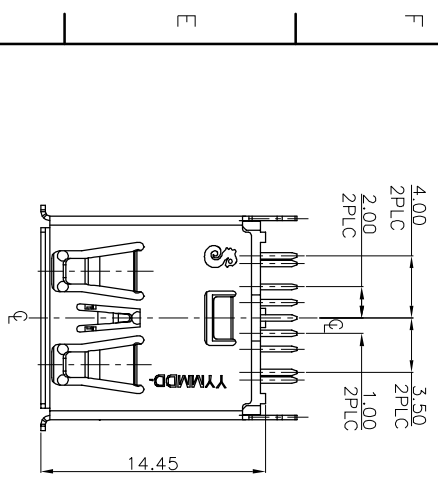
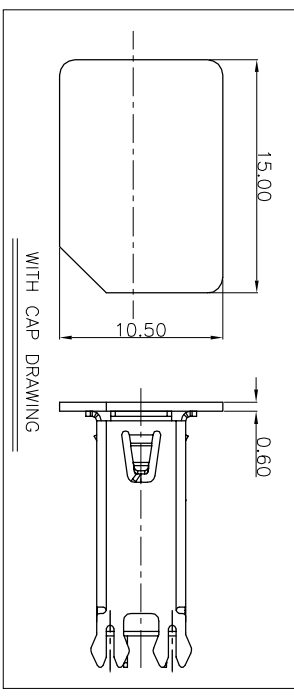
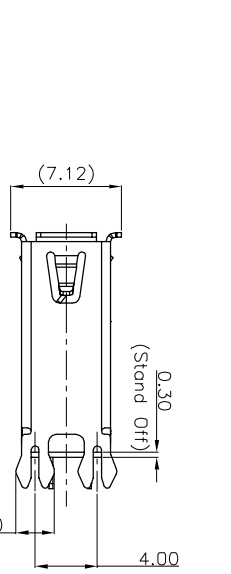
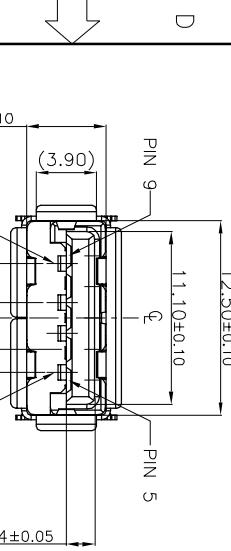
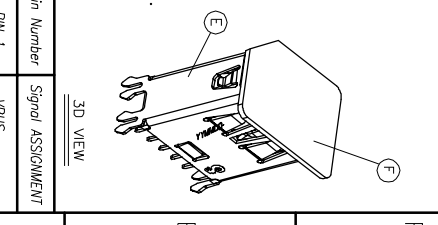


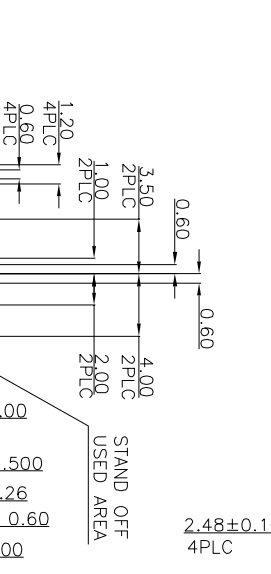
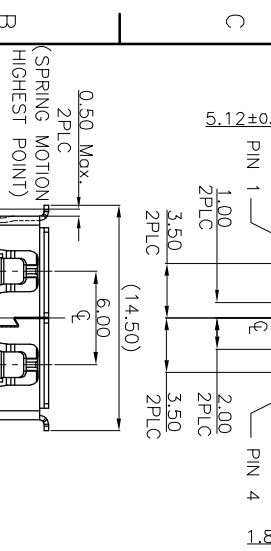
REV	ECN NO OR DESCRIPTION	REVISED	DATE
A	PDR NO: T160714-3A	Eileen	2016.09.26



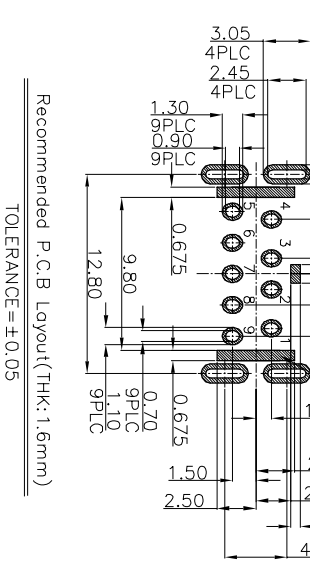
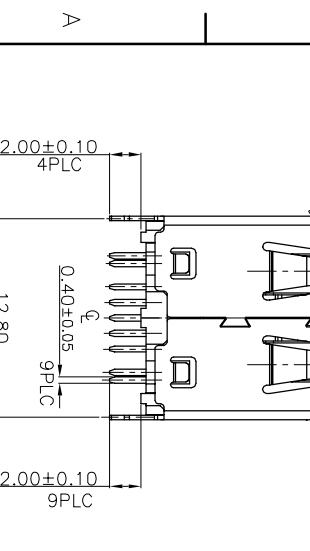
- USB 3.0 RECEPTACLE
1. ELECTRICAL CHARACTERISTICS:
- 1-1. CURRENT RATING: 1.8A (PIN1,4) ; OTHER CONTACTS 0.25A
 - 1-2. CONTACT RESISTANCE: 30mΩ MAX.
 - 1-3. DIELECTRIC WITHSTANDING VOLTAGE: 100V AC FOR 1 MINUTE
 - 1-4. INSULATION RESISTANCE: 100MΩ MIN.
2. MECHANICAL CHARACTERISTICS:
- 2-1. INSERTION FORCE : 25N MAX.
 - 2-2. WITHDRAWAL FORCE : 10N~25N(INITIAL),8N~25N(AFTER TEST)
3. DURABILITY: 5,000 CYCLES.
4. DETAIL SPEC. REFER TO "USB 3.0 GENERAL SPEC. FOR ASUS".
5. TO CONFORM TO SINGATRON HAZARDOUS SUBSTANCE FREE SPEC.
6. HALOGEN PRODUCT IDENTIFICATION MARK ON JACK: Ⓢ
7. HALOGEN PRODUCT IDENTIFICATION LABEL ON PACKAGING: Ⓢ
8. FOR WAVE SOLDERING LEAD-FREE PROCESS.
9. DATE : YMMDD-
10. PACKAGING : TAPE & REEL.



Pin Number	Signal ASSIGNMENT
PIN 1	VBUS
PIN 2	D-
PIN 3	D+
PIN 4	GND
PIN 5	SiDA_SSRX-
PIN 6	SiDA_SSRX+
PIN 7	GND_DRAIN
PIN 8	SiDA_SSTX-
PIN 9	SiDA_SSTX+



F	CAP	1	PA 9T	BLACK
E	SHELL	1	SUS304,T=0.30	NICKEL 60u"MIN
D	4 PIN TERMINAL	5	C2680,T=0.25	Au 2um OVER 50um Pd PLATED ON CONTACT AREA. Metal Sn 120um PLATED ON SOLDERING ALL OVER 80um NICKEL PLATING.
C	4 PIN TERMINAL	4	CS210,T=0.25	
B	BASE	1	PA 9T UL94V-0	BLUE (300C)
A	BODY	1	PA 9T UL94V-0	BLUE (300C)
NO	DESCRIPTION	QTY	MATERIAL	PLATING & COLOR



Recommended P.C.B Layout(THK:1.6mm)

TOLERANCE = ±0.05

DECIMALS:	ANGLES:
X :±0.5	X :±2°
X.X :±0.3	X.X :±1°
X.XX :±0.2	

TITLE	USB 3.0 CONNECTOR
DWN	Eileen PART NO:2UB3903-052101F
CHKD	James SCALE:4:1 UNIT: mm
APVD	Boye SIZE: A3 SHEET: 1 OF 1 REV:4

Singatron Enterprise Co., Ltd.
信譽企業股份有限公司

CUSTOMER COPY