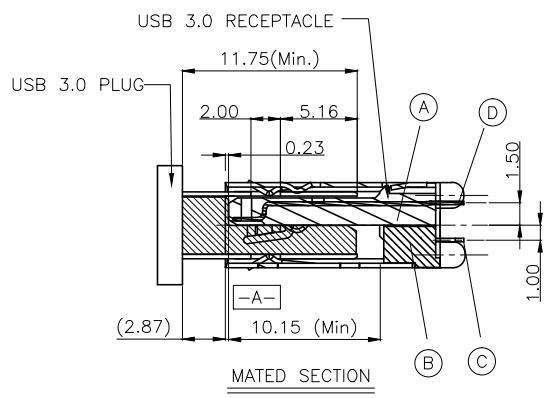
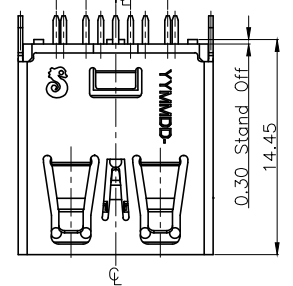
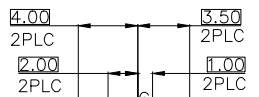


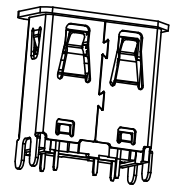
REV.	ECN NO OR DESCRIPTION	REVISED	DATE
A	PDR NO: T161227-4A	Jttlucky	2017.04.11



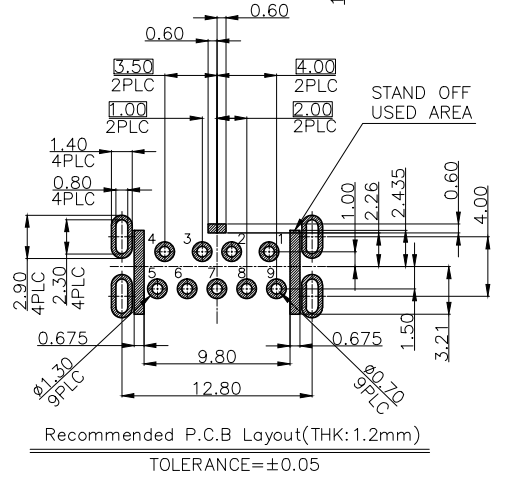
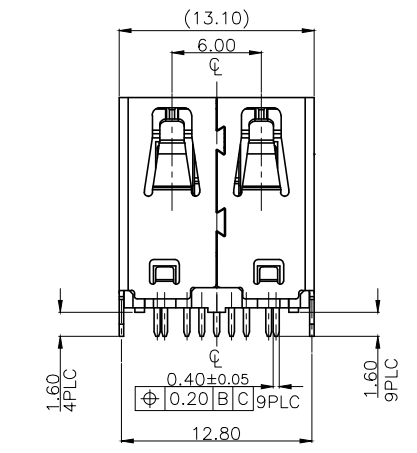
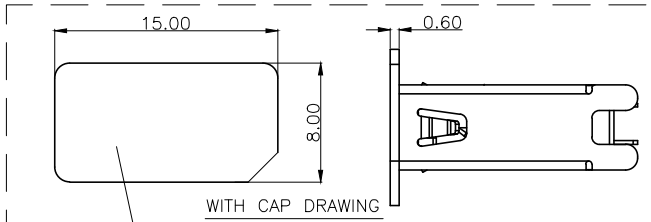
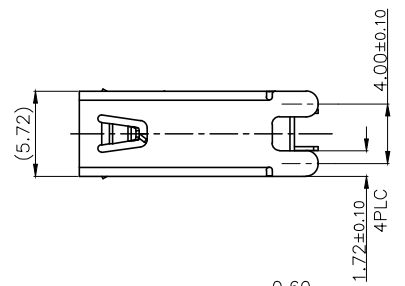
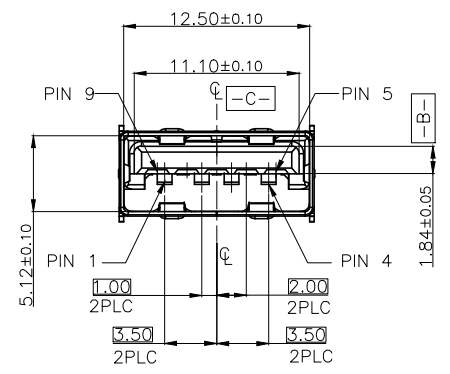
SPECIFICATIONS:

- ELECTRICAL CHARACTERISTICS:**
 - CURRENT RATING: 1.8A (PIN1,4) ; OTHER CONTACTS 0.25A
 - CONTACT RESISTANCE: 30mΩ MAX.
 - DIELECTRIC WITHSTANDING VOLTAGE: 100V AC FOR 1 MINUTE
 - INSULATION RESISTANCE: 100MΩ MIN .
- MECHANICAL CHARACTERISTICS:**
 - INSERTION FORCE : 3.5 Kgf MAX.
 - WITHDRAWAL FORCE : 2.5Kgf MAX.

INITIAL : 1.0~2.5Kgf.
TEST AFTER : 0.80~2.5Kgf.
- DURABILITY:** 5,000 CYCLES.
- TO CONFORM TO SINGATRON HAZARDOUS SUBSTANCE FREE SPEC.
- HALOGEN FREE PRODUCT IDENTIFICATION MARK ON JACK:
- HALOGEN FREE PRODUCT IDENTIFICATION LABEL ON PACKAGING:
- FOR WAVE SOLDERING LEAD-FREE PROCESS.
- DATE : YYMMDD-
- PACKAGING : TAPE&REEL



3D VIEW



Recommended P.C.B Layout(THK: 1.2mm)
TOLERANCE=±0.05

REMARK	Pin Number	SIGNAL ASSIGNMENT
USB2.0 CONTACT PIN	PIN 1	VBUS
	PIN 2	D-
	PIN 3	D+
	PIN 4	GND
USB3.0 CONTACT PIN	PIN 5	StdA_SSRX-
	PIN 6	StdA_SSRX+
	PIN 7	GND_DRAIN
	PIN 8	StdA_SSTX-
	PIN 9	StdA_SSTX+

NO	DESCRIPTION	QTY	MATERIAL	PLATING & COLOR
F	CAP	1	PA9T UL94-HB	BLACK
E	SHELL	1	SUS304,T=0.30	NICKEL 60u"MIN
D	5 PIN TERMINAL	5	C2680-H,T=0.25	Au 2u" PLATED ON CONTACT AREA; Matt. Sn 120uin PLATED ON SOLDERING ALL OVER 80uin NICKET PLATING.
C	4 PIN TERMINAL	4	C5210-H,T=0.25	
B	BASE	1	PA9T UL94V-0	BLUE
A	BODY	1	PA9T UL94V-0	BLUE

UNLESS OTHERWISE SPECIFIED TOLERANCES		Singatron Enterprise Co., Ltd. 信音企業股份有限公司		
DECIMALS:	ANGLES:	TITLE	USB 3.0 CONNECTOR	
X : ±0.5	X : ±2'	DWN	Jttlucky	PART NO: 2UB3903-055101F
X.X : ±0.3	X.X : ±1'	CHKD	James	SCALE: 4:1 UNIT: mm
X.XX : ±0.2		APVD	Boye	SIZE: A3 SHEET: 1 OF 1 REV: A
CUSTOMER COPY				