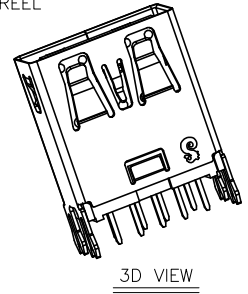
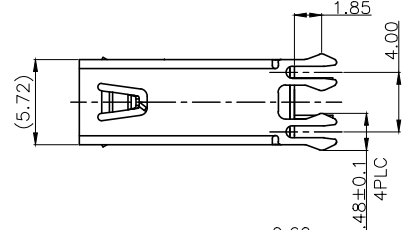
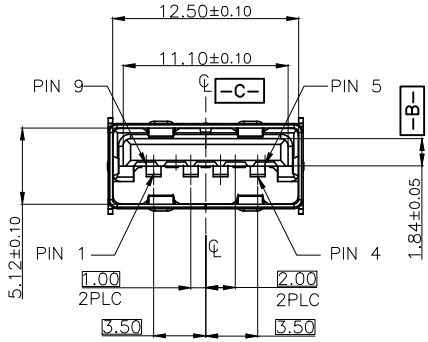
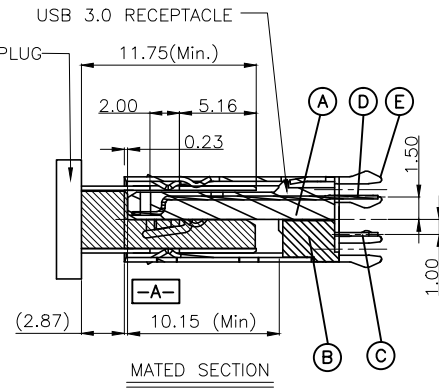
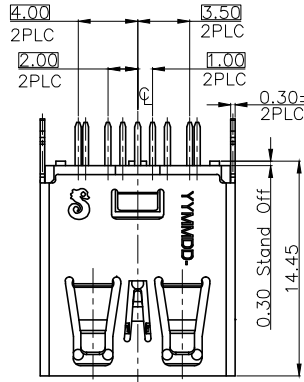


REV.	ECN NO OR DESCRIPTION	REVISED	DATE
A	PDR NO: T170216-1A	Jttlucky	2017.12.19

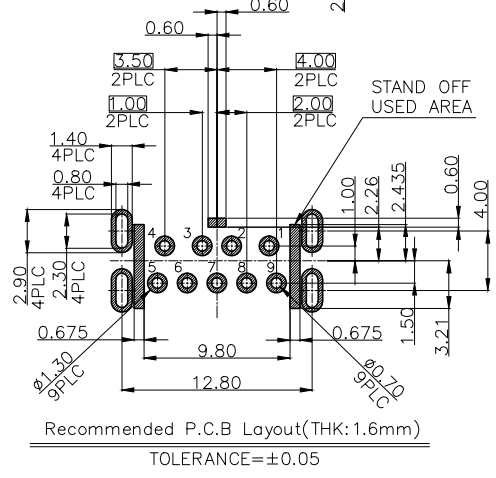
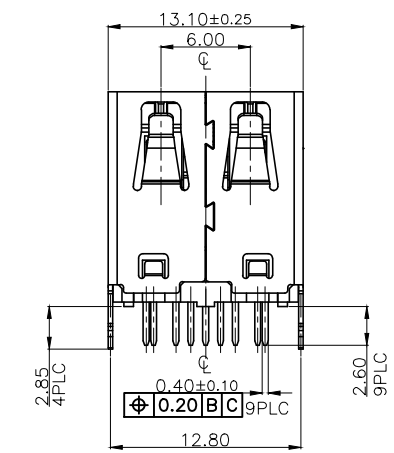
SPECIFICATIONS:

- ELECTRICAL CHARACTERISTICS:
 - CURRENT RATING: 1.8A (PIN1,4) ; OTHER CONTACTS 0.25A
 - CONTACT RESISTANCE: 30mΩ MAX.
 - DIELECTRIC WITHSTANDING VOLTAGE: 100V AC FOR 1 MINUTE
 - INSULATION RESISTANCE: 100MΩ MIN .
- MECHANICAL CHARACTERISTICS:
 - INSERTION FORCE : 3.5 Kgf MAX.
 - WITHDRAWAL FORCE : 2.5Kgf MAX.
INITIAL : 1.0~2.5Kgf.
TEST AFTER : 0.80~2.5Kgf.
- DURABILITY: 5,000 CYCLES.
- TO CONFORM TO SINGATRON HAZARDOUS SUBSTANCE FREE SPEC.
- HALOGEN FREE PRODUCT IDENTIFICATION MARK ON JACK:
- HALOGEN FREE PRODUCT IDENTIFICATION LABEL ON PACKAGING:
- FOR WAVE SOLDERING LEAD-FREE PROCESS.
- DATE : YYMMDD-
- PACKAGING : TAPE&REEL



3D VIEW

REMARK	Pin Number	Signal ASSIGNMENT
USB2.0 CONTACT PIN	PIN 1	VBUS
	PIN 2	D-
	PIN 3	D+
	PIN 4	GND
USB3.0 CONTACT PIN	PIN 5	StdA_SSRX-
	PIN 6	StdA_SSRX+
	PIN 7	GND_DRAIN
	PIN 8	StdA_SSTX-
	PIN 9	StdA_SSTX+



NO	DESCRIPTION	QTY	MATERIAL	PLATING & COLOR
E	SHELL	1	SUS304,T=0.30	NICKEL 60u"MIN
D	5 PIN TERMINAL	5	C2680-H,T=0.25	Au 2u" OVER 30uin Pd/Ni PLATED ON CONTACT AREA; Matt. Sn 120uin PLATED ON SOLDERING ALL OVER 80uin NICKEL PLATING.
C	4 PIN TERMINAL	4	C5210-H,T=0.25	
B	BASE	1	PA9T UL94V-0	BLUE
A	BODY	1	PA9T UL94V-0	BLUE
UNLESS OTHERWISE SPECIFIED TOLERANCES		Singatron Enterprise Co., Ltd. 信音企業股份有限公司		
DECIMALS: ANGLES:		TITLE: USB 3.0 CONNECTOR		
X	:±0.5 X :±2°	DWN	Jttlucky	PART NO:2UB3903-056101F
X.X	:±0.3 X.X :±1°	CHKD	James	SCALE:4:1 UNIT: mm
X.XX	:±0.2	APVD	Boye	SIZE: A3 SHEET:1 OF 1 REV: A
CUSTOMER COPY				