
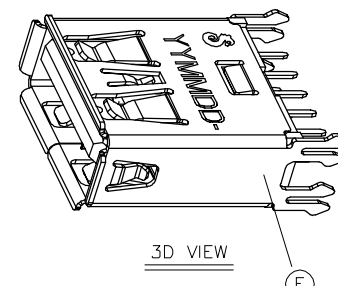
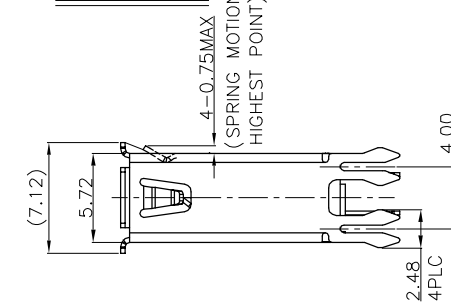
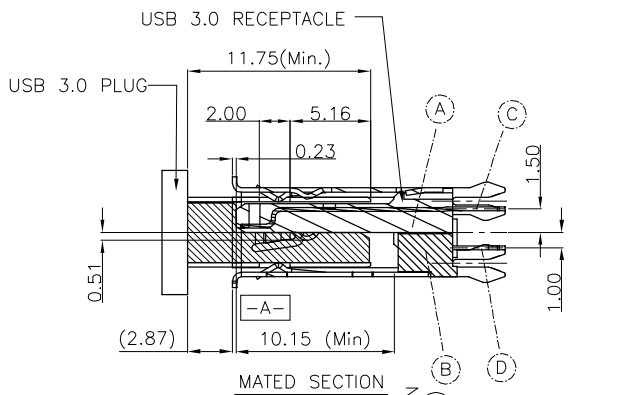


REV.	ECN NO OR DESCRIPTION	REVISED	DATE
A	PDR NO: T171115-2A	PAN	2018.01.10
B	ECN NO: S202003-C10	TAO	2020.03.17

SPECIFICATIONS:


- ELECTRICAL CHARACTERISTICS:
 - CURRENT RATING: 1.8A (PIN1,4) ; OTHER CONTACTS 0.25A
 - CONTACT RESISTANCE: 30mΩ MAX.
 - DIELECTRIC WITHSTANDING VOLTAGE: 100V AC FOR 1 MINUTE
 - INSULATION RESISTANCE: 100MΩ MIN .
- MECHANICAL CHARACTERISTICS:
 - INSERTION FORCE : 3.5 Kgf MAX.
 - WITHDRAWAL FORCE : 3.5Kgf MAX.
 INITIAL : 1.0Kgf.
 TEST AFTER : 0.80Kgf.
- DURABILITY: 5,000 CYCLES.
- TO CONFORM TO SINGATRON HAZARDOUS SUBSTANCE FREE SPEC.
- HALOGEN PRODUCT IDENTIFICATION MARK ON JACK: ☉
- HALOGEN PRODUCT IDENTIFICATION LABEL ON PACKAGING: 
- FOR WAVE SOLDERING LEAD-FREE PROCESS.
- DATE : YYMMDD-
- PACKAGING : TRAY

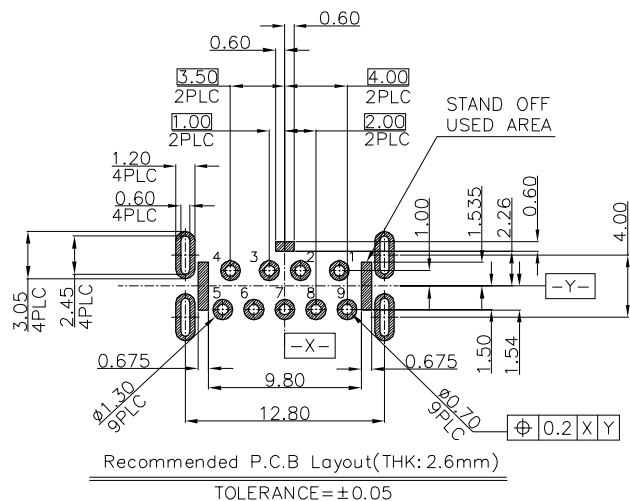
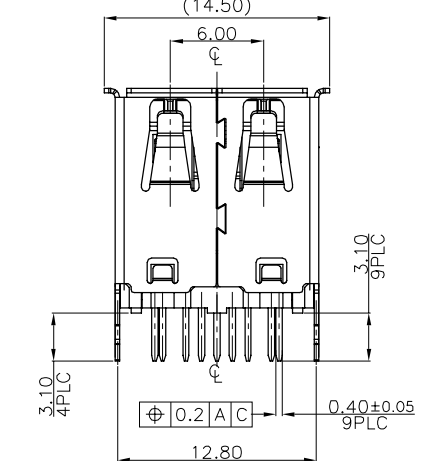
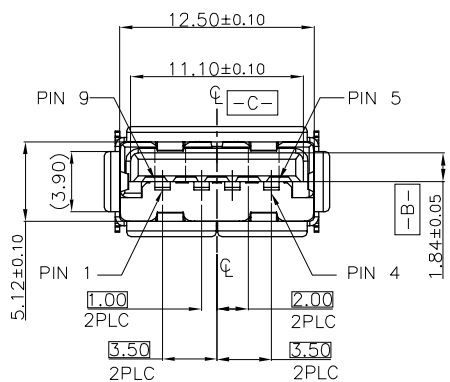
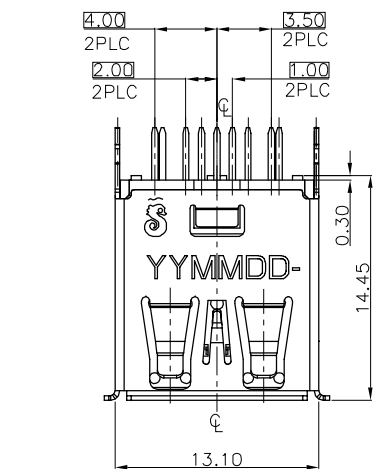


3D VIEW

REMARK	Pin Number	Signal ASSIGNMENT
USB2.0 CONTACT PIN	PIN 1	VBUS
	PIN 2	D-
	PIN 3	D+
	PIN 4	GND
USB3.0 CONTACT PIN	PIN 5	StdA_SSRX-
	PIN 6	StdA_SSRX+
	PIN 7	GND_DRAIN
	PIN 8	StdA_SSTX-
	PIN 9	StdA_SSTX+

E	SHELL	1	STAINLESS STEEL,T=0.30	NICKEL 60u"MIN
D	5 PIN TERMINAL	5	BARSS,T=0.25	Au 2uin OVER 30uin Pd PLATED ON CONTACT AREA; Matte. Sn 120uin PLATED ON SOLDERING ALL OVER 80uin NICKET PLATING.
C	4 PIN TERMINAL	4	COPPER ALLOY, T=0.25	
B	BASE	1	HIGH TEMP.THERMOPLASTIC	BLUE(300C)
A	BODY	1	HIGH TEMP.THERMOPLASTIC	BLUE(300C)

NO	DESCRIPTION	QTY	MATERIAL	PLATING & COLOR
UNLESS OTHERWISE SPECIFIED TOLERANCES			 Singatron Enterprise Co., Ltd. 信音企業股份有限公司	
DECIMALS:		ANGLES:	TITLE	
X	:±0.5	X	:±2°	DWN TAO
X.X	:±0.3	X.X	:±1°	CHKD
X.XX	:±0.2			APVD
			SIZE: A3 SHEET: 1 OF 1 REV: B CUSTOMER COPY	



Recommended P.C.B Layout(THK: 2.6mm)
TOLERANCE=±0.05