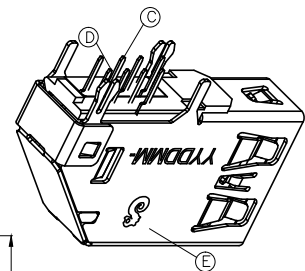
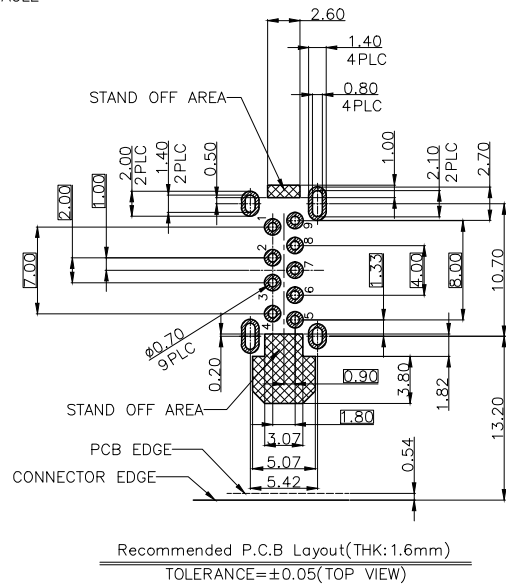
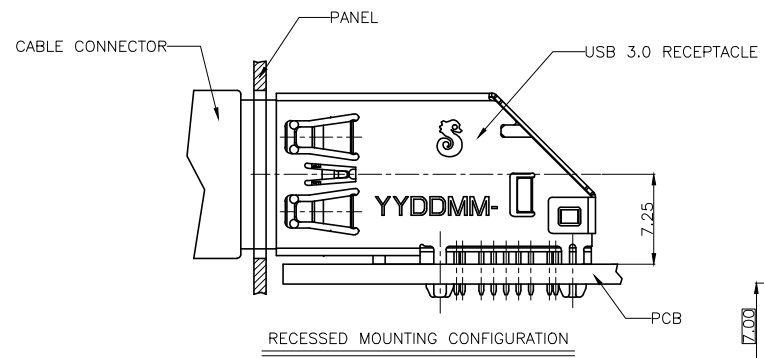
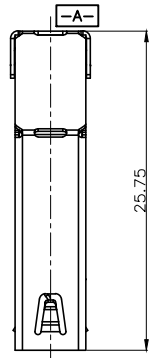
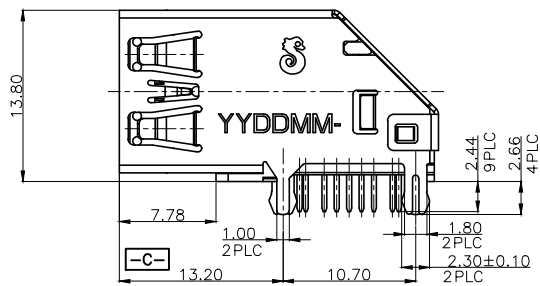
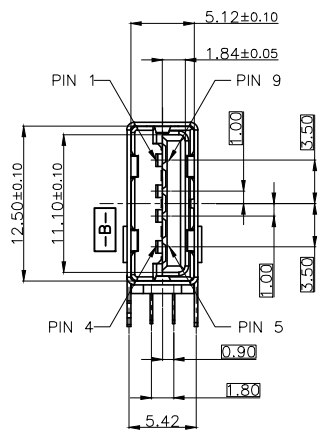


REV.	ECN NO OR DESCRIPTION	REVISED	DATE
A	ECN NO.: S130364	Cerry	2013.06.26
B	ECN NO.: S140411	SEAN	2014.05.13



REMARK	Pin Number	Signal ASSIGNMENT
USB2.0 CONTACT PIN	PIN 1	VBUS
	PIN 2	D-
	PIN 3	D+
	PIN 4	GND
USB3.0 CONTACT PIN	PIN 5	StdA_SSRX-
	PIN 6	StdA_SSRX+
	PIN 7	GND_DRAIN
	PIN 8	StdA_SSTX-
	PIN 9	StdA_SSTX+



- SPECIFICATIONS:**
- ELECTRICAL CHARACTERISTICS:**
 - CURRENT RATING: 1.8A (PIN1,4) ; OTHER CONTACTS 0.25A
 - CONTACT RESISTANCE: 45mΩ MAX.(PIN1,4)50mΩ MAX.(OTHER PIN)
 - DIELECTRIC WITHSTANDING VOLTAGE: 100V AC FOR 1 MINUTE
 - INSULATION RESISTANCE: 100MΩ MIN.
 - MECHANICAL CHARACTERISTICS:**
 - INSERTION FORCE : 3.5 Kgf MAX.
 - WITHDRAWAL FORCE : 1.0~3.5Kgf
INITIAL : 1.0~3.5Kgf.
TEST AFTER : 0.80~3.5Kgf.
 - DURABILITY:** 5,000 CYCLES.
 - MEET USB3.0 STANDARD SPECIFICATION.
 - RECOMMENDED PROCESS: WAVE SOLDER,265±5°C,3-5 SECONDS.
 - TO CONFORM TO SINGATRON HAZARDOUS SUBSTANCE FREE SPEC.
 - HALOGEN FREE PRODUCT IDENTIFICATION MARK ON JACK:
 - HALOGEN FREE PRODUCT IDENTIFICATION LABEL ON PACKAGING:
 - FOR WAVE SOLDERING LEAD-FREE PROCESS.
 - DATE : YYMMDD-
 - PACKAGING : TRAY

NO	DESCRIPTION	QTY	MATERIAL	PLATING & COLOR
E	SHELL	1	STAINLESS STEEL,T=0.30	NICKEL 60u"MIN
D	5 PIN TERMINAL	5	BARSS,T=0.20	Au 2u" OVER 30uin Pd/Ni PLATED ON CONTACT AREA; Matt. Sn 120uin PLATED ON SOLDERING ALL OVER 80uin NICKEL PLATING.
C	4 PIN TERMINAL	4	COPPER ALLOY, T=0.20	
B	BASE	1	PA-9T+30%GF G1300H UL94-HB	BLUE(300C)
A	HOUSING	1	PA-9T+30%GF G1300H UL94-HB	BLUE(300C)
UNLESS OTHERWISE SPECIFIED TOLERANCES				
DECIMALS:			ANGLES:	
X	:±0.5	X	:±2'	
X.X	:±0.3	X.X	:±1'	
X.XX	:±0.2			
TITLE		USB 3.0 CONNECTOR		
DWN	SEAN	PART NO.:2UB3906-100101F		
CHKD	CERRY	SCALE:4:1	UNIT: mm	
APVD	MAX	SIZE: A3	SHEET:1 OF 1	REV:B
CUSTOMER COPY				