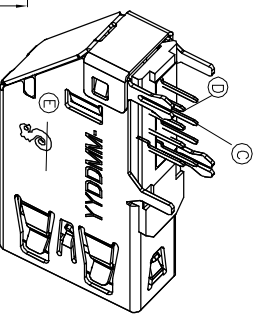
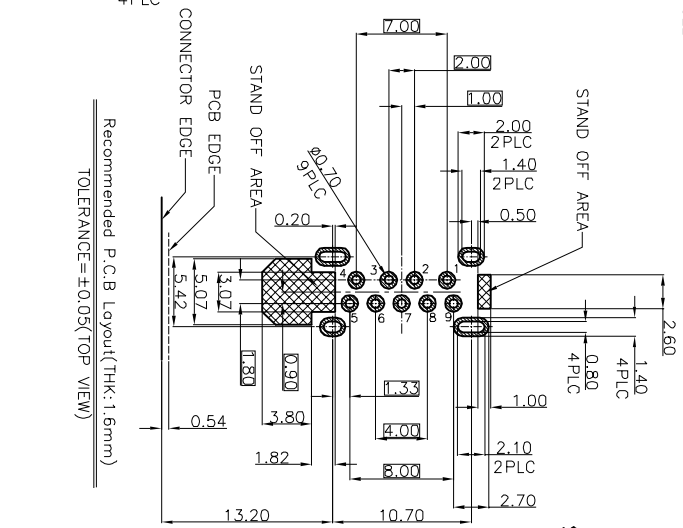
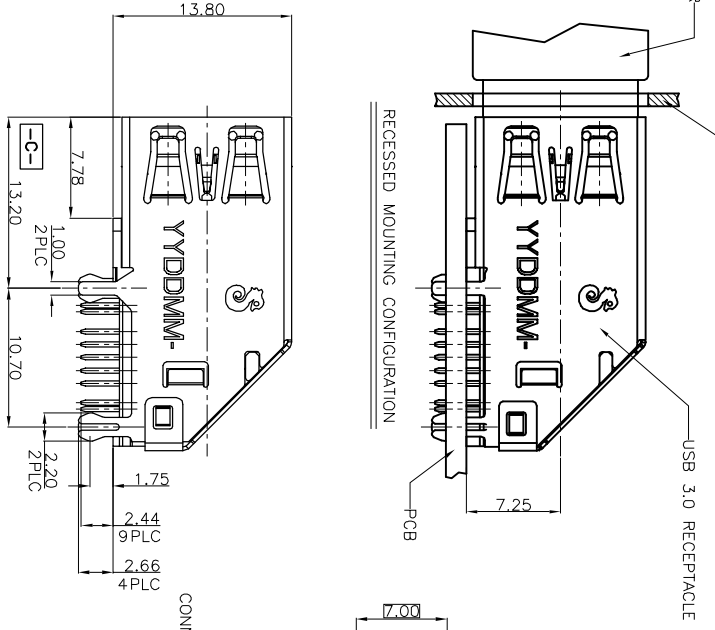


REV	ECN NO	OR DESCRIPTION	REVISED	DATE
A	ECN NO: S130364		Gerry	2013.06.26
B	ECN NO: S181113-C板修正	Charles		2019.02.14
C	ECN NO: S202304-C03	JIANGTAO		2023.04.27



3D VIEW



REMARK	Pin Number	Signal ASSIGNMENT
	PIN 1	VBUS
	PIN 2	D-
	PIN 3	D+
	PIN 4	GND
	PIN 5	SDA_SSPX-
	PIN 6	SDA_SSPX+
	PIN 7	GND_DRAIN
	PIN 8	SDA_SSTX-
	PIN 9	SDA_SSTX+

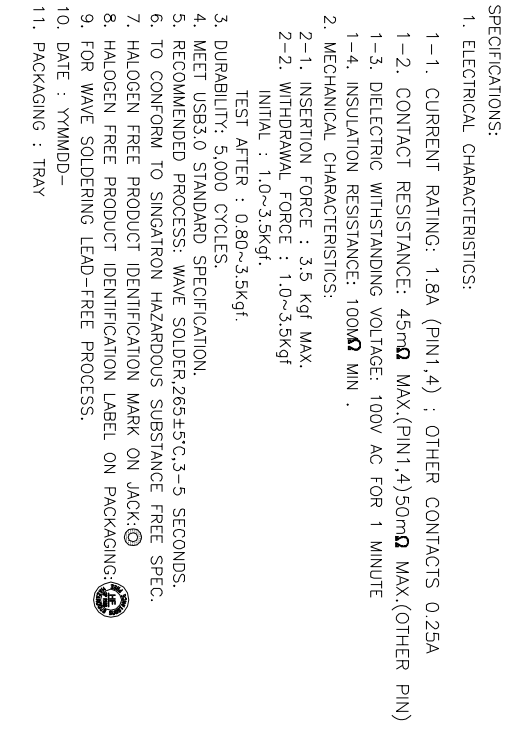
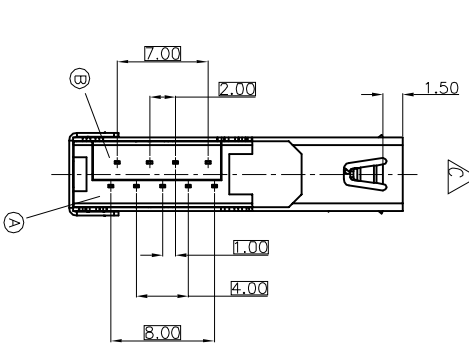
SPECIFICATIONS:

1. ELECTRICAL CHARACTERISTICS:

- 1-1. CURRENT RATING: 1.8A (PIN1,4) ; OTHER CONTACTS 0.25A
  - 1-2. CONTACT RESISTANCE: 45mΩ MAX.(PIN1,4)50mΩ MAX.(OTHER PIN)
  - 1-3. DIELECTRIC WITHSTANDING VOLTAGE: 100V AC FOR 1 MINUTE
  - 1-4. INSULATION RESISTANCE: 100MΩ MIN .
2. MECHANICAL CHARACTERISTICS:
- 2-1. INSERTION FORCE : 3.5 Kgf MAX.
  - 2-2. WITHDRAWAL FORCE : 1.0~3.5Kgf
- TEST AFTER : 0.80~3.5Kgf.

3. DURABILITY: 5,000 CYCLES.

- 4. MEET USB3.0 STANDARD SPECIFICATION.
- 5. RECOMMENDED PROCESS: WAVE SOLDER,265±5°C,3-5 SECONDS.
- 6. TO CONFORM TO SINGATRON HAZARDOUS SUBSTANCE FREE SPEC.
- 7. HALOGEN FREE PRODUCT IDENTIFICATION MARK ON JACK:Ⓢ
- 8. HALOGEN FREE PRODUCT IDENTIFICATION LABEL ON PACKAGING:Ⓢ
- 9. FOR WAVE SOLDERING LEAD-FREE PROCESS.
- 10. DATE : YMMDD-
- 11. PACKAGING : TRAY



NO	DESCRIPTION	QTY	MATERIAL	PLATING & COLOR
A	HOUSING	1	PA-9T+30%GF G1300H	BLACK
B	BASE	1	PA-9T+30%GF G1300H	BLACK
C	4 PIN TERMINAL	4	COPPER ALLOY, T=0.20	
D	5 PIN TERMINAL	5	BARSS,T=0.20	
E	SHELL	1	STAINLESS STEEL,T=0.30	NICKEL 60U "MIN

Recommended P.C.B Layout(THK:1.6mm)  
TOLERANCE=±0.05(TOP VIEW)

DECIMALS:	ANGLES:
X : ±0.5	X : ±2°
X.X : ±0.3	X.X : ±1°
X.XX : ±0.2	

TITLE	PART NO.	REV.
JIANGTAO	2UB3906-101101F	1
CHKD ALLEN	SCALE:4:1	UNIT: mm
APVD BOYE	SIZE: A3	SHEET:1 OF 1

CUSTOMER COPY

Singatron Enterprise Co., Ltd.  
信亨企業股份有限公司