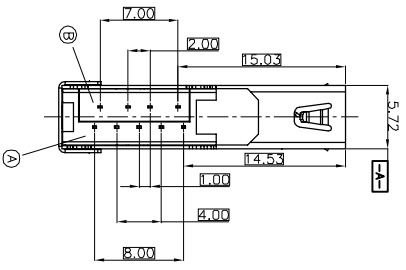
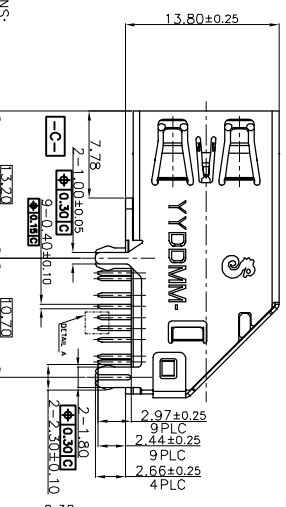
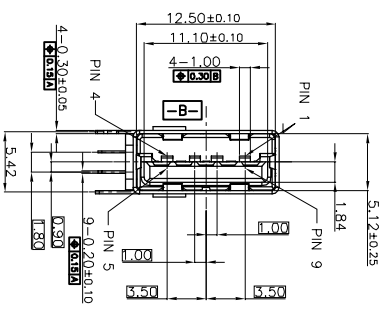
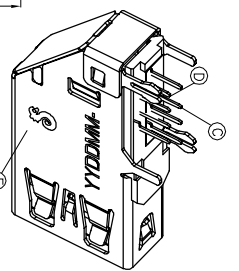
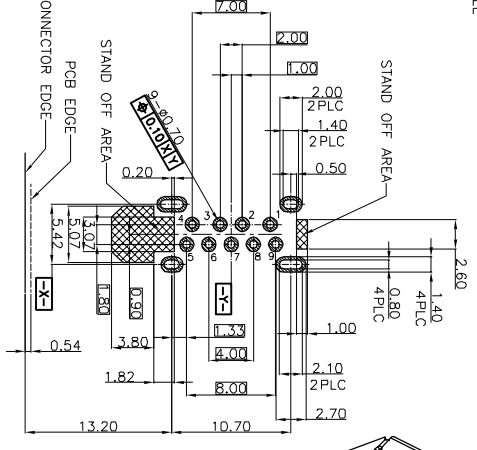
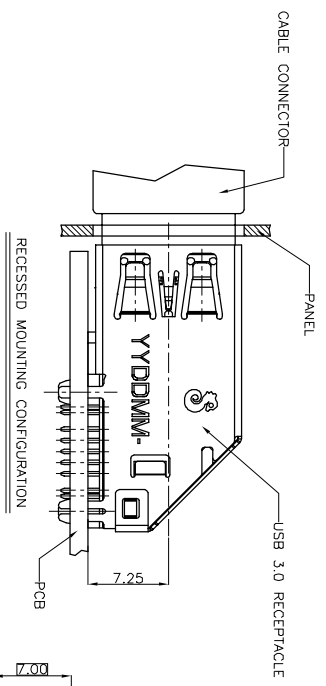
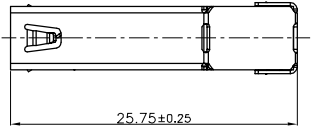


REV.	ECON NO OR DESCRIPTION	REVISED	DATE
A	PDR NO.:J160520-1A	TOMMY	2016.11.24
B	ECON NO.:S170202-C	peng	2017.03.14



SPECIFICATIONS:

- 1. ELECTRICAL CHARACTERISTICS:**
- 1-1. CURRENT RATING: 1.8A (PIN1,4) ; OTHER CONTACTS 0.25A
 - 1-2. CONTACT RESISTANCE: 45mΩ MAX.(PIN1,4)50mΩ MAX.(OTHER PIN)
 - 1-3. DIELECTRIC WITHSTANDING VOLTAGE: 100V AC FOR 1 MINUTE
 - 1-4. INSULATION RESISTANCE: 100MΩ MIN.
- 2. MECHANICAL CHARACTERISTICS:**
- 2-1. INSERTION FORCE : 3.5 KgF MAX.
 - 2-2. WITHDRAWAL FORCE : 1.0~3.5KgF
- TEST AFTER : 0.80~3.5kgf.
- 3. DURABILITY: 5,000 CYCLES.
 - 4. MEET USB3.0 STANDARD SPECIFICATION.
 - 5. RECOMMENDED PROCESS: WAVE SOLDER,265±5°C,3~5 SECONDS.
 - 6. TO CONFORM TO SINGATRON HAZARDOUS SUBSTANCE FREE SPEC.
 - 7. HALOGEN FREE PRODUCT IDENTIFICATION MARK ON JACK:
 - 8. HALOGEN FREE PRODUCT IDENTIFICATION LABEL ON PACKAGING:
 - 9. FOR IR REFLOW PROCESS.
 - 10. DATE : YYMMDD-
 - 11. PACKAGING : TRAY
 - 12. Designed for a minimum normal force of 50 grams
 - 13. Operating temperature -40~105

DETAIL A

SCALE: 2:1

Recommended P.C.B Layout (THICKNESS=1.6mm)
(Component Side) TOLERANCE=±0.05 TOP VIEW

REMARK	Pin Number	Signal ASSIGNMENT
	PIN 1	VBUS
	PIN 2	D-
	PIN 3	D+
	PIN 4	GND
	PIN 5	SIG4-SS7X-
	PIN 6	SIG4-SS7X+
	PIN 7	GND_DRAIN
	PIN 8	SIG4-SS7X-
	PIN 9	SIG4-SS7X+

NO	DESCRIPTION	QTY	MATERIAL	PLATING & COLOR
E	SHELL	1	SUS304-1/2H J=0.3	NICKEL 60U MIN
D	5 PIN TERMINAL	5	C2680-H 0.2T	As 15u" PLATED ON CONTACT AREA Matl. Sn 120u" PLATED ON SOLDERING ALL OVER BODY NICKEL PLATING
C	4 PIN TERMINAL	4	C5210-H 0.2T	
B	BASE	1	PA-9T+45%GF GP2450-2 UL 94V-0	BLUE(300C)
A	HOUSING	1	UL 94V-0	

UNLESS OTHERWISE SPECIFIED TOLERANCES

DECIMALS: ANGLES:

X :±0.5 X :±.27
 X.X :±0.3 X.X :±.1
 X.XX :±0.2

TITLE

USB 3.0 CONNECTOR

PART NO.:UBB3006-102101F

SCALE:4:1 UNIT: mm

SHEET 1 OF 1 REV:B

CUSTOMER COPY