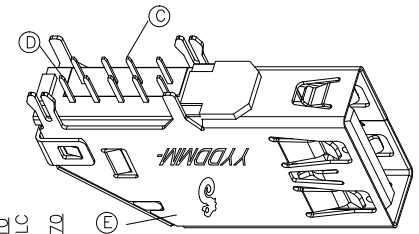
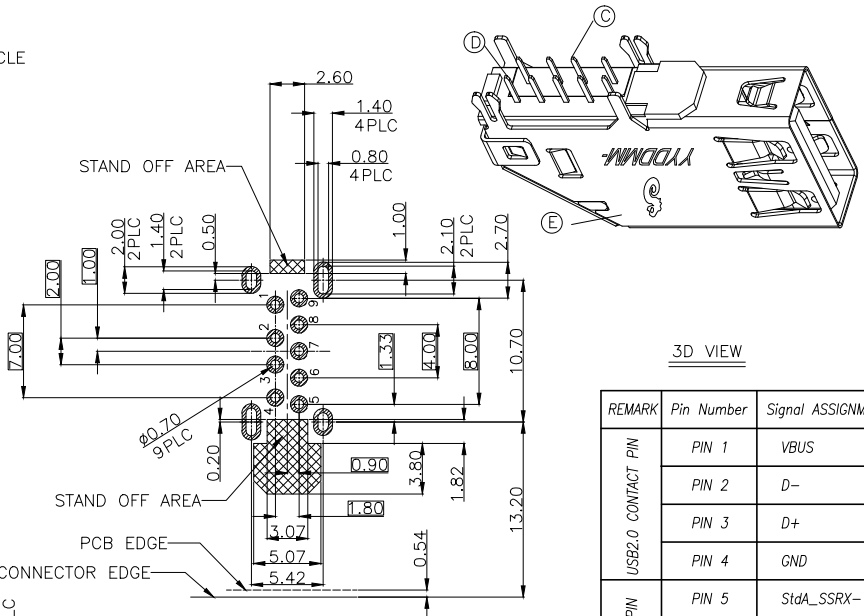
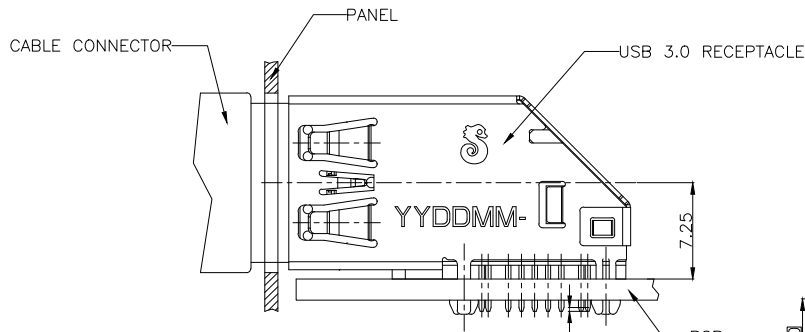
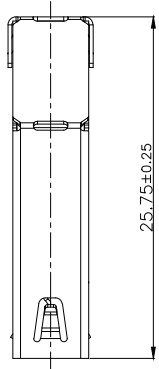


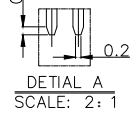
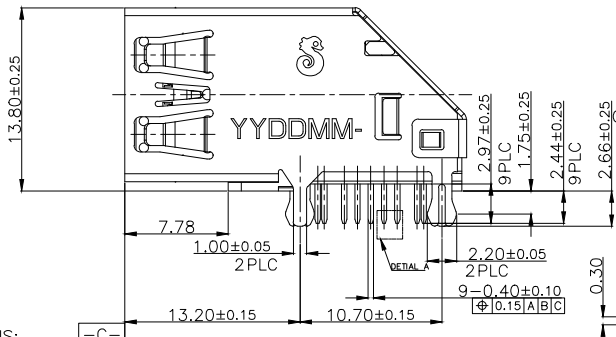
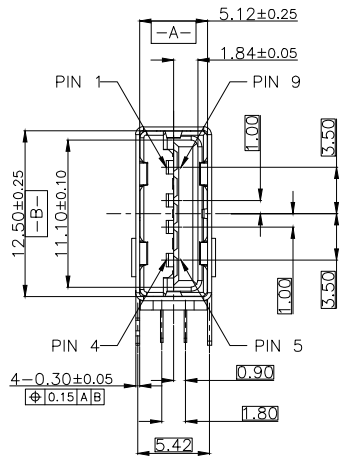
REV.	ECN NO OR DESCRIPTION	REVISED	DATE
A	PDR NO: T160614-6A	TOMMY	2016.08.01



3D VIEW

REMARK	Pin Number	SIGNAL ASSIGNMENT
USB2.0 CONTACT PIN	PIN 1	VBUS
	PIN 2	D-
	PIN 3	D+
	PIN 4	GND
USB3.0 CONTACT PIN	PIN 5	StdA_SSRX-
	PIN 6	StdA_SSRX+
	PIN 7	GND_DRAIN
	PIN 8	StdA_SSTX-
	PIN 9	StdA_SSTX+

Recommended P.C.B Layout (THK: 1.6mm)
TOLERANCE = ±0.05 (TOP VIEW)



SPECIFICATIONS:

- ELECTRICAL CHARACTERISTICS:
 - CURRENT RATING: 1.8A (PIN1,4) ; OTHER CONTACTS 0.25A
 - CONTACT RESISTANCE: 45mΩ MAX.(PIN1,4) 50mΩ MAX.(OTHER PIN)
 - DIELECTRIC WITHSTANDING VOLTAGE: 100V AC FOR 1 MINUTE
 - INSULATION RESISTANCE: 100MΩ MIN .
- MECHANICAL CHARACTERISTICS:
 - INSERTION FORCE : 3.5 Kgf MAX.
 - WITHDRAWAL FORCE : 1.0~3.5Kgf
INITIAL : 1.0~3.5Kgf.
TEST AFTER : 0.80~3.5Kgf.
- DURABILITY: 5,000 CYCLES.
- MEET USB3.0 STANDARD SPECIFICATION.
- RECOMMENDED PROCESS: WAVE SOLDER, 265±5°C, 3-5 SECONDS.
- TO CONFORM TO SINGATRON HAZARDOUS SUBSTANCE FREE SPEC.
- HALOGEN FREE PRODUCT IDENTIFICATION MARK ON JACK:
- HALOGEN FREE PRODUCT IDENTIFICATION LABEL ON PACKAGING:
- FOR WAVE SOLDERING LEAD-FREE PROCESS.
- DATE : YYMMDD-
- PACKAGING : TRAY
- Designed for a minimum normal force of 50 grams
- Operating temperature -40~105(85)°

NO	DESCRIPTION	QTY	MATERIAL	PLATING & COLOR
E	SHELL	1	SUS304-1/2H ,T=0.3	NICKEL 60u"MIN
D	5 PIN TERMINAL	5	C2680-H 0.2T	AU 15u" PLATED ON CONTACT AREA;
C	4 PIN TERMINAL	4	C5210-H 0.2T	Matt. Sn 120uin PLATED ON SOLDERING ALL OVER 80uin NICKET PLATING.
B	BASE	1	PA-9T+30%GF G1300H(無鉛)	BLACK
A	HOUSING	1	PA-9T+30%GF G1300H(無鉛)	BLACK
UNLESS OTHERWISE SPECIFIED TOLERANCES		Singatron Enterprise Co., Ltd. 		
DECIMALS: ANGLES:		TITLE: USB 3.0 CONNECTOR		
X	:±0.5	X	:±2°	DWN TOMMY PART NO: 2UB3906-103101F
X.X	:±0.3	X.X	:±1°	CHKD SCALE: 4:1 UNIT: mm
X.XX	:±0.2	APVD	SIZE: A3 SHEET: 1 OF 1	REV: A
CUSTOMER COPY				