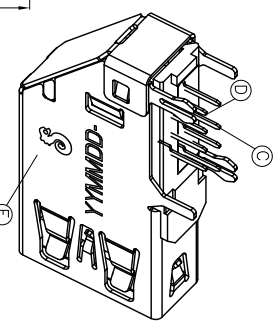
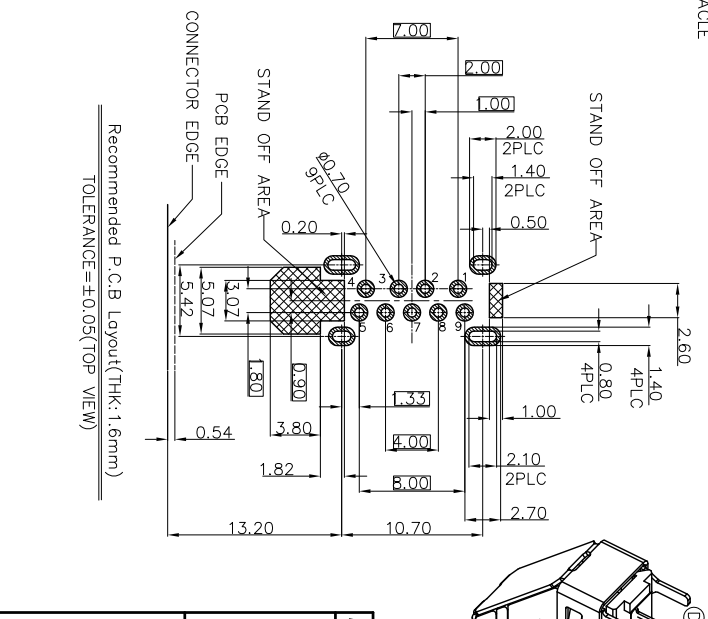


REV.	ECN NO OR DESCRIPTION	REVISED	DATE
A	PDR NO : T140206-3A	Edi.Zhou	2014.04.18



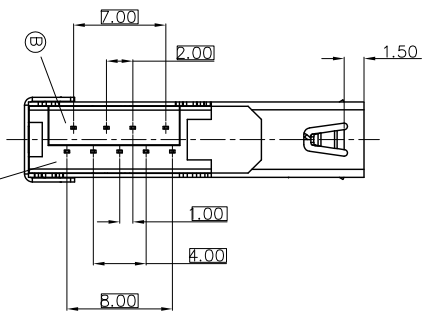
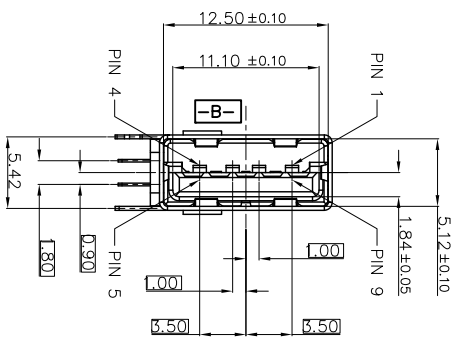
3D VIEW



REMARK	Pin Number	Signal ASSIGNMENT
USB3.0 CONTACT PIN	PIN 1	VBUS
	PIN 2	D-
	PIN 3	D+
	PIN 4	GND
	PIN 5	SDA_SSRX-
	PIN 6	SDA_SSRX+
	PIN 7	GND_DRAIN
	PIN 8	SDA_SSTX-
	PIN 9	SDA_SSTX+

SPECIFICATIONS:

- ELECTRICAL CHARACTERISTICS:
 - CURRENT RATING: 1.8A (PIN1,4) ; OTHER CONTACTS 0.25A
 - CONTACT RESISTANCE: 45mΩ MAX.(PIN1,4)50mΩ MAX.(OTHER PIN)
 - DILECTRIC WITHSTANDING VOLTAGE: 100V AC FOR 1 MINUTE
 - INSULATION RESISTANCE: 100MΩ MIN.
- MECHANICAL CHARACTERISTICS:
 - INSERTION FORCE : 3.5 Kgf MAX.
 - WITHDRAWAL FORCE : 1.0~3.5Kgf
INITIAL : 1.0~3.5Kgf
TEST AFTER : 0.80~3.5Kgf.
 - DURABILITY: 5,000 CYCLES.
 - MEET USB3.0 STANDARD SPECIFICATION.
 - RECOMMENDED PROCESS: WAVE SOLDER,265±5°C,3-5 SECONDS.
 - TO CONFORM TO SINGATRON HAZARDOUS SUBSTANCE FREE SPEC.
 - HALOGEN FREE PRODUCT IDENTIFICATION MARK ON JACK:
 - HALOGEN FREE PRODUCT IDENTIFICATION LABEL ON PACKAGING:
 - FOR WAVE SOLDERING LEAD-FREE PROCESS.
 - DATE : YMMDD-
 - PACKAGING : TRAY



NO	DESCRIPTION	QTY	MATERIAL	PLATING & COLOR
E	SHELL	1	STAINLESS STEEL,T=0.30	NICKEL 60μ"MIN
D	5 PIN TERMINAL	5	BARSS,T=0.20	6/F PLATED ON CONTACT AREA, Mat: Sn 120um PLATED ON SOLDERING ALL OVER BOUN NICKEL PLATING.
C	4 PIN TERMINAL	4	COPPER ALLOY, T=0.20	
B	BASE	1	PA-9T+45%GF UL94V-0	BLUE(300C)
A	HOUSING	1	PA-9T+45GF UL94V-0	BLUE(300C)

UNLESS OTHERWISE SPECIFIED TOLERANCES

Singatron Enterprise Co., Ltd.
信音企業股份有限公司

USB 3.0 CONNECTOR

TITLE	DECIMALS:	ANGLES:
DWN	:±0.5	X : ±2°
CHKD	:±0.3	X.X : ±1°
APVD	:±0.2	X.XX : ±0.2

PART NO:2UB3906-300101F

SCALE:4:1

UNIT: mm

SIZE: A3

SHEET: 1 OF 1

REV:A

CUSTOMER COPY