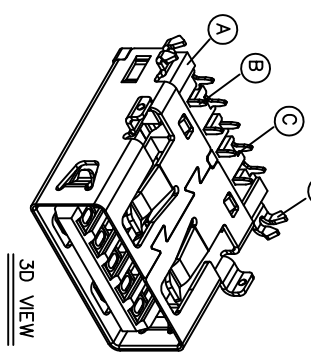
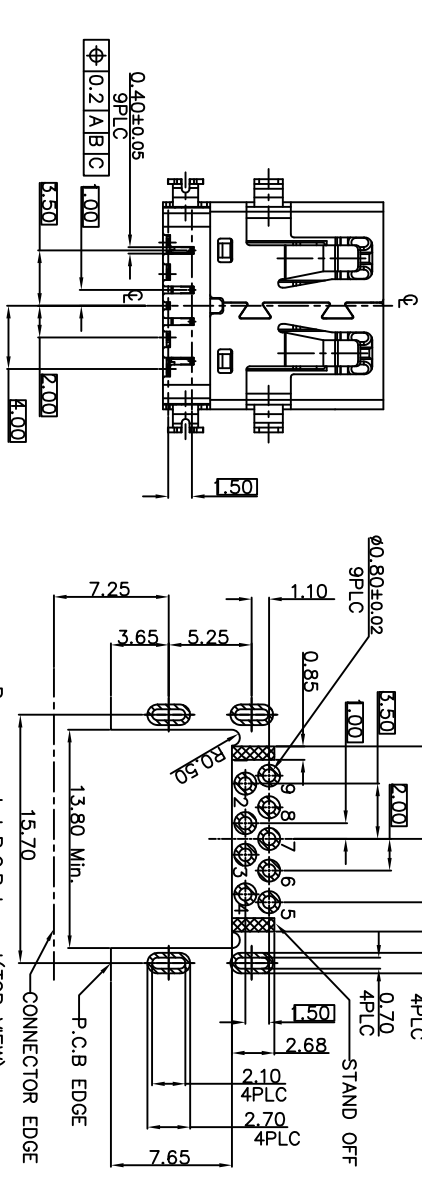
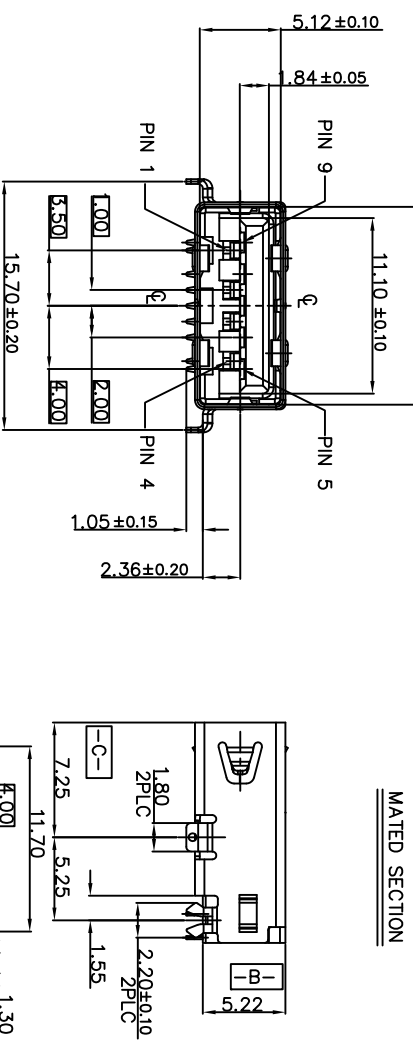
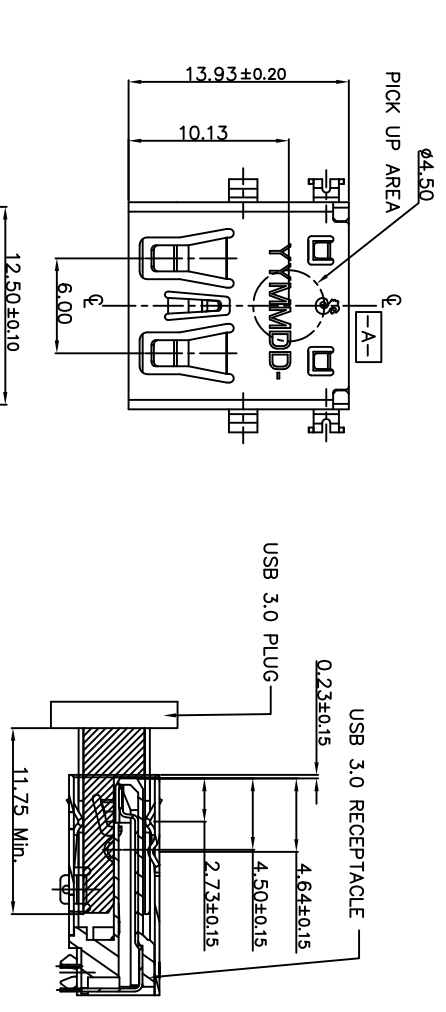


| REV. | ECN NO OR DESCRIPTION | REVISED | DATE |
|------|-----------------------|---------|-----------|
| A | PDR NO: T121126-10A | EDI | 2013.3.20 |

- SPECIFICATIONS:**
- ELECTRICAL CHARACTERISTICS:**
 - CURRENT RATING: 1.8A (PIN1,4) ; OTHER CONTACTS 0.25A
 - CONTACT RESISTANCE: 30mΩ MAX INITIAL FOR PIN 1-4, 50mΩ MAX INITIAL FOR OTHER PIN.
 - DIELECTRIC WITHSTANDING VOLTAGE:** 100V AC FOR 1 MINUTE
 - INSULATION RESISTANCE:** 100MΩ MIN.
 - MECHANICAL CHARACTERISTICS:**
 - INSULATION RESISTANCE: 100MΩ MIN.
 - INSERTION FORCE : 3.5 Kgf MAX.
 - WITHDRAWAL FORCE : 3.5Kgf MAX. INITIAL : 1.0Kgf.
- TEST AFTER : 0.80Kgf.
- DURABILITY: 5,000 CYCLES.
 - TO CONFORM TO SINGATRON HAZARDOUS SUBSTANCE FREE SPEC.
 - HALOGEN PRODUCT IDENTIFICATION MARK ON JACK:
 - FOR WAVE SOLDERING LEAD-FREE PROCESS.
 - DATE : YMMD-
 - PACKAGING : TAPE & REEL



| REMARK | USB3.0 CONTACT PIN | | USB2.0 CONTACT PIN | |
|--------|--------------------|-------------------|--------------------|-------------------|
| | Pin Number | Signal ASSIGNMENT | Pin Number | Signal ASSIGNMENT |
| | PIN 1 | VBUS | PIN 1 | D- |
| | PIN 2 | D- | PIN 2 | D+ |
| | PIN 3 | D+ | PIN 3 | D- |
| | PIN 4 | GND | PIN 4 | GND |
| | PIN 5 | SIDA_SSRX- | PIN 5 | SIDA_SSRX- |
| | PIN 6 | SIDA_SSRX+ | PIN 6 | SIDA_SSRX+ |
| | PIN 7 | GND_DRAIN | PIN 7 | GND_DRAIN |
| | PIN 8 | SIDA_SSTX- | PIN 8 | SIDA_SSTX- |
| | PIN 9 | SIDA_SSTX+ | PIN 9 | SIDA_SSTX+ |

| NO | DESCRIPTION | QTY | MATERIAL | PLATING & COLOR |
|----|----------------|-----|-------------------------|--|
| D | SHELL | 1 | STAINLESS STEEL, T=0.30 | NICKEL 60U "MIN |
| C | 5 PIN TERMINAL | 5 | BARSS, T=0.20 | Au 2um OVER 30um Pd/Pt PLATED ON CONTACT AREA. 5μ 120um PLATED ON SOLDERING ALL OVER 80um NICKEL PLATING. |
| B | 4 PIN TERMINAL | 4 | COPPER ALLOY, T=0.20 | |
| A | BODY | 1 | HIGH TEMP.THERMOPLASTIC | BLACK |

| DECIMALS: | ANGLES: | TITLE | UNLESS OTHERWISE SPECIFIED TOLERANCES |
|-------------|-----------|---|---------------------------------------|
| X : ±0.5 | X : ±2° | USB 3.0 A TYPE FEMALE R./SINKING, CH=2.36 | |
| X.X : ±0.3 | X.X : ±1° | DWN DWN020320 | |
| X.XX : ±0.2 | | CHKD DWE 201310 | |
| | | APVD DWM 201310 | |

Singatron Enterprise Co., Ltd.
 信音企業股份有限公司

PART NO: 2UB3907-003101F
 SCALE: 4:1 UNIT: mm
 SIZE: A3 SHEET: 1 OF 1 REV: A
CUSTOMER COPY