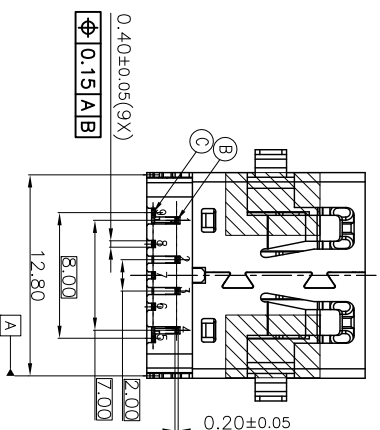
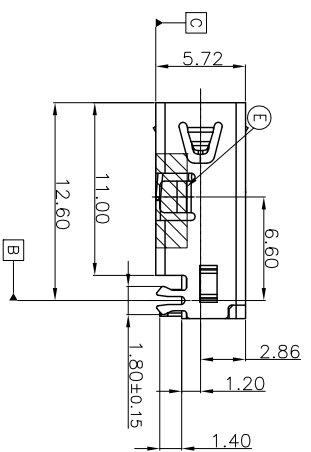
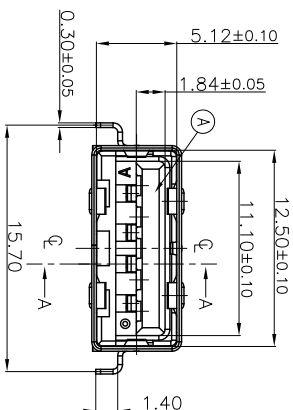
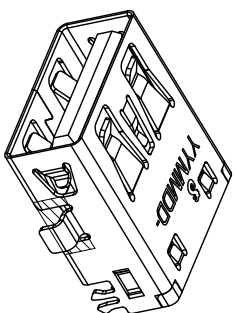


Recommended P.C.B Layout(TOP VIEW)  
(THK:1.0mm) TOLERANCE=±0.03



REV.	ECN NO OR DESCRIPTION	REVISED	DATE
A.	PDR NO: T131028-9A	fy	2014.03.18
B	ECN NO:S141016	SEAN	2014.12.04

- SPECIFICATIONS:
- ELECTRICAL CHARACTERISTICS:
    - CURRENT RATING: 1.8A (PIN1,4) ; OTHER CONTACTS 0.25A
    - CONTACT RESISTANCE: 30mΩ MAX INITIAL FOR PIN 1-4, 50mΩ MAX INITIAL FOR OTHER PIN.
  - 1-3. DIELECTRIC WITHSTANDING VOLTAGE: 100V AC FOR 1 MINUTE
  - 1-4. INSULATION RESISTANCE: 100MΩ MIN .
  - MECHANICAL CHARACTERISTICS:
    - INSERTION FORCE : 3.5 Kgf MAX.
    - WITHDRAWAL FORCE : 1.0 Kgf MIN(INITIAL),0.8 Kgf(AFTER TEST)
  - DURABILITY: 5,000 CYCLES.
  - TO CONFORM TO SINGATRON HAZARDOUS SUBSTANCE FREE SPEC.
  - HALOGEN FREE IDENTIFICATION MARK ON JACK: Ⓢ
  - HALOGEN FREE IDENTIFICATION LABEL ON PACKAGING: Ⓢ
  - FOR IR REFLOW PROCESS.
  - DATE : YMMDD-
  - PACKAGING : TAPE & REEL



REMARK	Pin Number	Signal ASSIGNMENT
	PIN 1	VBUS
	PIN 2	D-
	PIN 3	D+
	PIN 4	GND
	PIN 5	SIG_A_SSRX-
	PIN 6	SIG_A_SSRX+
	PIN 7	GND_DRAIN
	PIN 8	SIG_B_SSTX-
	PIN 9	SIG_B_SSTX+

E	MYLAR	2	6.00X6.00mm	YELLOW
D	SHELL	1	SUS304 1/2H, T=0.30	NICKEL 60µin MIN
C	5 PIN TERMINAL	5	C2680-H ,T=0.20	Has 2µin OVER 30µin Pd/Ni PLATED ON CONTACT AREA. Mater Sn 120µin PLATED ON SOLDERING ALL OVER 80µin NICKEL PLATING.
B	4 PIN TERMINAL	4	C5210-EH ,T=0.20	
A	BODY	1	PA4T+30%GF,UL94-V0	BLACK
NO	DESCRIPTION	QTY	MATERIAL	PLATING & COLOR
UNLESS OTHERWISE SPECIFIED TOLERANCES				
Singapore Enterprise Co., Ltd. 信音企業股份有限公司				
TITLE: USB 3.0 STD CONNECTOR				
DECIMALS:	ANGLES:			
X : ±0.5	X : ±2°			
X.X : ±0.3	X.X : ±1'			
X.XX : ±0.2				
CUSTOMER COPY				